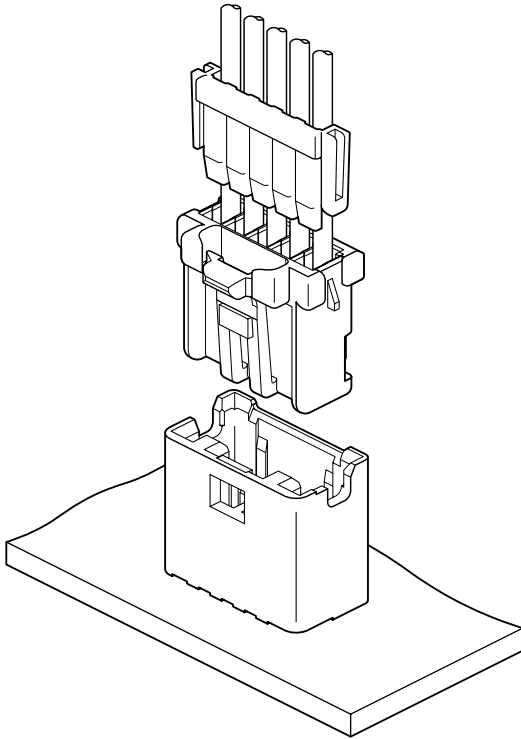


# PNI CONNECTOR

2.0mm pitch/Disconnectable Crimp style connectors



**This is a 2.0mm pitch wire-to-board connector, having incomplete mating prevention mechanism.**

- Inertial lock structure
- Finger-friendly design
- Secure locking structure

## Specifications

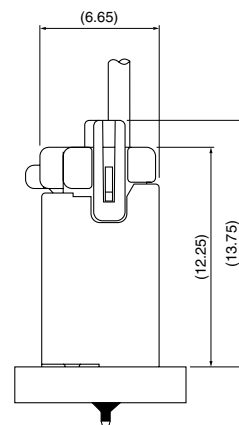
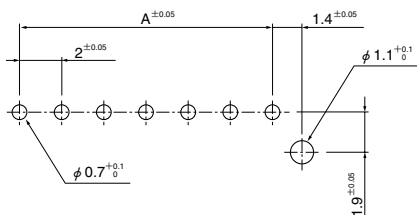
- Current rating: 3 A AC, DC (AWG #22)
- Voltage rating: 100 V AC, DC
- Temperature range: -25°C to +85°C  
(including temperature rise in applying electrical current)
- Contact resistance: Initial value/ 10 mΩ max.  
After environmental tests/ 20 mΩ max.
- Insulation resistance: 1,000 MΩ min.
- Withstanding voltage: 800 VAC/minute
- Applicable wire: Conductor size/ AWG #28 to #22  
Insulation O.D./ 0.76 to 1.5 mm
- Applicable PC board thickness: 1.6 mm

- \* Refer to "General Instruction and Notice when using Terminals and Connectors" at the end of this catalog.
- \* Contact JST for details.
- \* Compliant with RoHS.

## Standards

Ⓜ Recognized E60389

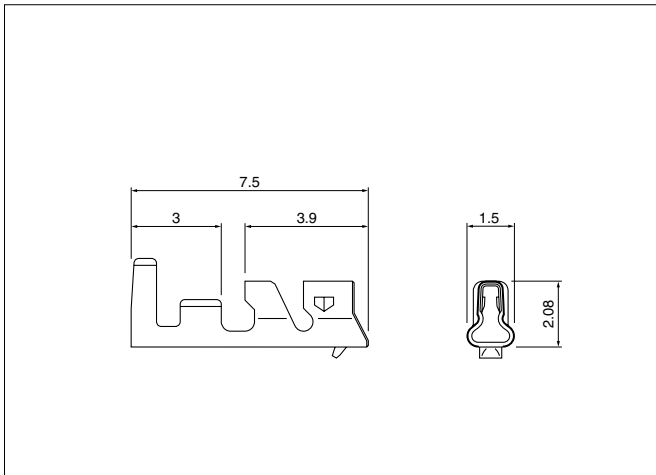
Ⓢ Certified LR20812



Note: 1. The above figure is the figure viewed from the connector mounting side.  
2. Tolerances are non-cumulative: ±0.05mm for all centers.  
3. Hole dimensions differ according to the type of PC board and piercing method.  
The dimensions above should serve as a guideline. Contact JST for details.

# PNI CONNECTOR

## Contact



Model No.	Applicable wire		Insulation O.D. (mm)	Q'ty / reel
	mm <sup>2</sup>	AWG #		
<b>SPND-001T-C0.5</b>	0.13~0.33	26~22	1.0~1.5	8,000
<b>SPND-002T-C0.5</b>	0.08~0.22	28~24	0.76~1.5	8,000

### Material and Finish

Copper alloy, tin-plated (reflow treatment)

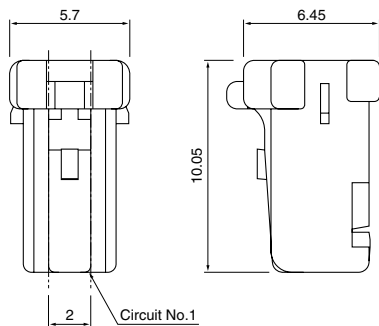
### RoHS compliance

Contact	Crimping machine	Applicator		
		Crimp applicator	Dies	Crimp applicator with dies
<b>SPND-001T-C0.5</b>	AP-K2N	MKS-L	MK/SPND-001-05	APLMK SPND001-05
		*MKS-SC	SC/SPND-001-05	APLSC SPND00105
<b>SPND-002T-C0.5</b>		MKS-L	MK/SPAD/ND-002-05	APLMK SPAD/ND002-05
—		—	—	

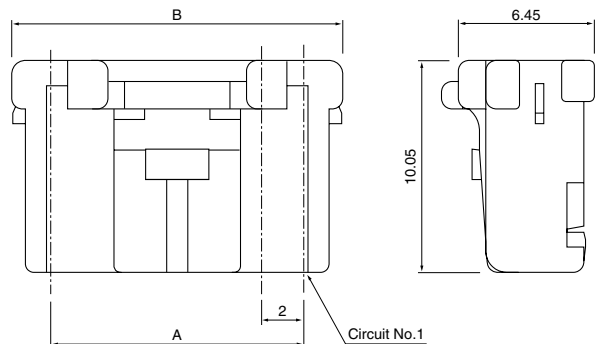
Note: \*Strip-crimp applicator

## Housing

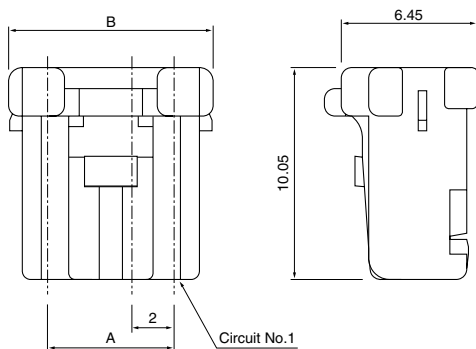
<2 circuits>



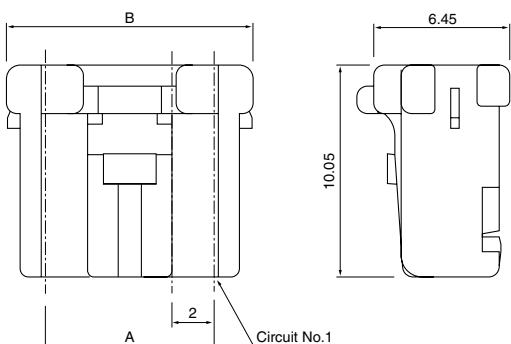
<7 to 10 circuits>



<3, 4 circuits>



<5, 6 circuits>



Circuits	Model No.	Dimensions (mm)		Q'ty / bag
		A	B	
2	<b>PNIRP-02V-S</b>	—	5.7	1,000
3	<b>PNIRP-03V-S</b>	4.0	7.7	1,000
4	<b>PNIRP-04V-S</b>	6.0	9.7	1,000
5	<b>PNIRP-05V-S</b>	8.0	11.7	1,000
6	<b>PNIRP-06V-S</b>	10.0	13.7	1,000
7	<b>PNIRP-07V-S</b>	12.0	15.7	1,000
8	<b>PNIRP-08V-S</b>	14.0	17.7	1,000
9	<b>PNIRP-09V-S</b>	16.0	19.7	1,000
10	<b>PNIRP-10V-S</b>	18.0	21.7	1,000

### Material

Glass-filled PBT, UL94V-0, natural (white)

### RoHS compliance

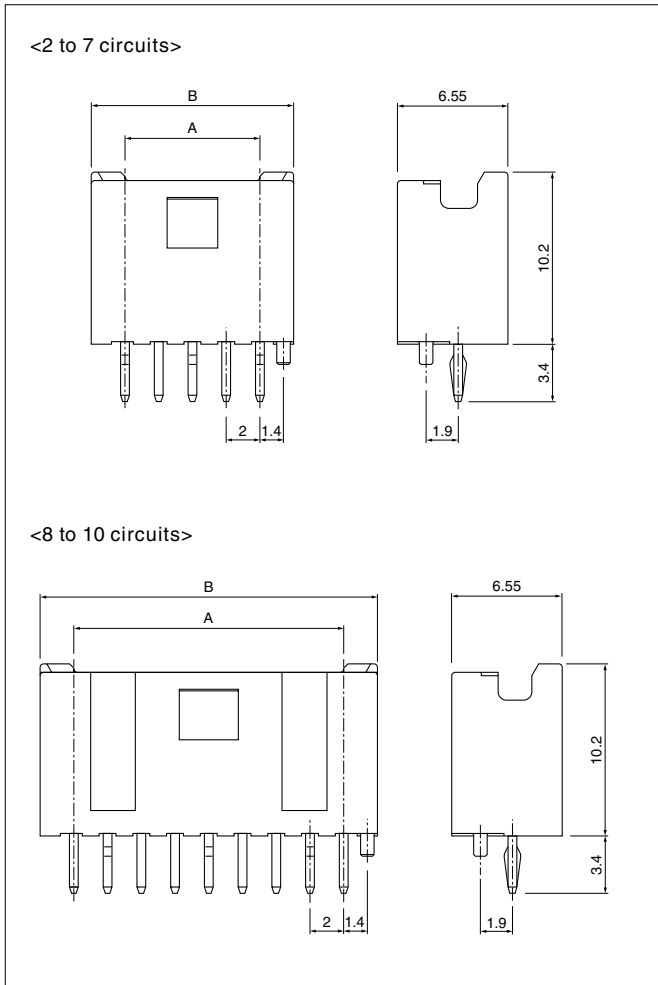
<For reference> As the color identification, the following alphabet shall be put in the underlined part. For availability, delivery and minimum order quantity, contact JST.

ex. **PNIRP-02V-S**

S...natural (white) M...green R...red E...blue H...gray  
LG...light green K...black Y...yellow

# PNI CONNECTOR

## Shrouded header



## Glass-filled PBT

Circuits	Model No.	Dimensions (mm)		Q'ty / box
	With boss	A	B	
2	<b>B02B-PNISK-1</b>	2.0	6.0	1,000
3	<b>B03B-PNISK-1</b>	4.0	8.0	1,000
4	<b>B04B-PNISK-1</b>	6.0	10.0	500
5	<b>B05B-PNISK-1</b>	8.0	12.0	500

### Material and Finish

Post: Copper alloy, copper-undercoated, tin-plated (reflow treatment)  
Wafer: Glass-filled PBT, UL94V-0, natural (white)

**RoHS compliance** This product displays (LF)(SN) on a label.

## Glass-filled PA 66

Circuits	Model No.	Dimensions (mm)		Q'ty / box
	With boss	A	B	
2	<b>B02B-PNISK-1A</b>	2.0	6.0	1,000
3	<b>B03B-PNISK-1A</b>	4.0	8.0	1,000
4	<b>B04B-PNISK-1A</b>	6.0	10.0	500
5	<b>B05B-PNISK-1A</b>	8.0	12.0	500
6	<b>B06B-PNISK-1A</b>	10.0	14.0	350
7	<b>B07B-PNISK-1A</b>	12.0	16.0	300
8	<b>B08B-PNISK-1A</b>	14.0	18.0	250
9	<b>B09B-PNISK-1A</b>	16.0	20.0	250
10	<b>B10B-PNISK-1A</b>	18.0	22.0	250

### Material and Finish

Post: Copper alloy, copper-undercoated, tin-plated (reflow treatment)  
Wafer: Glass-filled PA 66, UL94V-0, natural (white)

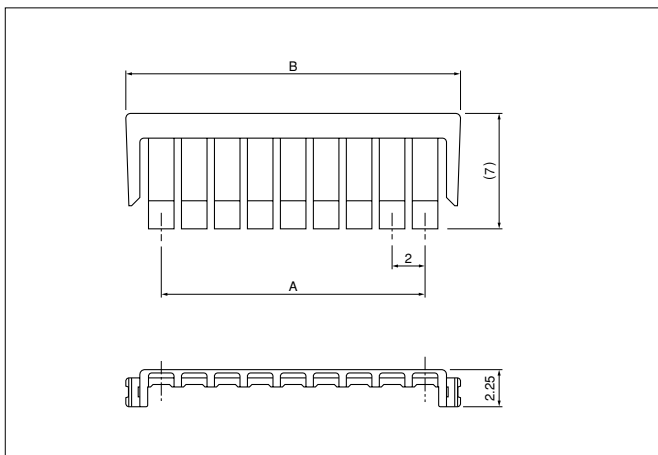
**RoHS compliance** This product displays (LF)(SN) on a label.

<For reference> As the color identification, the following alphabet shall be put in the underlined part.  
For availability, delivery and minimum order quantity, contact JST.

ex. **B02B-PNISK-1**  
S...natural (white) M...green R...red E...blue H...gray  
K...black

ex. **B02B-PNISK-1A**  
S...natural (white) M...green R...red E...blue H...gray  
LG...light green Y...yellow

## Retainer



Circuits	Model No.	Dimensions (mm)		Q'ty / bag
		A	B	
2	<b>PNIS-02V</b>	2.0	6.3	1,000
3	<b>PNIS-03V</b>	4.0	8.3	1,000
4	<b>PNIS-04V</b>	6.0	10.3	1,000
5	<b>PNIS-05V</b>	8.0	12.3	1,000
6	<b>PNIS-06V</b>	10.0	14.3	1,000
7	<b>PNIS-07V</b>	12.0	16.3	1,000
8	<b>PNIS-08V</b>	14.0	18.3	1,000
9	<b>PNIS-09V</b>	16.0	20.3	1,000
10	<b>PNIS-10V</b>	18.0	22.3	1,000

### Material

Glass-filled PA 66, UL94V-0, natural (ivory)

**RoHS compliance**