

## Excellent Integrated System Limited

Stocking Distributor

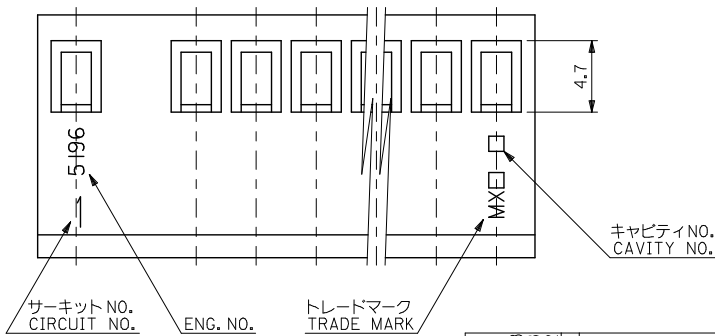
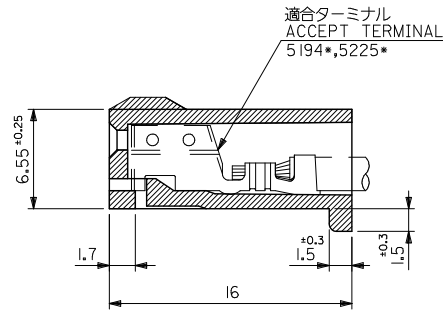
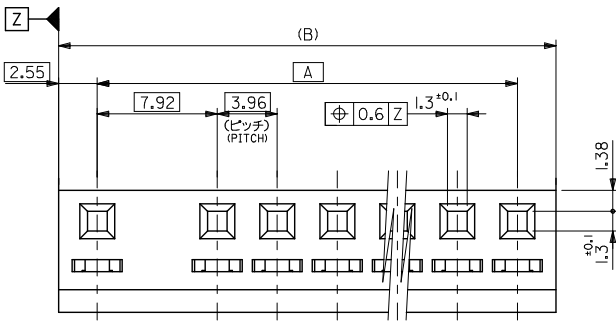
Click to view price, real time Inventory, Delivery & Lifecycle Information:

[Molex Connector Corporation](#)  
[0009501104](#)

For any questions, you can email us directly:

[sales@integrated-circuit.com](mailto:sales@integrated-circuit.com)

10 9 8 7 6 5 4 3 2 1



**注記 NOTES**

1. 各部の反りは0.5最大。  
WARPING : 0.5 MAX.
2. サークットNO.はNO.'I'のみ表示。  
CIRCUIT NO. : I ONLY.

44.7	39.6	09-50-1104	5196-102	10
36.78	31.68	09-50-1084	5196-082	8
B	A	EDP. NO.	MATERIAL NO.	NO. OF CTS.
			MODEL NO.	5196-N2

<b>REVISED</b> IEC NO. J2009-0871 DRAWN BY: DR. WAKAMURA 2008/12/08 CHECKED BY: CHIKO-I. HARIYAMA 2008/12/08 APPROVED BY: APRR. NUKITA 2008/12/12	GENERAL TOLERANCES (UNLESS SPECIFIED)		DIMENSION STYLE	SCALE	DESIGN UNITS	THIRD ANGLE PROJECTION
	10 UNDER	±0.2	DRAWN BY: T. YASUI	DATE: '96/4/19	TITLE: SPOX 7.92/3.96 PITCH RECEPTACLE HOUSING	
	10 OVER 30 UNDER	±0.25	CHECKED BY: S. A.	DATE: '96/4/10	APPROVED BY: M. FUKUSHIMA	
	30 OVER	±0.3	DATE: '96/4/10	MATERIAL NO.	DOCUMENT NO.	
	ANGULAR ±3 °	DRAFT WHERE APPLICABLE MUST REMAIN WITHIN DIMENSIONS		SEE TABLE	SD-5196-002	SHEET NO. 1 OF 1
材料 MATERIAL ナイロン66, UL94V-2 NYLON66, UL94V-2		THIS DRAWING CONTAINS INFORMATION THAT IS PROPRIETARY TO MOLEX INCORPORATED AND SHOULD NOT BE USED WITHOUT WRITTEN PERMISSION				