

Excellent Integrated System Limited

Stocking Distributor

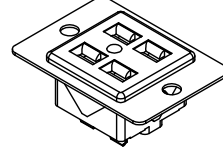
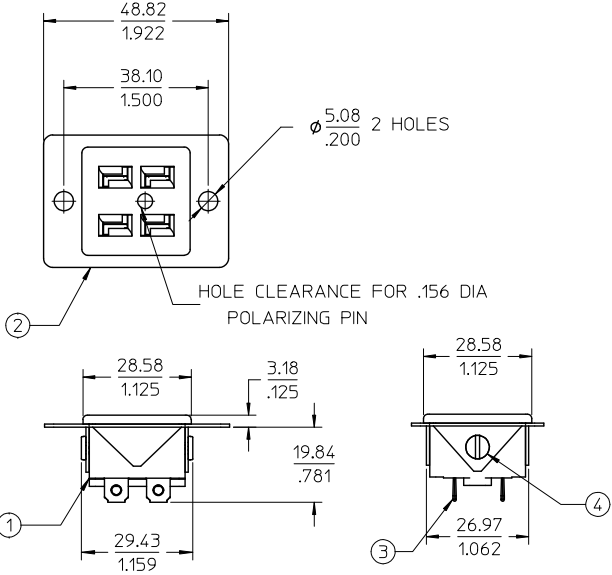
Click to view price, real time Inventory, Delivery & Lifecycle Information:

[Molex Connector Corporation](#)
[0385421304](#)

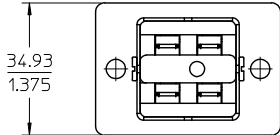
For any questions, you can email us directly:

sales@integrated-circuit.com

10 9 8 7 6 5 4 3 2 1



NOTES:
1.ASSEMBLY IS ROHS COMPLIANT



ITEM	QTY	DESCRIPTION	MATERIAL	FINISH
4	2	SCREW #6-32X.250 PAN SLOT NI/STEEL	STEEL	NICKEL
3	4	CONTACT S 5400 SN/D	PHOS.BRONZE	TIN
2	1	BRACKET,SHALLOW,5404	STEEL	BLACK PAINT/ZINC
1	1	BASE SOCKET 5404 MOGPP	PHENOLIC	BLACK

INITIAL RELEASE EC NO: WNAZ010-0038 DRAWN BY: CLYORK CHKD: DTITUS APPR: DTITUS 2009/10/09 2009/10/14 2009/10/15	QUALITY SYMBOLS	GENERAL TOLERANCES (UNLESS SPECIFIED)	DIMENSION STYLE	SCALE	DESIGN UNITS	THIRD ANGLE PROJECTION
	▼=0 ▽=0	mm INCH 4 PLACES ± --- ± --- 3 PLACES ± --- ± .015 2 PLACES ± 0.38 ± --- 1 PLACE ± --- ± --- ANGULAR ± 1/2°	MM/IN	1:1	INCH	DRAWN BY: CLYORK DATE: 2009/07/20 CHECKED BY: DATE: APPROVED BY: DTITUS DATE: 2009/10/14 MATERIAL NO. 385421304 DRAFT WHERE APPLICABLE MUST REMAIN WITHIN DIMENSIONS
						TITLE: SOCKET,SB 5404 ASY MOLEX INCORPORATED DOCUMENT NO. SD-38542-002 SHEET NO. 1 OF 1
						THIS DRAWING CONTAINS INFORMATION THAT IS PROPRIETARY TO MOLEX INCORPORATED AND SHOULD NOT BE USED WITHOUT WRITTEN PERMISSION

9 8 7 6 5 4 3 2 1