



Distributor of Molex Connector Corporation: Excellent Integrated System Limited
Datasheet of 0386300606 - Connector Barrier Block Strip 6 Circuit 0.438" (11.12mm)

Contact us: sales@integrated-circuit.com Website: www.integrated-circuit.com

Excellent Integrated System Limited

Stocking Distributor

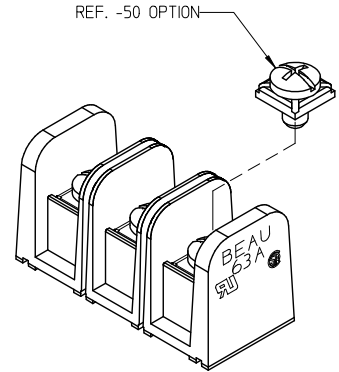
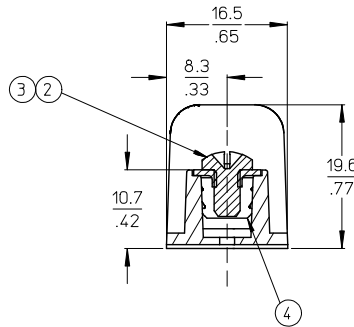
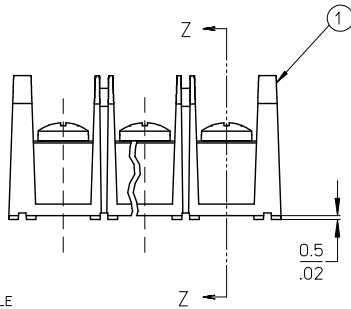
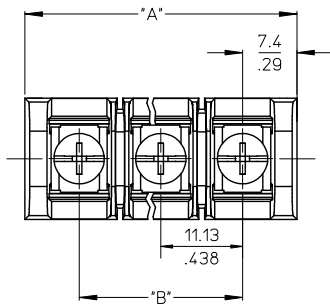
Click to view price, real time Inventory, Delivery & Lifecycle Information:

[Molex Connector Corporation](#)
[0386300606](#)

For any questions, you can email us directly:

sales@integrated-circuit.com

10 9 8 7 6 5 4 3 2 38630



MATERIAL NUMBER (STD.)	MATERIAL NUMBER (-50)	NO. OF CIRCUITS	A	B
386300602	386301802	2	25.9 (1.02)	11.13 (4.38)
386300603	386301803	3	37.1 (1.46)	22.22 (8.75)
386300604	386301804	4	48.3 (1.90)	33.35 (1.313)
386300605	386301805	5	59.2 (2.33)	44.45 (1.750)
386300606	386301806	6	70.4 (2.77)	55.57 (2.188)
386300607	386301807	7	81.5 (3.21)	66.67 (2.625)
386300608	386301808	8	92.7 (3.65)	77.80 (3.063)
386300609	386301809	9	103.6 (4.08)	88.90 (3.500)
386300610	386301810	10	114.8 (4.52)	100.03 (3.938)
386300611	386301811	11	125.9 (4.96)	111.13 (4.375)
386300612	386301812	12	137.2 (5.40)	122.25 (4.813)
386300613	386301813	13	148.1 (5.83)	133.35 (5.250)
386300614	386301814	14	159.3 (6.27)	144.45 (5.687)
386300615	386301815	15	170.4 (6.71)	155.58 (6.125)
386300616	386301816	16	181.6 (7.15)	166.70 (6.563)

- NOTES:
1. MATERIAL: SEE TABLE
 2. FINISHES: SEE TABLE
 3. PRODUCT SPECIFICATION: NOT REQUIRED
 4. PACKAGING: NOT REQUIRED
 5. MATES WITH: NONE
 6. "XX" REFERS TO QTY. OF CIRCUITS
 7. ROHS COMPLIANT (B)

ITEM	QTY.	DESCRIPTION	MATERIAL	FINISH
4	XX	TERMINAL, CLOSED BACK	BRASS	TIN PLATE
3	XX	SCREW/WSHR #6-32X.250 PAN, PH-SL (-50)	STEEL (B)	ZN, CLEAR CHROMATE
2	XX	SCREW #6-32X.250 BHD, PH-SL (STD.)	STEEL (B)	ZN, CLEAR CHROMATE
1	1	BARRIER TERMINAL STRIP	(B) POLYESTER (PBT)	BLACK

QUALITY SYMBOLS	GENERAL TOLERANCES (UNLESS SPECIFIED)		DIMENSION STYLE	SCALE	DESIGN UNITS	THIRD ANGLE PROJECTION
	mm	INCH	MM/IN	2:1	INCH	
▽=0	4 PLACES ± .005	± .0005	DRAWN BY R. STONE	DATE 2003/03/25	TITLE: 11.13/.438" PCB BTS 600V CLOSED BACKS NO MTG ENDS (63A1XX-C)	
▽=0	3 PLACES ± .01	± .01	CHECKED BY R. KEMP	DATE 2003/03/26		
	2 PLACES ± 0.13	± .01	APPROVED BY P. WALTZ	DATE 2003/03/28	MATERIAL NO. Molex DOCUMENT NO. SD-38630-002 SHEET NO. 1 OF 1	
	1 PLACE ± 0.3	± .01	DRAFT WHERE APPLICABLE MUST REMAIN WITHIN DIMENSIONS			
	ANGULAR ± 2°		SEE CHART		THIS DRAWING CONTAINS INFORMATION THAT IS PROPRIETARY TO MOLEX INCORPORATED AND SHOULD NOT BE USED WITHOUT WRITTEN PERMISSION	