



**Distributor of Molex Connector Corporation: Excellent Integrated System Limited**  
Datasheet of 0386300608 - Connector Barrier Block Strip 8 Circuit 0.438" (11.12mm)

Contact us: [sales@integrated-circuit.com](mailto:sales@integrated-circuit.com) Website: [www.integrated-circuit.com](http://www.integrated-circuit.com)

---

## **Excellent Integrated System Limited**

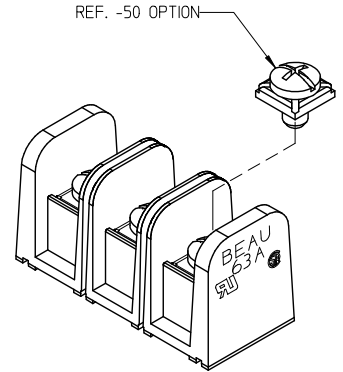
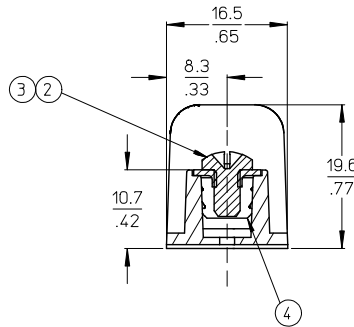
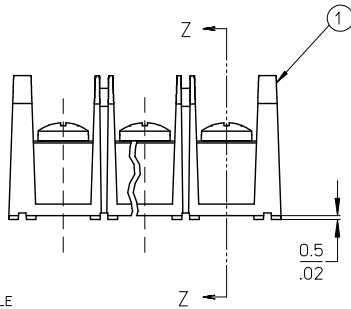
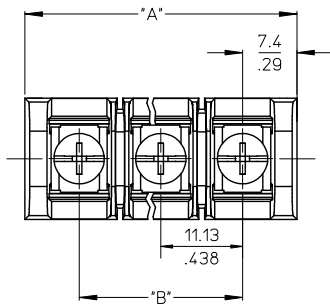
Stocking Distributor

Click to view price, real time Inventory, Delivery & Lifecycle Information:

[Molex Connector Corporation](#)  
[0386300608](#)

For any questions, you can email us directly:  
[sales@integrated-circuit.com](mailto:sales@integrated-circuit.com)

10 9 8 7 6 5 4 3 2 38630



| MATERIAL NUMBER (STD.) | MATERIAL NUMBER (-50) | NO. OF CIRCUITS | A            | B              |
|------------------------|-----------------------|-----------------|--------------|----------------|
| 386300602              | 386301802             | 2               | 25.9 (1.02)  | 11.13 (4.38)   |
| 386300603              | 386301803             | 3               | 37.1 (1.46)  | 22.22 (8.75)   |
| 386300604              | 386301804             | 4               | 48.3 (1.90)  | 33.35 (1.313)  |
| 386300605              | 386301805             | 5               | 59.2 (2.33)  | 44.45 (1.750)  |
| 386300606              | 386301806             | 6               | 70.4 (2.77)  | 55.57 (2.188)  |
| 386300607              | 386301807             | 7               | 81.5 (3.21)  | 66.67 (2.625)  |
| 386300608              | 386301808             | 8               | 92.7 (3.65)  | 77.80 (3.063)  |
| 386300609              | 386301809             | 9               | 103.6 (4.08) | 88.90 (3.500)  |
| 386300610              | 386301810             | 10              | 114.8 (4.52) | 100.03 (3.938) |
| 386300611              | 386301811             | 11              | 125.9 (4.96) | 111.13 (4.375) |
| 386300612              | 386301812             | 12              | 137.2 (5.40) | 122.25 (4.813) |
| 386300613              | 386301813             | 13              | 148.1 (5.83) | 133.35 (5.250) |
| 386300614              | 386301814             | 14              | 159.3 (6.27) | 144.45 (5.687) |
| 386300615              | 386301815             | 15              | 170.4 (6.71) | 155.58 (6.125) |
| 386300616              | 386301816             | 16              | 181.6 (7.15) | 166.70 (6.563) |

- NOTES:
1. MATERIAL: SEE TABLE
  2. FINISHES: SEE TABLE
  3. PRODUCT SPECIFICATION: NOT REQUIRED
  4. PACKAGING: NOT REQUIRED
  5. MATES WITH: NONE
  6. "XX" REFERS TO QTY. OF CIRCUITS
  7. ROHS COMPLIANT (B)

| ITEM | QTY. | DESCRIPTION                            | MATERIAL            | FINISH             |
|------|------|--|---------------------|--------------------|
| 4    | XX   | TERMINAL, CLOSED BACK                  | BRASS               | TIN PLATE          |
| 3    | XX   | SCREW/WSHR #6-32X.250 PAN, PH-SL (-50) | STEEL (B)           | ZN, CLEAR CHROMATE |
| 2    | XX   | SCREW #6-32X.250 BHD, PH-SL (STD.)     | STEEL (B)           | ZN, CLEAR CHROMATE |
| 1    | 1    | BARRIER TERMINAL STRIP                 | (B) POLYESTER (PBT) | BLACK              |

| QUALITY SYMBOLS | GENERAL TOLERANCES (UNLESS SPECIFIED) |         | DIMENSION STYLE   | SCALE           | DESIGN UNITS   | THIRD ANGLE PROJECTION |
|-----------------|---------------------------------------|---------|---|-----------------|--|------------------------|
|                 | mm                                    | INCH    | MM/IN   | 2:1             | INCH   |                        |
| ▽=0             | 4 PLACES ± .005                       | ± .0005 | DRAWN BY R. STONE   | DATE 2003/03/25 | TITLE 11.13/.438" PCB BTS 600V CLOSED BACKS NO MTG ENDS (63A1XX-C) |                        |
| ▽=0             | 3 PLACES ± .01                        | ± .01   | CHECKED BY R. KEMP  | DATE 2003/03/26 | Molex MOLEX INCORPORATED   |                        |
|                 | 2 PLACES ± 0.13                       | ± .01   | APPROVED BY P. WALTZ  | DATE 2003/03/28 | MATERIAL NO. SEE CHART DOCUMENT NO. SD-38630-002                   |                        |
|                 | 1 PLACE ± 0.3                         | ± .01   | DRAFT WHERE APPLICABLE MUST REMAIN WITHIN DIMENSIONS  |                 | SHEET NO. 1 OF 1   |                        |
|                 | ANGULAR ± 2°                          |         | THIS DRAWING CONTAINS INFORMATION THAT IS PROPRIETARY TO MOLEX INCORPORATED AND SHOULD NOT BE USED WITHOUT WRITTEN PERMISSION |                 |  |                        |