



Distributor of Molex Connector Corporation: Excellent Integrated System Limited
Datasheet of 0386307605 - Connector Barrier Block Strip 5 Circuit 0.438" (11.12mm)

Contact us: sales@integrated-circuit.com Website: www.integrated-circuit.com

Excellent Integrated System Limited

Stocking Distributor

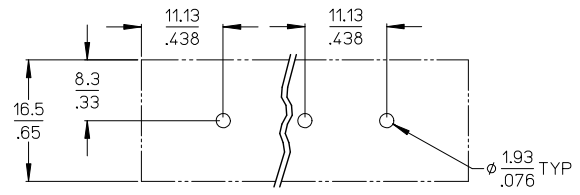
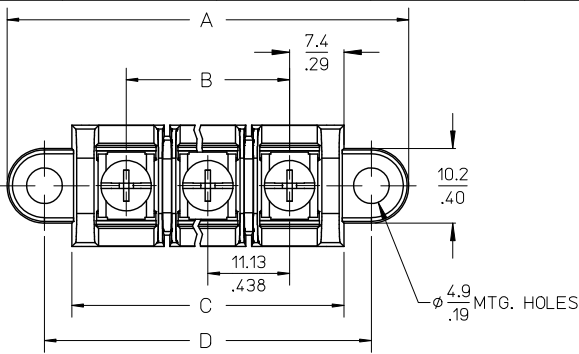
Click to view price, real time Inventory, Delivery & Lifecycle Information:

[Molex Connector Corporation](#)
[0386307605](#)

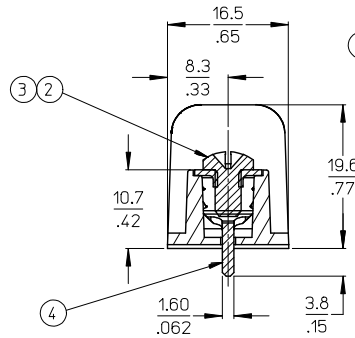
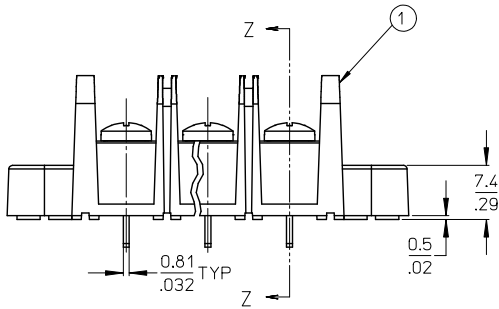
For any questions, you can email us directly:

sales@integrated-circuit.com

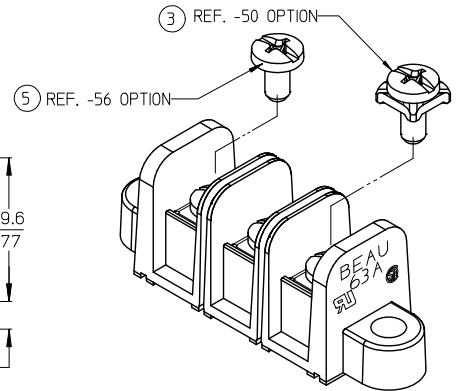
10 9 8 7 6 5 4 3 2 38630



RECOMMENDED PLATED THRU HOLE PATTERN



SECTION Z-Z



NOTES:

1. MATERIAL: SEE TABLE
2. FINISHES: SEE TABLE
3. *XX* REFERS TO QTY. OF CIRCUITS.
4. ASSEMBLY IS ROHS COMPLIANT.

(D)

ITEM	QTY.	DESCRIPTION	MATERIAL	FINISH
5	XX	SCREW #6-32X.250 BHD, PH-SL STAINLESS (-56 OPT)	STAINLESS STL	PASSIVATE
4	XX	TERMINAL, PC (SHORT)	BRASS	TIN PLATE
3	XX	SCREW/WSHR #6-32X.250 PAN, PH-SL (-50)	STEEL	ZN, CLEAR CHROMATE
2	XX	SCREW #6-32X.250 BHD, PH-SL (STD)	STEEL	ZN, CLEAR CHROMATE
1	1	BARRIER TERMINAL STRIP	POLYESTER (PBT)	BLACK

CHG SS SCREW DRIVE RECESS	2010/08/16
EC NO: IP52013-0364	2012/09/12
DRWING: YOKO	2012/09/12
CHKD: MAGNELL	2012/11/05
APPR: MAGNELL	

QUALITY SYMBOLS	$\nabla=0$
	$\nabla=0$

GENERAL TOLERANCES (UNLESS SPECIFIED)	
	MM/IN
4 PLACES	$\pm .005$ / $\pm .0005$
3 PLACES	$\pm .01$ / $\pm .001$
2 PLACES	$\pm .013$ / $\pm .0013$
1 PLACE	$\pm .03$ / $\pm .003$
ANGULAR $\pm 2^\circ$	

DRAWN BY	R. STONE	DATE	2003/03/25
CHECKED BY	R. KEMP	DATE	2003/03/27
APPROVED BY	P. WALTZ	DATE	2003/03/28

TITLE	11.13/.438" PCB BTS 600V MTG ENDS, STD LENGTH (63A5XX)
MATERIAL NO.	SEE CHART
DOCUMENT NO.	SD-38630-007
SHEET NO.	1 OF 2

THIS DRAWING CONTAINS INFORMATION THAT IS PROPRIETARY TO MOLEX INCORPORATED AND SHOULD NOT BE USED WITHOUT WRITTEN PERMISSION

1b_frome_B_P_ME_T Rev. E 2006/04/15

10 9 8 7 6 5 4 3 2 38630

MATERIAL NUMBER (STD.)	MATERIAL NUMBER (-56)	MATERIAL NUMBER (-50)	NO. OF CIRCUITS	A	B	C	D
386306402	386390093	386307602	2	43.4 (1.71)	11.13 (4.38)	25.9 (1.02)	33.3 (1.31)
386306403	386390094	386307603	3	54.6 (2.15)	22.22 (8.75)	37.1 (1.46)	44.5 (1.75)
386306404	386390095	386307604	4	65.7 (2.59)	33.35 (1.313)	48.3 (1.90)	55.6 (2.19)
386306405	386390096	386307605	5	76.7 (3.02)	44.45 (1.750)	59.2 (2.33)	66.5 (2.62)
386306406	386390097	386307606	6	87.9 (3.46)	55.57 (2.188)	70.4 (2.77)	77.7 (3.06)
386306407	386390098	386307607	7	99.1 (3.90)	66.67 (2.625)	81.5 (3.21)	88.9 (3.50)
386306408	386390099	386307608	8	110.2 (4.34)	77.80 (3.063)	92.7 (3.65)	100.0 (3.94)
386306409	386390100	386307609	9	121.2 (4.77)	88.90 (3.500)	103.6 (4.08)	111.0 (4.37)
386306410	386390101	386307610	10	132.3 (5.21)	100.03 (3.938)	114.8 (4.52)	122.2 (4.81)
386306411	386390102	386307611	11	143.5 (5.65)	111.13 (4.375)	125.9 (4.96)	133.4 (5.25)
386306412	386390103	386307612	12	154.7 (6.09)	122.25 (4.813)	137.2 (5.40)	144.5 (5.69)
386306413	386390104	386307613	13	165.6 (6.52)	133.35 (5.250)	148.1 (5.83)	155.4 (6.12)
386306414		386307614	14	176.8 (6.96)	144.45 (5.687)	159.3 (6.27)	166.6 (6.56)
386306415		386307615	15	188.0 (7.40)	155.58 (6.125)	170.4 (6.71)	177.8 (7.00)
386306416		386307616	16	199.1 (7.84)	166.70 (6.563)	181.6 (7.15)	189.0 (7.44)

SEE SHEET ONE FCC NO: WNA2009-0085 DRAWN: JENGLINS 2008/11/25 CHKD: CLOAK 2008/12/15 APPR: J.MAGNELL 2008/12/15 DESCRIPTION REV:	QUALITY SYMBOLS	GENERAL TOLERANCES (UNLESS SPECIFIED) <table border="1"> <tr><th colspan="2">mm</th><th colspan="2">INCH</th></tr> <tr><td>4 PLACES</td><td>± .005</td><td>± .005</td><td>± .005</td></tr> <tr><td>3 PLACES</td><td>± .005</td><td>± .005</td><td>± .005</td></tr> <tr><td>2 PLACES</td><td>± .013</td><td>± .01</td><td>± .01</td></tr> <tr><td>1 PLACE</td><td>± .03</td><td>± .01</td><td>± .01</td></tr> </table> ANGULAR ± 2°	mm		INCH		4 PLACES	± .005	± .005	± .005	3 PLACES	± .005	± .005	± .005	2 PLACES	± .013	± .01	± .01	1 PLACE	± .03	± .01	± .01	DIMENSION STYLE	SCALE	DESIGN UNITS	THIRD ANGLE PROJECTION
	mm		INCH																							
	4 PLACES		± .005	± .005	± .005																					
	3 PLACES		± .005	± .005	± .005																					
2 PLACES	± .013	± .01	± .01																							
1 PLACE	± .03	± .01	± .01																							
	MM/IN	2:1	INCH																							
	DRAWN BY: R. STONE CHECKED BY: R. KEMP APPROVED BY: P. WALTZ DATE: 2003/03/25 DATE: 2003/03/27 DATE: 2003/03/28	TITLE: 11.13/438" PCB BTS 600V MTG ENDS, STD LENGTH (63A5XX)	MOLEX INCORPORATED																							
	DRAFT WHERE APPLICABLE MUST REMAIN WITHIN DIMENSIONS	MATERIAL NO. SEE CHART SIZE B THIS DRAWING CONTAINS INFORMATION THAT IS PROPRIETARY TO MOLEX INCORPORATED AND SHOULD NOT BE USED WITHOUT WRITTEN PERMISSION	DOCUMENT NO. SD-38630-007	SHEET NO. 2 OF 2																						

9 8 7 6 5 4 3 2 1