



Distributor of Molex Connector Corporation: Excellent Integrated System Limited
Datasheet of 0386307609 - Connector Barrier Block Strip 9 Circuit 0.438" (11.12mm)

Contact us: sales@integrated-circuit.com Website: www.integrated-circuit.com

Excellent Integrated System Limited

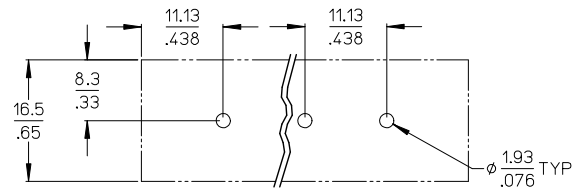
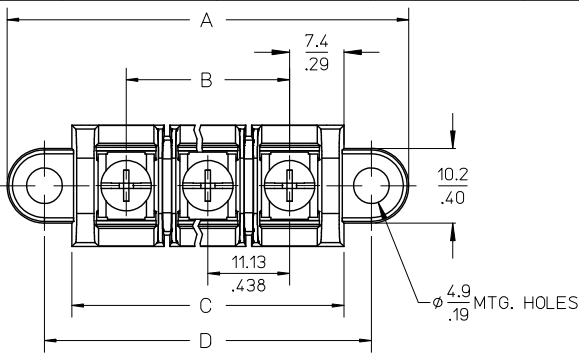
Stocking Distributor

Click to view price, real time Inventory, Delivery & Lifecycle Information:

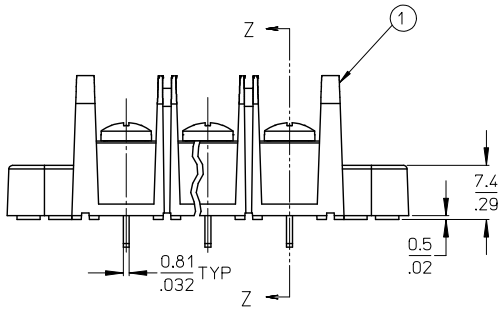
[Molex Connector Corporation](#)
[0386307609](#)

For any questions, you can email us directly:
sales@integrated-circuit.com

10 9 8 7 6 5 4 3 2 38630

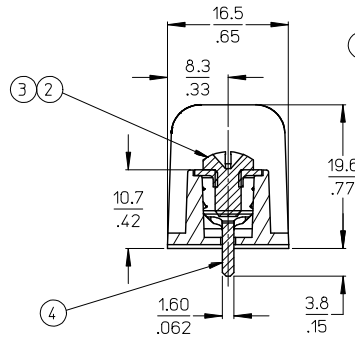


RECOMMENDED PLATED THRU HOLE PATTERN

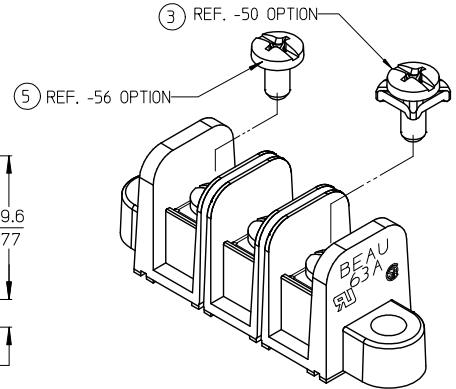


NOTES:

1. MATERIAL: SEE TABLE
2. FINISHES: SEE TABLE
3. *XX* REFERS TO QTY. OF CIRCUITS.
4. ASSEMBLY IS ROHS COMPLIANT.



SECTION Z-Z



ⓓ

ITEM	QTY.	DESCRIPTION	MATERIAL	FINISH	QUALITY SYMBOLS	GENERAL TOLERANCES (UNLESS SPECIFIED)		DIMENSION STYLE		SCALE	DESIGN UNITS	THIRD ANGLE PROJECTION	
						mm	INCH	MM/IN	MM/IN				
5	XX	SCREW #6-32X.250 BHD, PH-SL STAINLESS (-56 OPT)	STAINLESS STL	PASSIVATE	CHG SS SCREW DRIVE RECESS EC NO: IP522013-0364 2010/08/16 DRINKLE YORK 2012/09/12 CHKD: MAGNELL APPR: JMAONEIL 2012/11/05	4 PLACES	± .005	± .005	DRAWN BY	R. STONE	DATE	2003/03/25	TITLE 11.13/438" PCB BTS 600V MTG ENDS, STD LENGTH (63A5XX)
4	XX	TERMINAL, PC (SHORT)	BRASS	TIN PLATE		3 PLACES	± .005	± .005	CHECKED BY	R. KEMP	DATE	2003/03/27	
3	XX	SCREW/WSHR #6-32X.250 PAN, PH-SL (-50)	STEEL	ZN, CLEAR CHROMATE		2 PLACES	± 0.13	± .01	APPROVED BY	P. WALTZ	DATE	2003/03/28	
2	XX	SCREW #6-32X.250 BHD, PH-SL (STD)	STEEL	ZN, CLEAR CHROMATE		1 PLACE	± 0.3	± .01	MATERIAL NO.	SEE CHART	DOCUMENT NO.	SD-38630-007	
1	1	BARRIER TERMINAL STRIP	POLYESTER (PBT)	BLACK		ANGULAR	± 2°	± .01	SIZE	B	THIS DRAWING CONTAINS INFORMATION THAT IS PROPRIETARY TO MOLEX INCORPORATED AND SHOULD NOT BE USED WITHOUT WRITTEN PERMISSION		
ITEM QTY. DESCRIPTION MATERIAL FINISH					REV	DRAFT WHERE APPLICABLE MUST REMAIN WITHIN DIMENSIONS		MATERIAL NO. SEE CHART		DOCUMENT NO. SD-38630-007	SHEET NO. 1 OF 2		

9 8 7 6 5 4 3 2 1

10 9 8 7 6 5 4 3 2 38630

MATERIAL NUMBER (STD.)	MATERIAL NUMBER (-56)	MATERIAL NUMBER (-50)	NO. OF CIRCUITS	A	B	C	D
386306402	386390093	386307602	2	43.4 (1.71)	11.13 (4.38)	25.9 (1.02)	33.3 (1.31)
386306403	386390094	386307603	3	54.6 (2.15)	22.22 (8.75)	37.1 (1.46)	44.5 (1.75)
386306404	386390095	386307604	4	65.7 (2.59)	33.35 (1.313)	48.3 (1.90)	55.6 (2.19)
386306405	386390096	386307605	5	76.7 (3.02)	44.45 (1.750)	59.2 (2.33)	66.5 (2.62)
386306406	386390097	386307606	6	87.9 (3.46)	55.57 (2.188)	70.4 (2.77)	77.7 (3.06)
386306407	386390098	386307607	7	99.1 (3.90)	66.67 (2.625)	81.5 (3.21)	88.9 (3.50)
386306408	386390099	386307608	8	110.2 (4.34)	77.80 (3.063)	92.7 (3.65)	100.0 (3.94)
386306409	386390100	386307609	9	121.2 (4.77)	88.90 (3.500)	103.6 (4.08)	111.0 (4.37)
386306410	386390101	386307610	10	132.3 (5.21)	100.03 (3.938)	114.8 (4.52)	122.2 (4.81)
386306411	386390102	386307611	11	143.5 (5.65)	111.13 (4.375)	125.9 (4.96)	133.4 (5.25)
386306412	386390103	386307612	12	154.7 (6.09)	122.25 (4.813)	137.2 (5.40)	144.5 (5.69)
386306413	386390104	386307613	13	165.6 (6.52)	133.35 (5.250)	148.1 (5.83)	155.4 (6.12)
386306414		386307614	14	176.8 (6.96)	144.45 (5.687)	159.3 (6.27)	166.6 (6.56)
386306415		386307615	15	188.0 (7.40)	155.58 (6.125)	170.4 (6.71)	177.8 (7.00)
386306416		386307616	16	199.1 (7.84)	166.70 (6.563)	181.6 (7.15)	189.0 (7.44)

SEE SHEET ONE ECC NO: WNA2009-0085 DRAWN: JENGLINS 2008/11/25 CHKD: CLOAK 2008/12/15 APPR: J.MCNEIL 2008/12/15 DESCRIPTION	QUALITY SYMBOLS	GENERAL TOLERANCES (UNLESS SPECIFIED)		DIMENSION STYLE		SCALE	DESIGN UNITS	THIRD ANGLE PROJECTION
	$\nabla=0$ $\nabla=0$	mm	INCH	MM/IN		2:1	INCH	
REV C	4 PLACES	± .005	± .005	DRAWN BY	DATE	TITLE 11.13/438" PCB BTS 600V MTG ENDS, STD LENGTH (63A5XX)		
	3 PLACES	± .005	± .005	R. STONE	2003/03/25			
	2 PLACES	± 0.13	± .01	CHECKED BY	DATE	MOLEX INCORPORATED SD-38630-007 SHEET NO. 2 OF 2		
	1 PLACE	± 0.3	± .01	R. KEMP	2003/03/27			
	ANGULAR ± 2°		APPROVED BY	DATE				
	DRAFT WHERE APPLICABLE MUST REMAIN WITHIN DIMENSIONS		P. WALTZ	2003/03/28				
			MATERIAL NO.	SEE CHART				
			SIZE	THIS DRAWING CONTAINS INFORMATION THAT IS PROPRIETARY TO MOLEX INCORPORATED AND SHOULD NOT BE USED WITHOUT WRITTEN PERMISSION				

9 8 7 6 5 4 3 2 1