



Distributor of Molex Connector Corporation: Excellent Integrated System Limited
Datasheet of 0386390135 - Connector Barrier Block Strip 3 Circuit 0.438" (11.12mm)

Contact us: sales@integrated-circuit.com Website: www.integrated-circuit.com

Excellent Integrated System Limited

Stocking Distributor

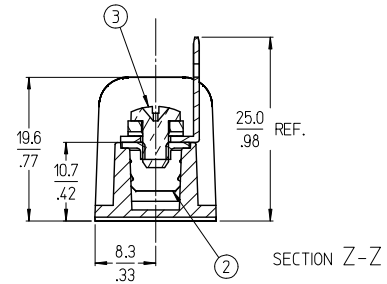
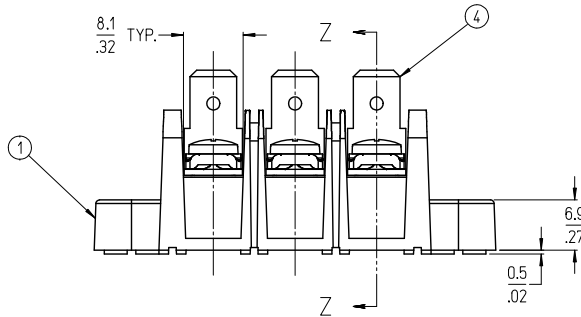
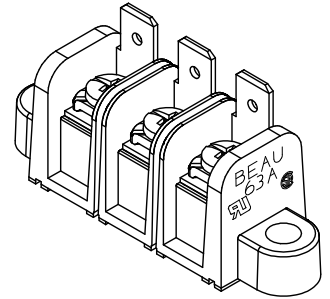
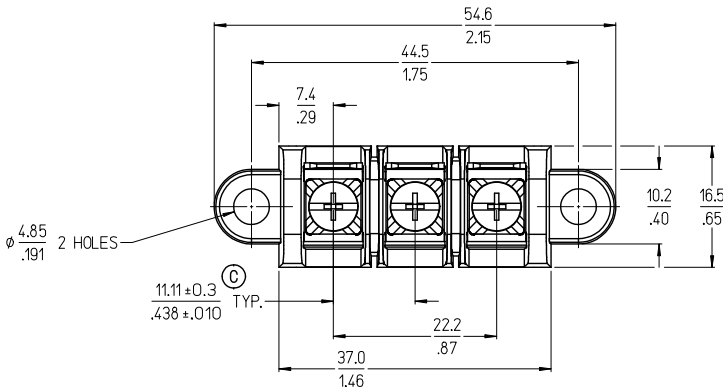
Click to view price, real time Inventory, Delivery & Lifecycle Information:

[Molex Connector Corporation](#)
[0386390135](#)

For any questions, you can email us directly:

sales@integrated-circuit.com

10 9 8 7 6 5 4 3 2 38639



NOTES:

- 1. MATERIAL: SEE TABLE
- 2. FINISHES: SEE TABLE
- 3. ASSEMBLY IS ROHS COMPLIANT.

				ADD TOLERANCE EC NO: IPG2013-1297 DRAWN: ENCLINS 2013/04/15 CHKD: MACNEIL 2013/04/15 APPR: MACNEIL 2013/04/15		QUALITY SYMBOLS ▽=0 ▽=0		GENERAL TOLERANCES (UNLESS SPECIFIED) <table border="1"> <tr> <th></th> <th>mm</th> <th>INCH</th> </tr> <tr> <td>4 PLACES</td> <td>± .005</td> <td>± .0005</td> </tr> <tr> <td>3 PLACES</td> <td>± .005</td> <td>± .0005</td> </tr> <tr> <td>2 PLACES</td> <td>± 0.13</td> <td>± .01</td> </tr> <tr> <td>1 PLACE</td> <td>± 0.3</td> <td>± .012</td> </tr> </table>			mm	INCH	4 PLACES	± .005	± .0005	3 PLACES	± .005	± .0005	2 PLACES	± 0.13	± .01	1 PLACE	± 0.3	± .012	DIMENSION STYLE MM/IN		SCALE 2:1		DESIGN UNITS INCH		THIRD ANGLE PROJECTION	
	mm	INCH																														
4 PLACES	± .005	± .0005																														
3 PLACES	± .005	± .0005																														
2 PLACES	± 0.13	± .01																														
1 PLACE	± 0.3	± .012																														
				APPROVED BY G. ROBERTSON		DATE 2005/05/25		TITLE 11.11/.438 SR BTS, CB, FAST TAB, 3 CKT ASSY (63A103-49-50-1815H)																								
				MATERIAL NO. 386390135		DOCUMENT NO. SD-38639-012		MOLEX INCORPORATED																								
				SIZE B		THIS DRAWING CONTAINS INFORMATION THAT IS PROPRIETARY TO MOLEX INCORPORATED AND SHOULD NOT BE USED WITHOUT WRITTEN PERMISSION																										
ITEM	QTY.	DESCRIPTION	MATERIAL	FINISH																												

4	3	TERMINAL, FAST TAB, .250 X .032	BRASS	TIN PLATE
3	3	SCREW, #6-32X.250, PAN HD. W/SQ. WASHER	BRASS	NICKEL PLATE
2	3	TERMINAL, CLOSED BACK	BRASS	TIN PLATE
1	1	INSULATOR, SINGLE ROW, CB, MOLDED MTG.	POLYESTER (PBTP)	BLACK

9 8 7 6 5 4 3 2 1