



Distributor of Molex Connector Corporation: Excellent Integrated System Limited

Datasheet of 0386608811 - Connector Barrier Block Strip 11 Circuit 0.500" (12.70mm)

Contact us: sales@integrated-circuit.com Website: www.integrated-circuit.com

Excellent Integrated System Limited

Stocking Distributor

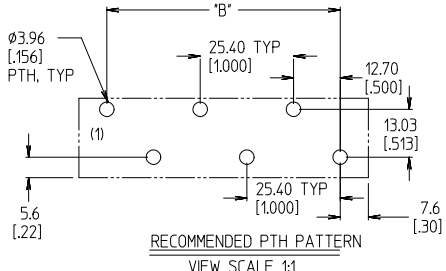
Click to view price, real time Inventory, Delivery & Lifecycle Information:

[Molex Connector Corporation](#)
[0386608811](#)

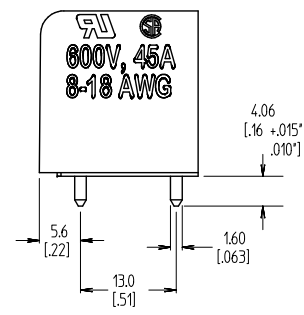
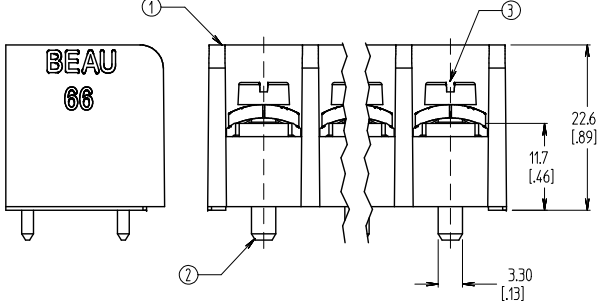
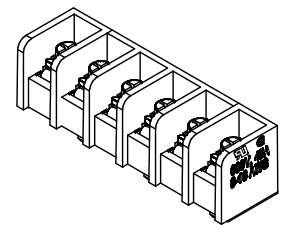
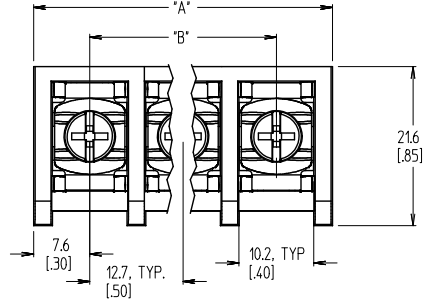
For any questions, you can email us directly:

sales@integrated-circuit.com

10 9 8 7 6 5 4 3 2 38660



MATERIAL NUMBER (STD PART)	NUMBER OF CIRCUITS "XX"	A	B
38660-8802	2	27.9 [1.10]	12.70 [5.00]
38660-8803	3	40.6 [1.60]	25.40 [1.000]
38660-8804	4	53.3 [2.10]	38.10 [1.500]
38660-8805	5	66.0 [2.60]	50.80 [2.000]
38660-8806	6	78.7 [3.10]	63.50 [2.500]
38660-8807	7	91.4 [3.60]	76.20 [3.000]
38660-8808	8	104.1 [4.10]	88.90 [3.500]
38660-8809	9	116.8 [4.60]	101.60 [4.000]
38660-8810	10	129.5 [5.10]	114.30 [4.500]
38660-8811	11	142.2 [5.60]	127.00 [5.000]
38660-8812	12	154.9 [6.10]	139.70 [5.500]
38660-8813	13	167.6 [6.60]	152.40 [6.000]
38660-8814	14	180.3 [7.10]	165.10 [6.500]
38660-8815	15	193.0 [7.60]	177.80 [7.000]



- NOTES:
1. MATERIAL: SEE TABLE
 2. FINISHES: SEE TABLE
 3. "XX" - REFERS TO THE NUMBER OF CIRCUIT POSITIONS.
 4. ASSEMBLY IS ROHS COMPLIANT.

ITEM	QTY	DESCRIPTION	MATERIAL	FINISH
3	XX	SCREW	STEEL	ZN/YELLOW CHROMATE
2	XX	TERMINAL	RED BRASS	TIN OVER COPPER
1	1	INSULATOR	POLYESTER (PBT)	BLACK

INITIAL RELEASE EC NO: WNA/2009-0043 DRAWN BY: C. YORK CHECKED BY: R. DEROSS APPROVED BY: R. DEROSS DATE: 2008/09/27 DATE: 2008/09/27 DATE: 2008/09/27	QUALITY SYMBOLS ▽=0 ▽=0	GENERAL TOLERANCES (UNLESS SPECIFIED) mm INCH 4 PLACES ± .13 ± .005 3 PLACES ± .13 ± .01 2 PLACES ± 0.3 ± .01 1 PLACE ± 0.3 ± .01 ANGULAR ± 2°	DIMENSION STYLE MM/IN	SCALE 1:1	DESIGN UNITS INCH	THIRD ANGLE PROJECTION			
				DRAWN BY: C. YORK DATE: 2008/09/08 CHECKED BY: R. DEROSS DATE: 2008/09/08 APPROVED BY: R. DEROSS DATE: 2008/09/08			TITLE: SR BTS, 12.70/500 PITCH PC, NO MTG ASSY, ROHS COMPLIANT		
				MATERIAL NO. SEE CHART			Molex MOLEX INCORPORATED DOCUMENT NO. SD-38660-003		
				DRAFT WHERE APPLICABLE MUST REMAIN WITHIN DIMENSIONS			THIS DRAWING CONTAINS INFORMATION THAT IS PROPRIETARY TO MOLEX INCORPORATED AND SHOULD NOT BE USED WITHOUT WRITTEN PERMISSION		

9 8 7 6 5 4 3 2 1