



Distributor of Molex Connector Corporation: Excellent Integrated System Limited

Datasheet of 0387106202 - Connector Barrier Block Strip 2 Circuit 0.375" (9.53mm)

Contact us: sales@integrated-circuit.com Website: www.integrated-circuit.com

Excellent Integrated System Limited

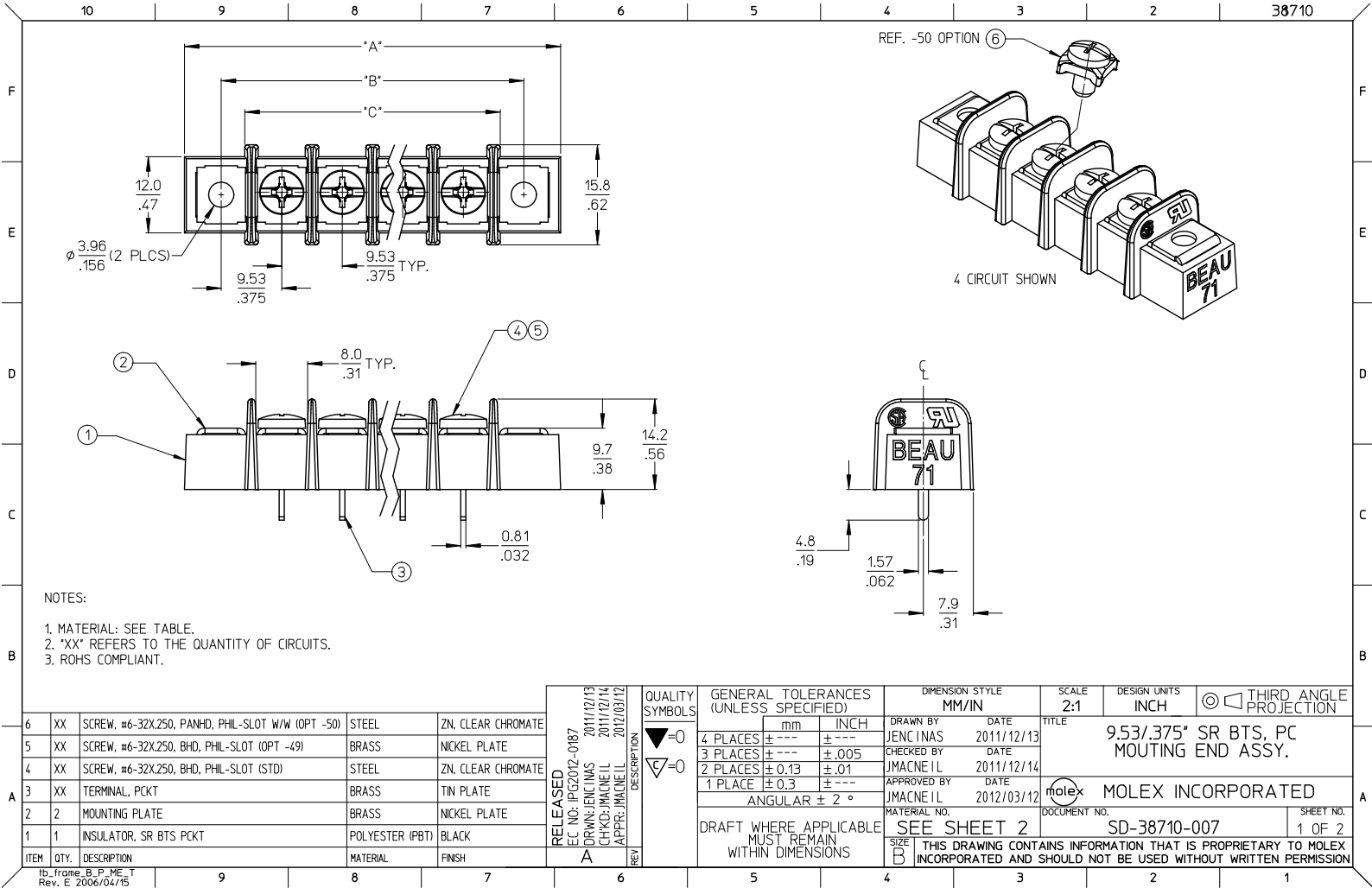
Stocking Distributor

Click to view price, real time Inventory, Delivery & Lifecycle Information:

[Molex Connector Corporation](#)
[0387106202](#)

For any questions, you can email us directly:

sales@integrated-circuit.com



- NOTES:
1. MATERIAL: SEE TABLE.
 2. "XX" REFERS TO THE QUANTITY OF CIRCUITS.
 3. ROHS COMPLIANT.

ITEM	QTY.	DESCRIPTION	MATERIAL	FINISH
6	XX	SCREW, #6-32X.250, PANHD, PHIL-SLOT W/W (OPT -50)	STEEL	ZN, CLEAR CHROMATE
5	XX	SCREW, #6-32X.250, BHD, PHIL-SLOT (OPT -49)	BRASS	NICKEL PLATE
4	XX	SCREW, #6-32X.250, BHD, PHIL-SLOT (STD)	STEEL	ZN, CLEAR CHROMATE
3	XX	TERMINAL, PKCT	BRASS	TIN PLATE
2	2	MOUNTING PLATE	BRASS	NICKEL PLATE
1	1	INSULATOR, SR BTS PKCT	POLYESTER (PBT)	BLACK

RELEASED	EC NO: IPG2012-0187	2011/12/13
DRWN: JENCINAS	2011/12/14	
CHKD: JMACNEIL	2011/12/14	
APPR: JMACNEIL	2012/03/12	
REV	DESCRIPTION	
A		

QUALITY SYMBOLS	
	= 0.005
	= 0.01

GENERAL TOLERANCES (UNLESS SPECIFIED)	
4 PLACES	± .005
3 PLACES	± .005
2 PLACES	± 0.13
1 PLACE	± 0.3
ANGULAR ± 2°	

DIMENSION STYLE		SCALE	DESIGN UNITS	THIRD ANGLE PROJECTION
MM/IN		2:1	INCH	
DRAWN BY: JENCINAS		DATE: 2011/12/13		
CHECKED BY: JMACNEIL		DATE: 2011/12/14		
APPROVED BY: JMACNEIL		DATE: 2012/03/12		
MATERIAL NO. SEE SHEET 2		DOCUMENT NO. SD-38710-007		
SIZE B		THIS DRAWING CONTAINS INFORMATION THAT IS PROPRIETARY TO MOLEX INCORPORATED AND SHOULD NOT BE USED WITHOUT WRITTEN PERMISSION		

10 9 8 7 6 5 4 3 2 38710

NO. OF CIRCUITS	DIM. 'A'		DIM. 'B'		DIM. 'C'		ASSEMBLY MATERIAL NO. (STD)	ASSEMBLY MATERIAL NO. (-49 OPT)	ASSEMBLY MATERIAL NO. (-50 OPT)
	mm	in	mm	in	mm	in			
02	40.1	1.58	28.6	1.13	21.1	0.83	387106202	387106802	387107402
03	49.7	1.96	38.1	1.50	30.6	1.21	387106203	387106803	387107403
04	59.2	2.33	47.6	1.88	40.1	1.58	387106204	387106804	387107404
05	68.7	2.71	57.1	2.25	49.7	1.96	387106205	387106805	387107405
06	78.2	3.08	66.6	2.63	59.2	2.33	387106206	387106806	387107406
07	87.8	3.46	76.2	3.00	68.7	2.71	387106207	387106807	387107407
08	97.3	3.83	85.7	3.38	78.2	3.08	387106208	387106808	387107408
09	106.8	4.21	95.2	3.75	87.8	3.46	387106209	387106809	387107409
10	116.3	4.58	104.8	4.13	97.3	3.83	387106210	387106810	387107410
11	125.9	4.96	114.3	4.50	106.8	4.21	387106211	387106811	387107411
12	135.4	5.33	123.8	4.88	116.3	4.58	387106212	387106812	387107412
13	144.9	5.71	133.3	5.25	125.9	4.96	387106213	387106813	387107413
14	154.4	6.08	142.9	5.63	135.4	5.33	387106214	387106814	387107414
15	164.0	6.46	152.4	6.00	144.9	5.71	387106215	387106815	387107415
16	173.5	6.83	161.9	6.38	154.4	6.08	387106216	387106816	387107416
17	183.0	7.21	171.4	6.75	164.0	6.46	387106217	387106817	387107417
18	192.5	7.58	181.0	7.13	173.5	6.83	387106218	387106818	387107418
19	202.1	7.96	190.5	7.50	183.0	7.21	387106219	387106819	387107419
20	211.6	8.33	200.0	7.88	192.5	7.58	387106220	387106820	387107420
21	221.1	8.71	209.5	8.25	202.1	7.96	387106221	387106821	387107421
22	230.6	9.08	219.1	8.63	211.6	8.33	387106222	387106822	387107422
23	240.2	9.46	228.6	9.00	221.1	8.71	387106223	387106823	387107423
24	249.7	9.83	238.1	9.38	230.6	9.08	387106224	387106824	387107424
25	259.2	10.21	247.6	9.75	240.2	9.46	387106225	387106825	387107425
26	268.7	10.58	257.2	10.13	249.7	9.83	387106226	387106826	387107426

SEE SHEET ONE E.C. NO: IPG2012-0187 DRAWN: JENCINS 2011/12/13 CHKD: JMACNEIL 2011/12/14 APPR: JMACNEIL 2012/03/12	QUALITY SYMBOLS = 0 = 0	GENERAL TOLERANCES (UNLESS SPECIFIED)		DIMENSION STYLE MM/IN		SCALE 2:1	DESIGN UNITS INCH	THIRD ANGLE PROJECTION			
		4 PLACES ± --- ± --- 3 PLACES ± --- ± .005 2 PLACES ± 0.13 ± .01 1 PLACE ± 0.3 ± --- ANGULAR ± 2°	DRAWN BY JENCINS DATE 2011/12/13	TITLE 9.53/.375" SR BTS, PC MOUNTING END ASSY.		CHECKED BY JMACNEIL DATE 2011/12/14	APPROVED BY JMACNEIL DATE 2012/03/12	MOLEX INCORPORATED		MATERIAL NO. SEE CHART	DOCUMENT NO. SD-38710-007
DRAFT WHERE APPLICABLE MUST REMAIN WITHIN DIMENSIONS			THIS DRAWING CONTAINS INFORMATION THAT IS PROPRIETARY TO MOLEX INCORPORATED AND SHOULD NOT BE USED WITHOUT WRITTEN PERMISSION								

9 8 7 6 5 4 3 2 1