



**Distributor of Molex Connector Corporation: Excellent Integrated System Limited**

Datasheet of 0387106209 - Connector Barrier Block Strip 9 Circuit 0.375" (9.53mm)

Contact us: [sales@integrated-circuit.com](mailto:sales@integrated-circuit.com) Website: [www.integrated-circuit.com](http://www.integrated-circuit.com)

---

## **Excellent Integrated System Limited**

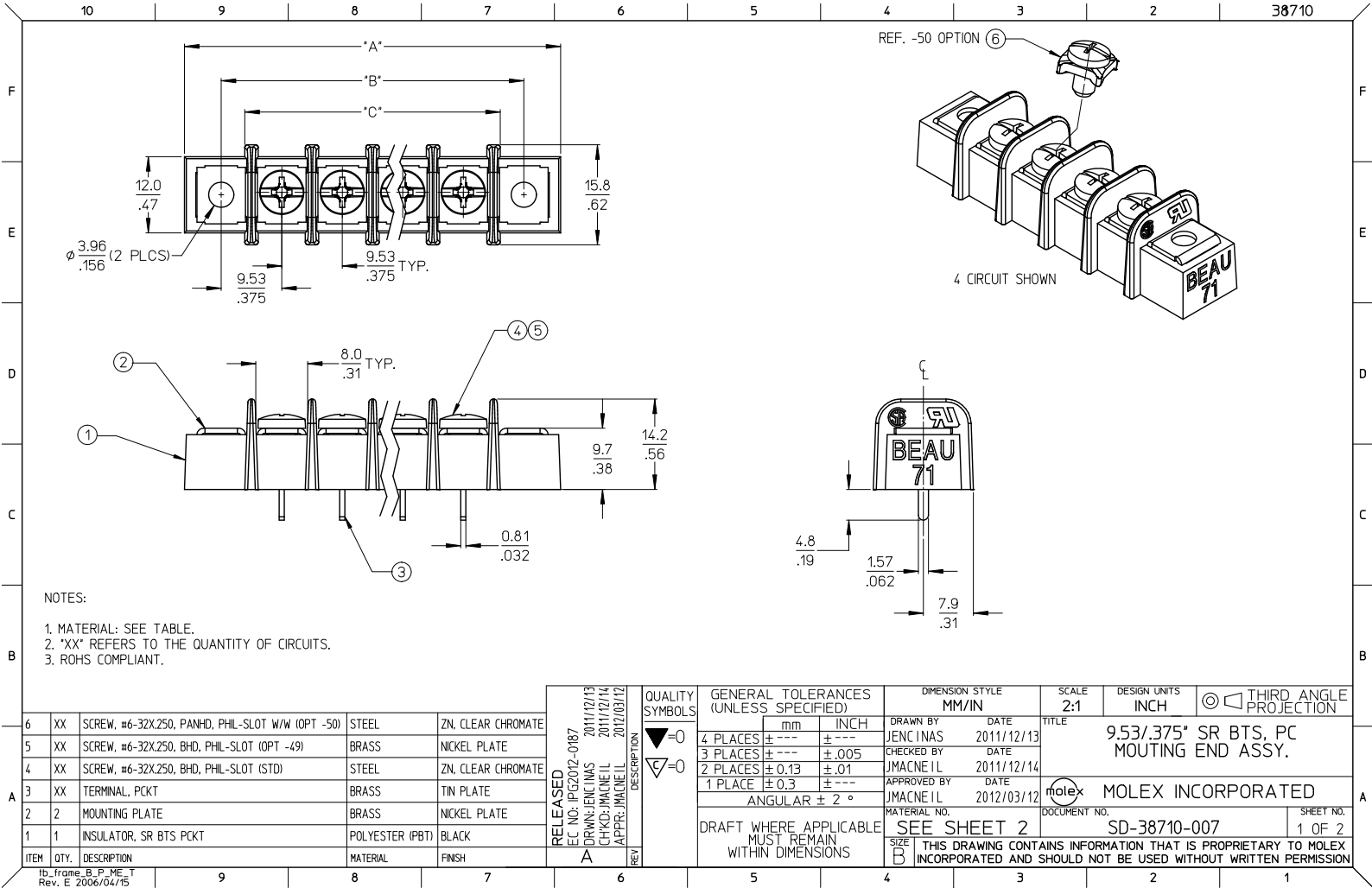
Stocking Distributor

Click to view price, real time Inventory, Delivery & Lifecycle Information:

[Molex Connector Corporation](#)  
[0387106209](#)

For any questions, you can email us directly:

[sales@integrated-circuit.com](mailto:sales@integrated-circuit.com)



- NOTES:
1. MATERIAL: SEE TABLE.
  2. "XX" REFERS TO THE QUANTITY OF CIRCUITS.
  3. ROHS COMPLIANT.

|      |      |   |                 |                    |  |                               |                                       |        |  |      |   |              |                        |  |
|------|------|---|-----------------|--------------------|--|-------------------------------|---------------------------------------|--------|--|------|---|--------------|------------------------|--|
| 6    | XX   | SCREW, #6-32X.250, PANHD, PHIL-SLOT W/W (OPT -50) | STEEL           | ZN, CLEAR CHROMATE | RELEASED<br>EC NO: IPG2012-0187<br>DRAWN: JENCINAS 2011/12/13<br>CHECKED: JMACNEIL 2011/12/14<br>APPR: JMACNEIL 2012/03/12 | QUALITY SYMBOLS<br>▽=0<br>▽=0 | GENERAL TOLERANCES (UNLESS SPECIFIED) |        | DIMENSION STYLE                                      |      | SCALE   | DESIGN UNITS | THIRD ANGLE PROJECTION |  |
| 5    | XX   | SCREW, #6-32X.250, BHD, PHIL-SLOT (OPT -49)       | BRASS           | NICKEL PLATE       |  |                               | mm                                    | INCH   | 2:1  | INCH | DRAWN BY DATE<br>JENCINAS 2011/12/13  |              |                        |  |
| 4    | XX   | SCREW, #6-32X.250, BHD, PHIL-SLOT (STD)           | STEEL           | ZN, CLEAR CHROMATE |  |                               | 4 PLACES ± .005                       | ± .005 | CHECKED BY DATE<br>JMACNEIL 2011/12/14               |      | TITLE<br>9.53/.375" SR BTS, PC MOUNTING END ASSY.<br><br>APPROVED BY DATE<br>JMACNEIL 2012/03/12<br>MATERIAL NO. SEE SHEET 2<br>DOCUMENT NO. SD-38710-007<br>SHEET NO. 1 OF 2 |              |                        |  |
| 3    | XX   | TERMINAL, PKCT                                    | BRASS           | TIN PLATE          |  |                               | 3 PLACES ± .01                        | ± .01  | APPROVED BY DATE<br>JMACNEIL 2012/03/12              |      |   |              |                        |  |
| 2    | 2    | MOUNTING PLATE                                    | BRASS           | NICKEL PLATE       |  |                               | 2 PLACES ± 0.13                       | ± .01  | MATERIAL NO. SEE SHEET 2                             |      | MOLEX INCORPORATED  |              |                        |  |
| 1    | 1    | INSULATOR, SR BTS PKCT                            | POLYESTER (PBT) | BLACK              |  |                               | 1 PLACE ± 0.3                         | ± .005 | DRAFT WHERE APPLICABLE MUST REMAIN WITHIN DIMENSIONS |      | THIS DRAWING CONTAINS INFORMATION THAT IS PROPRIETARY TO MOLEX INCORPORATED AND SHOULD NOT BE USED WITHOUT WRITTEN PERMISSION   |              |                        |  |
| ITEM | QTY. | DESCRIPTION                                       | MATERIAL        | FINISH             | REV  | DESCRIPTION                   |                                       |        |  |      |   |              |                        |  |



10 9 8 7 6 5 4 3 2 38710

| NO. OF CIRCUITS | DIM. 'A' |       | DIM. 'B' |       | DIM. 'C' |      | ASSEMBLY MATERIAL NO. (STD) | ASSEMBLY MATERIAL NO. (-49 OPT) | ASSEMBLY MATERIAL NO. (-50 OPT) |
|-----------------|----------|-------|----------|-------|----------|------|-----------------------------|---------------------------------|---------------------------------|
|                 | mm       | in    | mm       | in    | mm       | in   |                             |                                 |                                 |
| 02              | 40.1     | 1.58  | 28.6     | 1.13  | 21.1     | 0.83 | 387106202                   | 387106802                       | 387107402                       |
| 03              | 49.7     | 1.96  | 38.1     | 1.50  | 30.6     | 1.21 | 387106203                   | 387106803                       | 387107403                       |
| 04              | 59.2     | 2.33  | 47.6     | 1.88  | 40.1     | 1.58 | 387106204                   | 387106804                       | 387107404                       |
| 05              | 68.7     | 2.71  | 57.1     | 2.25  | 49.7     | 1.96 | 387106205                   | 387106805                       | 387107405                       |
| 06              | 78.2     | 3.08  | 66.6     | 2.63  | 59.2     | 2.33 | 387106206                   | 387106806                       | 387107406                       |
| 07              | 87.8     | 3.46  | 76.2     | 3.00  | 68.7     | 2.71 | 387106207                   | 387106807                       | 387107407                       |
| 08              | 97.3     | 3.83  | 85.7     | 3.38  | 78.2     | 3.08 | 387106208                   | 387106808                       | 387107408                       |
| 09              | 106.8    | 4.21  | 95.2     | 3.75  | 87.8     | 3.46 | 387106209                   | 387106809                       | 387107409                       |
| 10              | 116.3    | 4.58  | 104.8    | 4.13  | 97.3     | 3.83 | 387106210                   | 387106810                       | 387107410                       |
| 11              | 125.9    | 4.96  | 114.3    | 4.50  | 106.8    | 4.21 | 387106211                   | 387106811                       | 387107411                       |
| 12              | 135.4    | 5.33  | 123.8    | 4.88  | 116.3    | 4.58 | 387106212                   | 387106812                       | 387107412                       |
| 13              | 144.9    | 5.71  | 133.3    | 5.25  | 125.9    | 4.96 | 387106213                   | 387106813                       | 387107413                       |
| 14              | 154.4    | 6.08  | 142.9    | 5.63  | 135.4    | 5.33 | 387106214                   | 387106814                       | 387107414                       |
| 15              | 164.0    | 6.46  | 152.4    | 6.00  | 144.9    | 5.71 | 387106215                   | 387106815                       | 387107415                       |
| 16              | 173.5    | 6.83  | 161.9    | 6.38  | 154.4    | 6.08 | 387106216                   | 387106816                       | 387107416                       |
| 17              | 183.0    | 7.21  | 171.4    | 6.75  | 164.0    | 6.46 | 387106217                   | 387106817                       | 387107417                       |
| 18              | 192.5    | 7.58  | 181.0    | 7.13  | 173.5    | 6.83 | 387106218                   | 387106818                       | 387107418                       |
| 19              | 202.1    | 7.96  | 190.5    | 7.50  | 183.0    | 7.21 | 387106219                   | 387106819                       | 387107419                       |
| 20              | 211.6    | 8.33  | 200.0    | 7.88  | 192.5    | 7.58 | 387106220                   | 387106820                       | 387107420                       |
| 21              | 221.1    | 8.71  | 209.5    | 8.25  | 202.1    | 7.96 | 387106221                   | 387106821                       | 387107421                       |
| 22              | 230.6    | 9.08  | 219.1    | 8.63  | 211.6    | 8.33 | 387106222                   | 387106822                       | 387107422                       |
| 23              | 240.2    | 9.46  | 228.6    | 9.00  | 221.1    | 8.71 | 387106223                   | 387106823                       | 387107423                       |
| 24              | 249.7    | 9.83  | 238.1    | 9.38  | 230.6    | 9.08 | 387106224                   | 387106824                       | 387107424                       |
| 25              | 259.2    | 10.21 | 247.6    | 9.75  | 240.2    | 9.46 | 387106225                   | 387106825                       | 387107425                       |
| 26              | 268.7    | 10.58 | 257.2    | 10.13 | 249.7    | 9.83 | 387106226                   | 387106826                       | 387107426                       |

|  |                               |                       |   |   |   |   |                    |                      |                        |
|--|-------------------------------|-----------------------|---|---|---|---|--------------------|----------------------|------------------------|
| SEE SHEET ONE<br>IEC NO: IPG2012-0187<br>DRAWN: JENCINS 2011/12/13<br>CHKD: JMACNEIL 2011/12/14<br>APPR: JMACNEIL 2012/03/12 | QUALITY SYMBOLS<br>= 0<br>= 0 | DESCRIPTION<br>REV: A | GENERAL TOLERANCES (UNLESS SPECIFIED)   |   | DIMENSION STYLE<br>MM/IN  |   | SCALE<br>2:1       | DESIGN UNITS<br>INCH | THIRD ANGLE PROJECTION |
|  |                               |                       | 4 PLACES ± --- ± ---<br>3 PLACES ± --- ± .005<br>2 PLACES ± 0.13 ± .01<br>1 PLACE ± 0.3 ± ---<br>ANGULAR ± 2° | DRAWN BY<br>JENCINS<br>DATE<br>2011/12/13 | CHECKED BY<br>JMACNEIL<br>DATE<br>2011/12/14  | TITLE<br>9.53/.375" SR BTS, PC MOUNTING END ASSY. |                    |                      |                        |
| DRAFT WHERE APPLICABLE MUST REMAIN WITHIN DIMENSIONS   |                               |                       | MATERIAL NO.<br>SEE CHART   |   | APPROVED BY<br>JMACNEIL<br>DATE<br>2012/03/12   |   | MOLEX INCORPORATED |                      | SHEET NO.<br>2 OF 2    |
|  |                               |                       | DOCUMENT NO.<br>SD-38710-007  |   | THIS DRAWING CONTAINS INFORMATION THAT IS PROPRIETARY TO MOLEX INCORPORATED AND SHOULD NOT BE USED WITHOUT WRITTEN PERMISSION |   |                    |                      |                        |

9 8 7 6 5 4 3 2 1