



Distributor of Molex Connector Corporation: Excellent Integrated System Limited
Datasheet of 0387207523 - Connector Barrier Block Strip 23 Circuit 0.375" (9.53mm)

Contact us: sales@integrated-circuit.com Website: www.integrated-circuit.com

Excellent Integrated System Limited

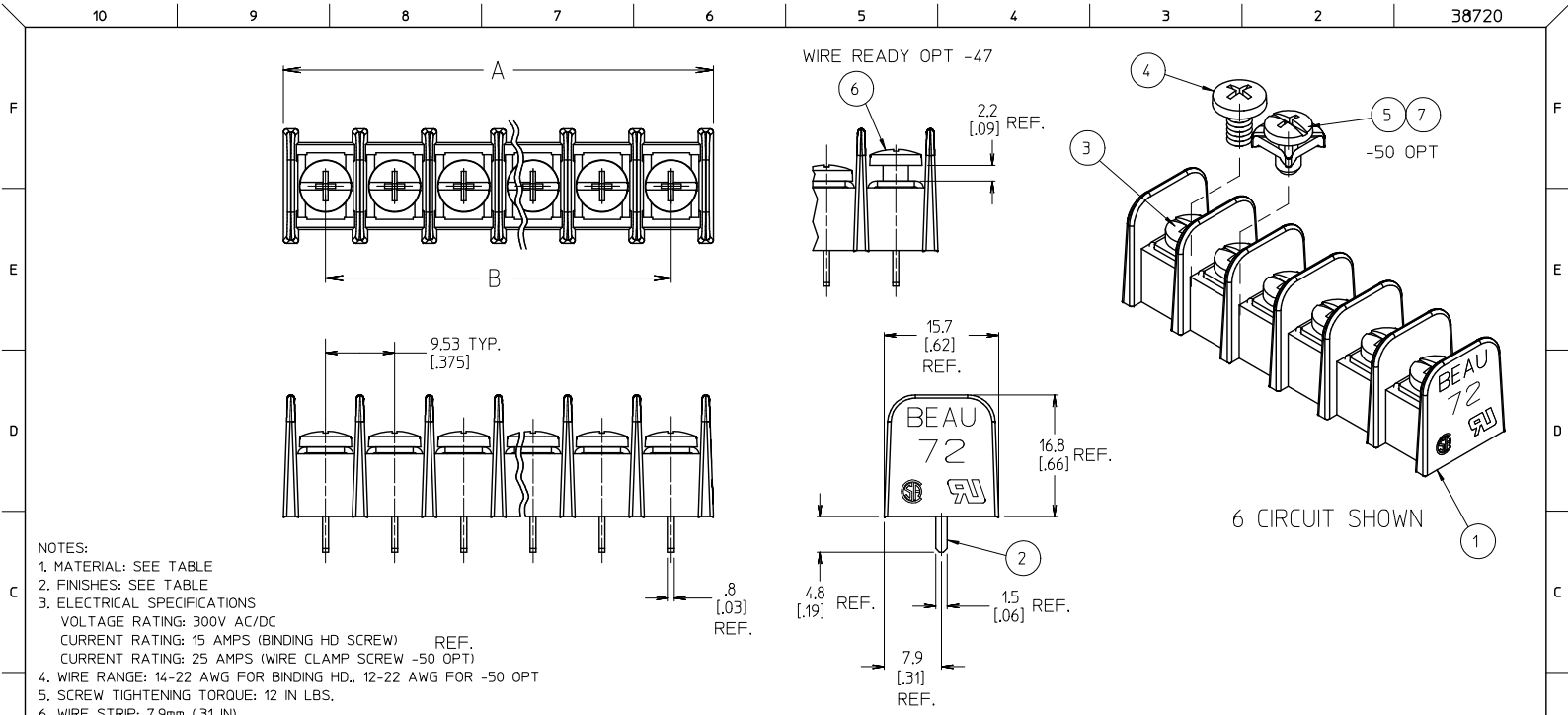
Stocking Distributor

Click to view price, real time Inventory, Delivery & Lifecycle Information:

[Molex Connector Corporation](#)
[0387207523](#)

For any questions, you can email us directly:

sales@integrated-circuit.com



- NOTES:
 1. MATERIAL: SEE TABLE
 2. FINISHES: SEE TABLE
 3. ELECTRICAL SPECIFICATIONS
 VOLTAGE RATING: 300V AC/DC
 CURRENT RATING: 15 AMPS (BINDING HD SCREW) REF.
 CURRENT RATING: 25 AMPS (WIRE CLAMP SCREW -50 OPT)
 4. WIRE RANGE: 14-22 AWG FOR BINDING HD., 12-22 AWG FOR -50 OPT
 5. SCREW TIGHTENING TORQUE: 12 IN LBS.
 6. WIRE STRIP: 7.9mm (.31 IN)
 7. OPERATING TEMP: -40°C TO +100°C
 4. PRODUCT SPEC: PS-38710-001
 5. XX REFERS TO NUMBER OF CIRCUITS

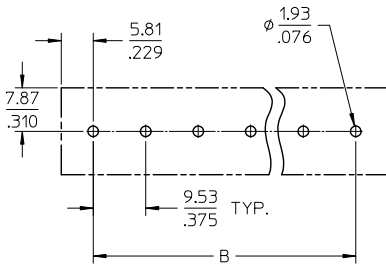
Ⓑ REF. THIS DRAWING SUPERSEDES CADKEY DOC SD-38720-002, REV-A

ITEM	QTY	DESCRIPTION	MATERIAL	FINISH	REV	DESCRIPTION	QUALITY SYMBOLS	GENERAL TOLERANCES (UNLESS SPECIFIED)	DIMENSION STYLE	SCALE	DESIGN UNITS	THIRD ANGLE PROJECTION	
7	XX	6-32 PHSL SCR W/WSHR, NOKROM (-50-92 OPT)	STEEL	ZINC/NOKROM PLATED		REVISIONS & REVISED	▽=0	4 PLACES ±---	MM/IN	1:10	INCH	THIRD ANGLE PROJECTION	
6	XX	6-32 BHD PHIL-SLOT SCR, WRD (-47 OPTION)	BRASS	NICKEL PLATED		REVISED	▽=0	3 PLACES ±---					
5	XX	6-32 PHSL SCR W/WSHR (-50 OPTION)	STEEL	ZINC PLATED		2016/01/11		2 PLACES ±---					
4	XX	6-32 BHD PHIL-SLOTTED SCREW (-49 OPTION)	BRASS	NICKEL PLATED		2016/01/14		1 PLACE ±0.3					
3	XX	6-32 SCREW PHIL-SLOTTED (STANDARD)	STEEL	ZINC PLATED		2016/01/13		0 PLACE ±---					
2	XX	TERMINAL	BRASS	TIN PLATED									
1	1	BARRIER	PBT	BLACK									
		MATERIAL		FINISH		REVISIONS & REVISED		GENERAL TOLERANCES (UNLESS SPECIFIED)		DESIGN UNITS		THIRD ANGLE PROJECTION	
						DRAWN BY: RSTONE		DATE: 2016/01/11		TITLE: 9.53MM [0.375] SR BTS PC ASSY, NO MTG			
						CHECKED BY: MZIELINSKI		DATE: 2016/01/14		DRAWING NO: SD-38720-002			
						APPROVED BY: BRUPERT		DATE: 2016/01/13		MATERIAL NO. SEE SHEET 2		SHEET NO. 1 OF 2	
								ANGULAR ± 1°		DOCUMENT NO. SD-38720-002			
								DRAFT WHERE APPLICABLE MUST REMAIN WITHIN DIMENSIONS		THIS DRAWING CONTAINS INFORMATION THAT IS PROPRIETARY TO MOLEX INCORPORATED AND SHOULD NOT BE USED WITHOUT WRITTEN PERMISSION			

10 9 8 7 6 5 4 3 2 38720

MATERIAL NO. (OPT -C-50-92)	MATERIAL NO. (OPT -C,-47)	MATERIAL NO. (OPT -C,-50)	MATERIAL NO. (OPT -C,-49)	MATERIAL NO. (OPT -C)	MATERIAL NO. (INSULATOR)	NUMBER OF CIRCUITS "XX"	DIM. TOL "A" 0.25/[+0.10]	DIM. "B"
	38720-8102	38720-7502	38720-6902	38720-6302	38728-0035	02	211 [83]	9.53 [375]
38729-1348	38720-8103	38720-7503	38720-6903	38720-6303	38728-0036	03	30.7 [121]	19.05 [750]
38729-1349	38720-8104	38720-7504	38720-6904	38720-6304	38728-0037	04	40.1 [158]	28.58 [1125]
38729-1350	38720-8105	38720-7505	38720-6905	38720-6305	38728-0038	05	49.8 [196]	38.10 [1500]
	38720-8106	38720-7506	38720-6906	38720-6306	38728-0039	06	59.2 [233]	47.63 [1875]
	38720-8107	38720-7507	38720-6907	38720-6307	38728-0040	07	68.8 [271]	57.15 [2250]
	38720-8108	38720-7508	38720-6908	38720-6308	38728-0041	08	78.3 [308]	66.68 [2625]
	38720-8109	38720-7509	38720-6909	38720-6309	38728-0042	09	87.8 [346]	76.20 [3000]
	38720-8110	38720-7510	38720-6910	38720-6310	38728-0043	10	97.3 [383]	85.73 [3375]
38729-1495	38720-8111	38720-7511	38720-6911	38720-6311	38728-0044	11	106.9 [421]	95.25 [3750]
38729-1351	38720-8112	38720-7512	38720-6912	38720-6312	38728-0045	12	116.3 [458]	104.78 [4125]
	38720-8113	38720-7513	38720-6913	38720-6313	38728-0046	13	126.0 [496]	114.30 [4500]
38729-1346	38720-8114	38720-7514	38720-6914	38720-6314	38728-0047	14	135.3 [533]	123.83 [4875]
38729-1352	38720-8115	38720-7515	38720-6915	38720-6315	38728-0048	15	145.0 [571]	133.35 [5250]
38729-1353	38720-8116	38720-7516	38720-6916	38720-6316	38728-0049	16	154.4 [608]	142.88 [5625]
	38720-8117	38720-7517	38720-6917	38720-6317	38728-0050	17	164.1 [646]	152.40 [6000]
	38720-8118	38720-7518	38720-6918	38720-6318	38728-0051	18	173.5 [683]	161.93 [6375]
	38720-8119	38720-7519	38720-6919	38720-6319	38728-0052	19	183.1 [721]	171.45 [6750]
	38720-8120	38720-7520	38720-6920	38720-6320	38728-0053	20	192.5 [758]	180.98 [7125]
38729-1347	38720-8121	38720-7521	38720-6921	38720-6321	38728-0054	21	202.2 [796]	190.50 [7500]
	38720-8122	38720-7522	38720-6922	38720-6322	38728-0055	22	211.6 [833]	200.03 [7875]
	38720-8123	38720-7523	38720-6923	38720-6323	38728-0056	23	221.2 [871]	209.55 [8250]
	38720-8124	38720-7524	38720-6924	38720-6324	38728-0057	24	230.6 [908]	219.08 [8625]
	38720-8125	38720-7525	38720-6925	38720-6325	38728-0058	25	240.3 [946]	228.60 [9000]
	38720-8126	38720-7526	38720-6926	38720-6326	38728-0059	26	249.6 [983]	238.13 [9375]

PTH PATTERN



ADD PARTS TO TABLE FILE NO. P-02016-0979 DRAWN BY: RSTONE 2016/01/11 CHECKED BY: MZIELINSKI 2016/01/14 APPROVED BY: BRUPERT 2016/01/13	QUALITY SYMBOLS ▽=0 ▽=0	GENERAL TOLERANCES (UNLESS SPECIFIED)		DIMENSION STYLE MM/IN		SCALE 1:1	DESIGN UNITS INCH	THIRD ANGLE PROJECTION	
		4 PLACES ± .010	± .010	DRAWN BY RSTONE	DATE 2016/01/11	TITLE 9.53MM [375] SR BTS PC ASSY, NO MTG molex DOCUMENT NO. SD-38720-002 SHEET NO. 2 OF 2			
		3 PLACES ± .010	± .010	CHECKED BY MZIELINSKI	DATE 2016/01/14				
		2 PLACES ± .010	± .010	APPROVED BY BRUPERT	DATE 2016/01/13				
1 PLACE ± 0.3	± .010	MATERIAL NO. -							
0 PLACE ± .010	± .010	ANGULAR ± 1°							
DRAFT WHERE APPLICABLE MUST REMAIN WITHIN DIMENSIONS		THIS DRAWING CONTAINS INFORMATION THAT IS PROPRIETARY TO MOLEX INCORPORATED AND SHOULD NOT BE USED WITHOUT WRITTEN PERMISSION							

9 8 7 6 5 4 3 2 1