



**Distributor of Molex Connector Corporation: Excellent Integrated System Limited**

Datasheet of 0387291652 - Connector Barrier Block Strip 4 Circuit 0.375" (9.53mm)

Contact us: [sales@integrated-circuit.com](mailto:sales@integrated-circuit.com) Website: [www.integrated-circuit.com](http://www.integrated-circuit.com)

---

## **Excellent Integrated System Limited**

Stocking Distributor

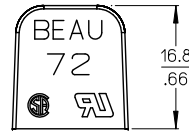
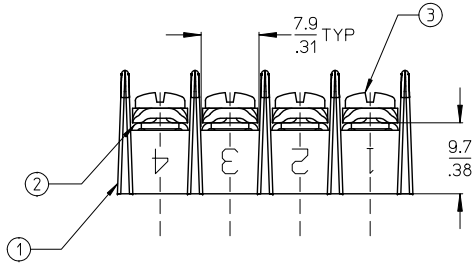
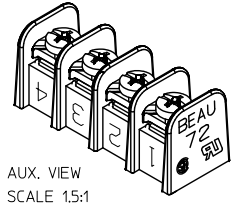
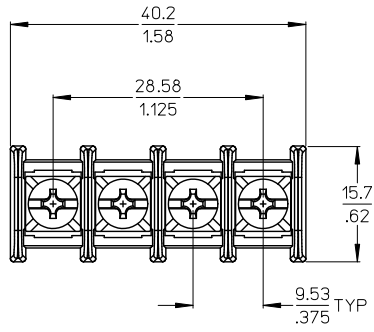
Click to view price, real time Inventory, Delivery & Lifecycle Information:

[Molex Connector Corporation](#)  
[0387291652](#)

For any questions, you can email us directly:

[sales@integrated-circuit.com](mailto:sales@integrated-circuit.com)

10 9 8 7 6 5 4 3 2 38729



- NOTES:  
 1. MATERIAL: SEE TABLE.  
 2. FINISHES: SEE TABLE.  
 3. PRODUCT SPECIFICATION: NOT REQUIRED.  
 4. IMPRINT TEXT IN OPTION -1B.  
 5. ROHS COMPLIANT.

ITEM	QTY	DESCRIPTION	MATERIAL	FINISH
3	4	SCREW W/WASHER, #6-32X.250 PAN, PH/SL (-50 OPT)	STEEL	ZN, CLEAR CHROMATE
2	4	TERMINAL, CB 6C SN/B	BRASS	TIN PLATE
1	1	SR BTS INSULATOR, CB MO C	POLYESTER (PBT)	BLACK

INITIAL RELEASE EC NO: WNA2012-0001 DRAWN: JENCINAS 2011/07/08 CHKD: JMACNEIL 2011/09/07 APPR: JMACNEIL 2011/09/07	QUALITY SYMBOLS ▽=0 ▽=0	GENERAL TOLERANCES (UNLESS SPECIFIED)		DIMENSION STYLE MM/IN		SCALE 2:1	DESIGN UNITS INCH	THIRD ANGLE PROJECTION
		4 PLACES ± .005 ± .005 3 PLACES ± .005 ± .005 2 PLACES ± 0.13 ± .010 1 PLACE ± 0.3 ± .010 ANGULAR ± 2°	DRAWN BY JENCINAS	DATE 2011/07/08	TITLE 9.53MM/.375" SR BTS CB ASSY., -C, -50, -11B (72104-C-50-11B)			
DRAFT WHERE APPLICABLE MUST REMAIN WITHIN DIMENSIONS		APPROVED BY JMACNEIL	DATE 2011/09/07	MATERIAL NO. 387291652		DOCUMENT NO. SD-38729-063		SHEET NO. 1 OF 1
THIS DRAWING CONTAINS INFORMATION THAT IS PROPRIETARY TO MOLEX INCORPORATED AND SHOULD NOT BE USED WITHOUT WRITTEN PERMISSION								

9 8 7 6 5 4 3 2 1