



Distributor of Molex Connector Corporation: Excellent Integrated System Limited
Datasheet of 0387306302 - Connector Barrier Block Strip 2 Circuit 0.438" (11.12mm)

Contact us: sales@integrated-circuit.com Website: www.integrated-circuit.com

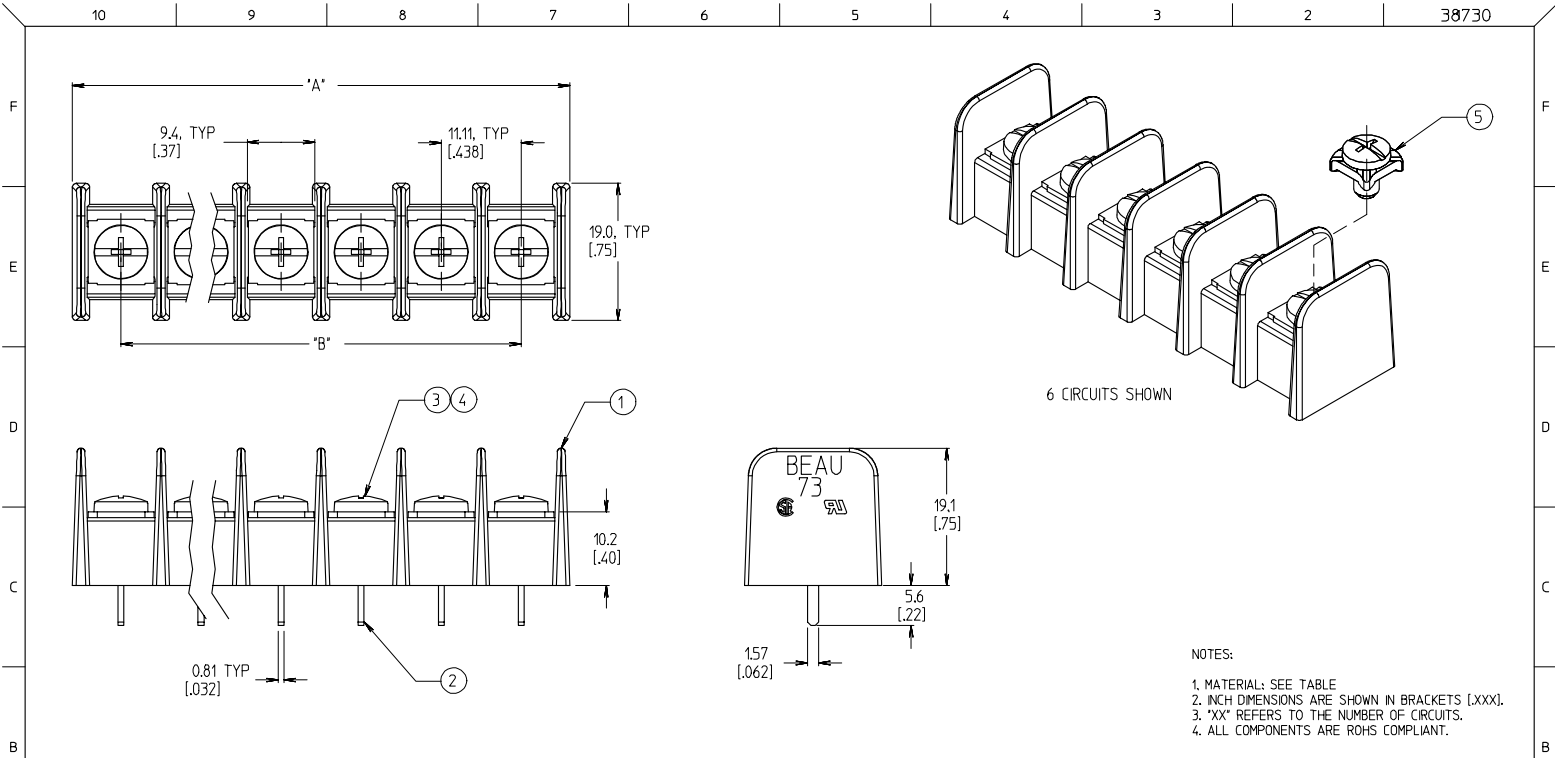
Excellent Integrated System Limited

Stocking Distributor

Click to view price, real time Inventory, Delivery & Lifecycle Information:

[Molex Connector Corporation](#)
[0387306302](#)

For any questions, you can email us directly:
sales@integrated-circuit.com



NOTES:
 1. MATERIAL: SEE TABLE
 2. INCH DIMENSIONS ARE SHOWN IN BRACKETS [.XXX].
 3. "XX" REFERS TO THE NUMBER OF CIRCUITS.
 4. ALL COMPONENTS ARE ROHS COMPLIANT.

ITEM	QTY	DESCRIPTION	MATERIAL	FINISH
5	XX	#6-32 SCREW W/ WASHER (OPT -50)	STEEL	ZNC CLEAR CHROMATE
4	XX	#6-32 SCREW (OPT -49)	BRASS	NCKEL
3	XX	#6-32 SCREW (STD)	STEEL	ZNC CLEAR CHROMATE
2	XX	#6-32 TERMINAL, PC STYLE	BRASS	TIN
1	1	INSULATOR, SR, NO MTG	THERMOPLASTIC	BLACK

INITIAL RELEASE EC NO: ETC2007-0073 DRW:EHILE 2006/08/24 CHKD:JMACEIL 2006/08/24 APPR:JMACEIL 2006/08/24	QUALITY SYMBOLS ▽=0 ▽=0	GENERAL TOLERANCES (UNLESS SPECIFIED)		DIMENSION STYLE MM/IN	SCALE 2:1	DESIGN UNITS INCH	THIRD ANGLE PROJECTION	
		4 PLACES ± --- ± ---	3 PLACES ± --- ± .005	DRAWN BY EHILE	DATE 2006/08/24	TITLE 11.11 [.438] SR BTS ASY, PC TERMINAL, NO MTG, -C		
		2 PLACES ± 0.13 ± .01	1 PLACE ± 0.3 ± ---	CHECKED BY JMACEIL	DATE 2006/08/24	APPROVED BY JMACEIL		
		ANGULAR ± 2 °		APPROVED BY JMACEIL		DATE 2006/08/24	MOLEX INCORPORATED	
DRAFT WHERE APPLICABLE MUST REMAIN WITHIN DIMENSIONS		SEE CHART		MATERIAL NO.	DOCUMENT NO. SD-38730-003	SHEET NO. 1 OF 2		
THIS DRAWING CONTAINS INFORMATION THAT IS PROPRIETARY TO MOLEX INCORPORATED AND SHOULD NOT BE USED WITHOUT WRITTEN PERMISSION								

