



Distributor of Molex Connector Corporation: Excellent Integrated System Limited
Datasheet of 0387307502 - Connector Barrier Block Strip 2 Circuit 0.438" (11.12mm)

Contact us: sales@integrated-circuit.com Website: www.integrated-circuit.com

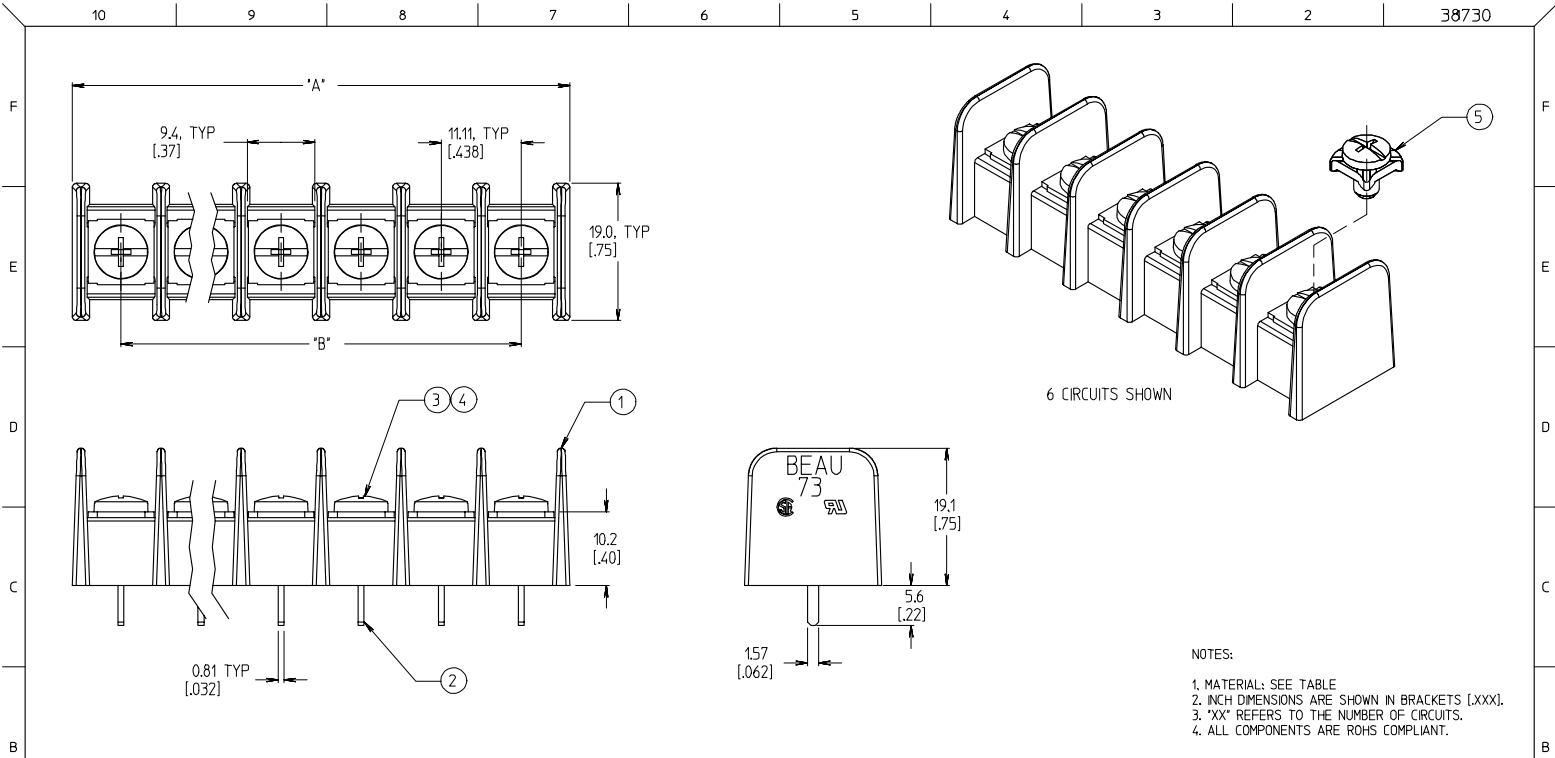
Excellent Integrated System Limited

Stocking Distributor

Click to view price, real time Inventory, Delivery & Lifecycle Information:

[Molex Connector Corporation](#)
[0387307502](#)

For any questions, you can email us directly:
sales@integrated-circuit.com



NOTES:
 1. MATERIAL: SEE TABLE
 2. INCH DIMENSIONS ARE SHOWN IN BRACKETS [.XXX].
 3. "XX" REFERS TO THE NUMBER OF CIRCUITS.
 4. ALL COMPONENTS ARE ROHS COMPLIANT.

| ITEM | QTY | DESCRIPTION | MATERIAL | FINISH |
|------|-----|---------------------------------|---------------|--------------------|
| 5 | XX | #6-32 SCREW W/ WASHER (OPT -50) | STEEL | ZNC CLEAR CHROMATE |
| 4 | XX | #6-32 SCREW (OPT -49) | BRASS | NCKEL |
| 3 | XX | #6-32 SCREW (STD) | STEEL | ZNC CLEAR CHROMATE |
| 2 | XX | #6-32 TERMINAL, PC STYLE | BRASS | TIN |
| 1 | 1 | INSULATOR, SR, NO MTG | THERMOPLASTIC | BLACK |

| | | | | | | | | | |
|--|-------------------------------|--|------------------------------|------------------------------|--|----------------------|---|--|--|
| INITIAL RELEASE EC NO: ETC2007-0073 DRW:EHILE 2006/08/24 CHKD:JMACEIL 2006/08/24 APPR:JMACEIL 2006/08/24 | QUALITY SYMBOLS ▽=0 ▽=0 | GENERAL TOLERANCES (UNLESS SPECIFIED) | | DIMENSION STYLE MM/IN | SCALE 2:1 | DESIGN UNITS INCH | THIRD ANGLE PROJECTION | | |
| | | 4 PLACES ± --- ± --- 3 PLACES ± --- ± .005 2 PLACES ± 0.13 ± .01 1 PLACE ± 0.3 ± --- ANGULAR ± 2 ° | DRAWN BY EHILE | DATE 2006/08/24 | TITLE 11.11 [.438] SR BTS ASY, PC TERMINAL, NO MTG, -C | | | | |
| | | DRAFT WHERE APPLICABLE MUST REMAIN WITHIN DIMENSIONS | APPROVED BY JMACEIL | DATE 2006/08/24 | MOLEX INCORPORATED | | | | |
| | | SEE CHART | MATERIAL NO. SD-38730-003 | DOCUMENT NO. SD-38730-003 | SHEET NO. 1 OF 2 | | THIS DRAWING CONTAINS INFORMATION THAT IS PROPRIETARY TO MOLEX INCORPORATED AND SHOULD NOT BE USED WITHOUT WRITTEN PERMISSION | | |

10 9 8 7 6 5 4 3 2 38730

| NO. OF CIRCUITS "XX" | DIM. "A" | | DIM. "B" | | ASSEMBLY MATERIAL NO. (-C OPT) | ASSEMBLY MATERIAL NO. (-C-49 OPT) | ASSEMBLY MATERIAL NO. (-C-50 OPT) |
|----------------------|----------|-------|----------|--------|--------------------------------|-----------------------------------|-----------------------------------|
| | mm | INCH | mm | INCH | | | |
| 02 | 24.5 | 0.97 | 11.11 | 0.438 | 387306302 | 387306902 | 387307502 |
| 03 | 35.7 | 1.40 | 22.23 | 0.875 | 387306303 | 387306903 | 387307503 |
| 04 | 46.8 | 1.84 | 33.34 | 1.313 | 387306304 | 387306904 | 387307504 |
| 05 | 57.9 | 2.28 | 44.45 | 1.750 | 387306305 | 387306905 | 387307505 |
| 06 | 69.0 | 2.72 | 55.56 | 2.188 | 387306306 | 387306906 | 387307506 |
| 07 | 80.1 | 3.15 | 66.68 | 2.625 | 387306307 | 387306907 | 387307507 |
| 08 | 91.2 | 3.59 | 77.79 | 3.063 | 387306308 | 387306908 | 387307508 |
| 09 | 102.3 | 4.03 | 88.90 | 3.500 | 387306309 | 387306909 | 387307509 |
| 10 | 113.4 | 4.47 | 100.01 | 3.938 | 387306310 | 387306910 | 387307510 |
| 11 | 124.6 | 4.90 | 111.13 | 4.375 | 387306311 | 387306911 | 387307511 |
| 12 | 135.7 | 5.34 | 122.24 | 4.813 | 387306312 | 387306912 | 387307512 |
| 13 | 146.8 | 5.78 | 133.35 | 5.250 | 387306313 | 387306913 | 387307513 |
| 14 | 157.9 | 6.22 | 144.46 | 5.688 | 387306314 | 387306914 | 387307514 |
| 15 | 169.0 | 6.65 | 155.58 | 6.125 | 387306315 | 387306915 | 387307515 |
| 16 | 180.1 | 7.09 | 166.69 | 6.563 | 387306316 | 387306916 | 387307516 |
| 17 | 191.2 | 7.53 | 177.80 | 7.000 | 387306317 | 387306917 | 387307517 |
| 18 | 202.3 | 7.97 | 188.91 | 7.438 | 387306318 | 387306918 | 387307518 |
| 19 | 213.5 | 8.40 | 200.03 | 7.875 | 387306319 | 387306919 | 387307519 |
| 20 | 224.6 | 8.84 | 211.14 | 8.313 | 387306320 | 387306920 | 387307520 |
| 21 | 235.7 | 9.28 | 222.25 | 8.750 | 387306321 | 387306921 | 387307521 |
| 22 | 246.8 | 9.72 | 233.36 | 9.188 | 387306322 | 387306922 | 387307522 |
| 23 | 257.9 | 10.15 | 244.48 | 9.625 | 387306323 | 387306923 | 387307523 |
| 24 | 269.0 | 10.59 | 255.59 | 10.063 | 387306324 | 387306924 | 387307524 |
| 25 | 280.1 | 11.03 | 266.70 | 10.500 | 387306325 | 387306925 | 387307525 |
| 26 | 291.2 | 11.47 | 277.81 | 10.938 | 387306326 | 387306926 | 387307526 |
| 27 | 302.4 | 11.90 | 288.93 | 11.375 | 387306327 | 387306927 | 387307527 |
| 28 | 313.5 | 12.34 | 300.04 | 11.813 | 387306328 | 387306928 | 387307528 |
| 29 | 324.6 | 12.78 | 311.15 | 12.250 | 387306329 | 387306929 | 387307529 |
| 30 | 335.7 | 13.22 | 322.26 | 12.688 | 387306330 | 387306930 | 387307530 |

| | | | | | | | | |
|---|-------------------------------|---------------------------------------|------------|-----------------|--------------|--------------|--|--|
| INITIAL RELEASE EC NO: ETC2007-0073 DRAWN BY: EHILE CHKD: JMACNEIL APPR: JMACNEIL 2006/08/28 2006/08/28 2006/08/28 | QUALITY SYMBOLS ▽=0 ▽=0 | GENERAL TOLERANCES (UNLESS SPECIFIED) | | DIMENSION STYLE | SCALE | DESIGN UNITS | THIRD ANGLE PROJECTION | |
| | | 4 PLACES | ± --- | ± --- | MM/IN | 2:1 | INCH | 11.11 [438] SR BTS ASY, PC TERMINAL, NO MTG, -C MOLEX INCORPORATED |
| | | 3 PLACES | ± --- | ± .005 | DRAWN BY | DATE | TITLE | |
| | | 2 PLACES | ± 0.13 | ± .01 | EHILE | 2006/08/24 | 11.11 [438] SR BTS ASY, PC TERMINAL, NO MTG, -C | |
| 1 PLACE | ± 0.3 | ± --- | CHECKED BY | DATE | | | | |
| ANGULAR ± 2 ° | | APPROVED BY | | DATE | | | | |
| DRAFT WHERE APPLICABLE MUST REMAIN WITHIN DIMENSIONS | | MATERIAL NO. | | SEE CHART | DOCUMENT NO. | SHEET NO. | | |
| | | SD-38730-003 | | SD-38730-003 | | 2 OF 2 | | |
| THIS DRAWING CONTAINS INFORMATION THAT IS PROPRIETARY TO MOLEX INCORPORATED AND SHOULD NOT BE USED WITHOUT WRITTEN PERMISSION | | | | | | | | |

9 8 7 6 5 4 3 2 1