



Distributor of Molex Connector Corporation: Excellent Integrated System Limited
Datasheet of 0387316606 - Connector Barrier Block Strip 6 Circuit 0.438" (11.12mm)

Contact us: sales@integrated-circuit.com Website: www.integrated-circuit.com

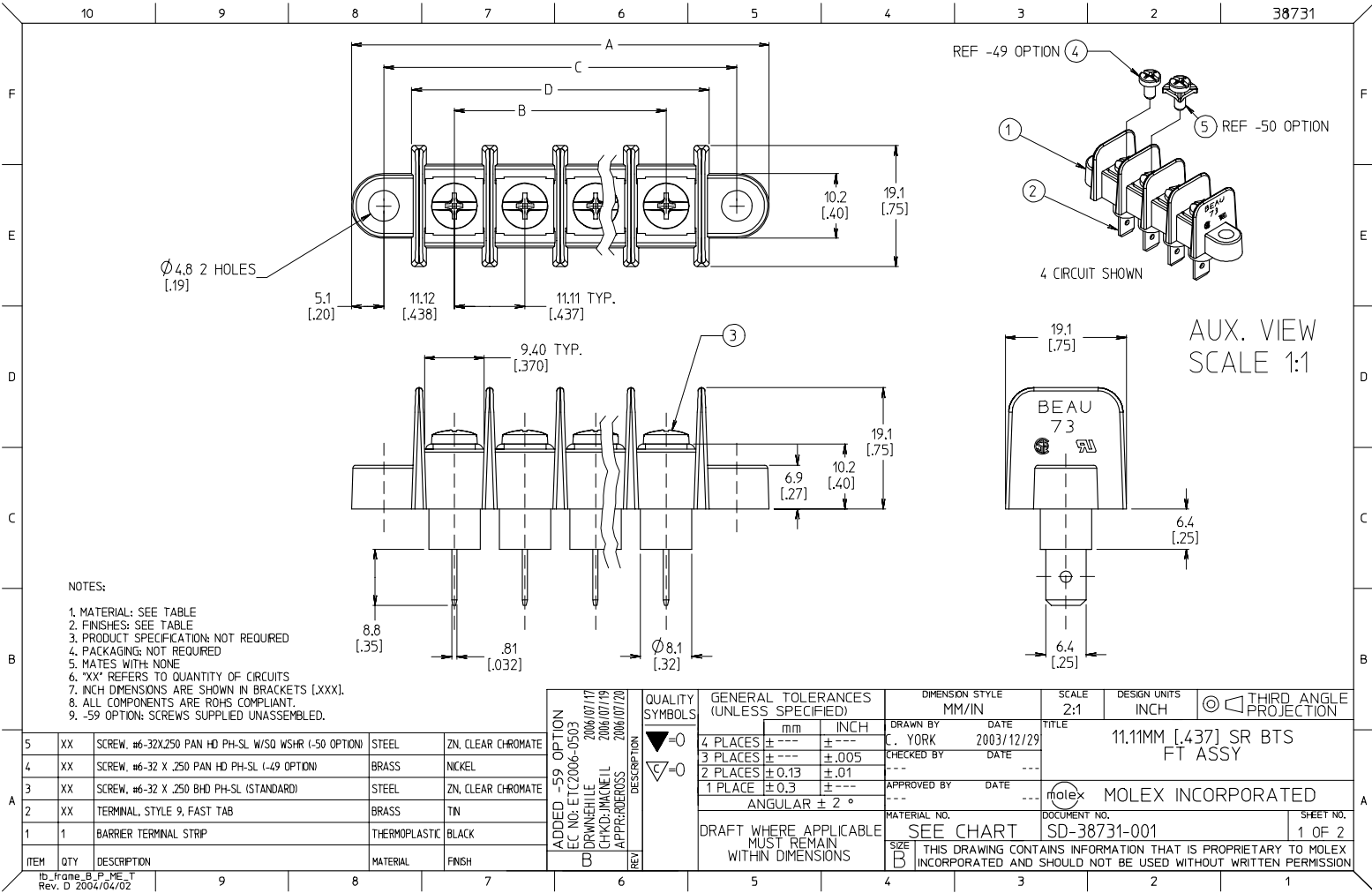
Excellent Integrated System Limited

Stocking Distributor

Click to view price, real time Inventory, Delivery & Lifecycle Information:

[Molex Connector Corporation](#)
[0387316606](#)

For any questions, you can email us directly:
sales@integrated-circuit.com



10 9 8 7 6 5 4 3 2 38731

MATERIAL NO. (STD)	MATERIAL NO. (-49)	MATERIAL NO. (-50)	MATERIAL NO. (-59)	MATERIAL NO. (-49-59)	# OF CIRC. 'XX'	'A'	'B'	'C'	'D'
387316602	387316902	387317202	387390012	-	2	43.5 [1.71]	11.1 [0.44]	33.3 [1.31]	24.5 [0.97]
387316603	387316903	387317203	-	387390094	3	54.6 [2.15]	22.2 [0.88]	44.5 [1.75]	35.7 [1.40]
387316604	387316904	387317204	387390110	-	4	65.7 [2.59]	33.3 [1.31]	55.6 [2.19]	46.8 [1.84]
387316605	387316905	387317205	-	-	5	76.8 [3.03]	44.5 [1.75]	66.7 [2.63]	57.9 [2.28]
387316606	387316906	387317206	-	-	6	87.9 [3.46]	55.6 [2.19]	77.8 [3.06]	69.0 [2.72]
387316607	387316907	387317207	-	-	7	99.1 [3.90]	66.7 [2.63]	88.9 [3.50]	80.1 [3.15]
387316608	387316908	387317208	-	-	8	110.2 [4.34]	77.8 [3.06]	100.0 [3.94]	91.2 [3.59]
387316609	387316909	387317209	-	-	9	121.3 [4.78]	88.9 [3.50]	111.1 [4.38]	102.3 [4.03]
387316610	387316910	387317210	-	-	10	132.4 [5.21]	100.0 [3.94]	122.2 [4.81]	113.4 [4.47]
387316611	387316911	387317211	-	-	11	143.5 [5.65]	111.1 [4.38]	133.4 [5.25]	124.6 [4.90]
387316612	387316912	387317212	-	-	12	154.6 [6.09]	122.2 [4.81]	144.5 [5.69]	135.7 [5.34]
387316613	387316913	387317213	-	-	13	165.7 [6.53]	133.4 [5.25]	155.6 [6.13]	146.8 [5.78]
387316614	387316914	387317214	387390543	-	14	176.8 [6.96]	144.5 [5.69]	166.7 [6.56]	157.9 [6.22]
387316615	387316915	387317215	-	-	15	188.0 [7.40]	155.6 [6.13]	177.8 [7.00]	169.0 [6.65]
387316616	387316916	387317216	-	-	16	199.1 [7.84]	166.7 [6.56]	188.9 [7.44]	180.1 [7.09]
387316617	387316917	387317217	-	-	17	210.2 [8.28]	177.8 [7.00]	200.0 [7.88]	191.2 [7.53]
387316618	387316918	387317218	-	-	18	221.3 [8.71]	188.9 [7.44]	211.1 [8.31]	202.3 [7.97]
387316619	387316919	387317219	-	-	19	232.4 [9.15]	200.0 [7.88]	222.3 [8.75]	213.5 [8.40]
387316620	387316920	387317220	-	-	20	243.5 [9.59]	211.1 [8.31]	233.4 [9.19]	224.6 [8.84]
387316621	387316921	387317221	-	-	21	254.6 [10.03]	222.3 [8.75]	244.5 [9.63]	235.7 [9.28]
387316622	387316922	387317222	-	-	22	265.7 [10.46]	233.4 [9.19]	255.6 [10.06]	246.8 [9.72]
387316623	387316923	387317223	-	-	23	276.9 [10.90]	244.5 [9.63]	266.7 [10.50]	257.9 [10.15]
387316624	387316924	387317224	-	-	24	288.0 [11.34]	255.6 [10.06]	277.8 [10.94]	269.0 [10.59]
387316625	387316925	387317225	-	-	25	299.1 [11.78]	266.7 [10.50]	288.9 [11.38]	280.1 [11.03]
387316626	387316926	387317226	-	-	26	310.2 [12.21]	277.8 [10.94]	300.0 [11.81]	291.2 [11.47]
387316627	387316927	387317227	-	-	27	321.3 [12.65]	288.9 [11.38]	311.2 [12.25]	302.4 [11.90]
387316628	387316928	387317228	-	-	28	332.4 [13.09]	300.0 [11.81]	322.3 [12.69]	313.5 [12.34]
387316629	387316929	387317229	-	-	29	343.5 [13.53]	311.2 [12.25]	333.4 [13.13]	324.6 [12.78]
387316630	387316930	387317230	-	-	30	354.6 [13.96]	322.3 [12.69]	344.5 [13.56]	335.7 [13.22]

ADDED -59 OPTION EC NO: ETC2006-0503 2006/07/17 BIDRINEHILLE 2006/07/19 CHYKD-JIMANEIL APPROVED 2006/07/20 APPRORDEROSS	QUALITY SYMBOLS ANGLAR ± 2°	GENERAL TOLERANCES (UNLESS SPECIFIED)		DIMENSION STYLE MM/IN		SCALE 2:1	DESIGN UNITS INCH	THIRD ANGLE PROJECTION	
		4 PLACES ± --- ± ---	mm INCH	DRAWN BY C. YORK	DATE 2003/12/29	TITLE 11.11MM [.437] SR BTS FT ASSY			
		3 PLACES ± --- ± .005		CHECKED BY ---	DATE ---	MOLEX INCORPORATED			
		2 PLACES ± 0.13 ± .01		APPROVED BY ---	DATE ---	MATERIAL NO. SEE CHART	DOCUMENT NO. SD-38731-001	SHEET NO. 2 OF 2	THIS DRAWING CONTAINS INFORMATION THAT IS PROPRIETARY TO MOLEX INCORPORATED AND SHOULD NOT BE USED WITHOUT WRITTEN PERMISSION
1 PLACE ± 0.3 ± ---		DRAFT WHERE APPLICABLE MUST REMAIN WITHIN DIMENSIONS		SIZE B					

9 8 7 6 5 4 3 2 1