



Distributor of Molex Connector Corporation: Excellent Integrated System Limited
Datasheet of 0387406103 - Connector Barrier Block Strip 3 Circuit 0.438" (11.12mm)

Contact us: sales@integrated-circuit.com Website: www.integrated-circuit.com

Excellent Integrated System Limited

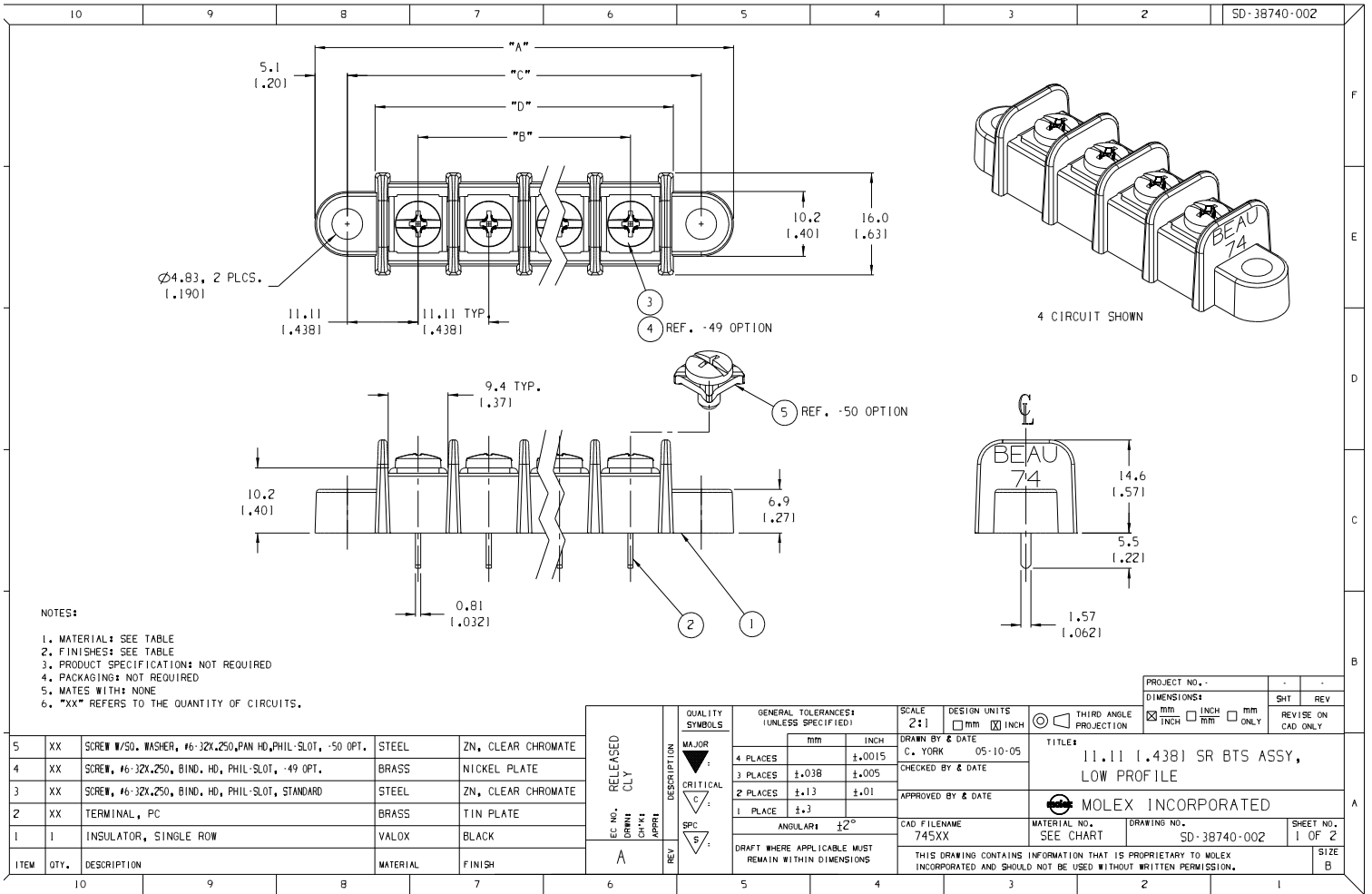
Stocking Distributor

Click to view price, real time Inventory, Delivery & Lifecycle Information:

[Molex Connector Corporation](#)
[0387406103](#)

For any questions, you can email us directly:

sales@integrated-circuit.com



# OF CIRC. "XX"	DIM. "A"	DIM. "B"	DIM. "C"	DIM. "D"	ASSEMBLY MATERIAL NO. (STANDARD)	ASSEMBLY MATERIAL NO. (-49 OPTION)	ASSEMBLY MATERIAL NO. (-50 OPTION)	
02	43.5	11.711	11.11 (1.438)	33.34 (1.313)	24.5 (1.971)	387406102	387406702	387407302
03	54.6	12.151	22.23 (1.875)	44.45 (1.750)	35.7 (1.401)	387406103	387406703	387407303
04	65.7	12.591	33.34 (1.313)	55.56 (2.188)	46.8 (1.841)	387406104	387406704	387407304
05	76.8	13.031	44.45 (1.750)	66.68 (2.625)	57.9 (2.281)	387406105	387406705	387407305
06	87.9	13.461	55.56 (2.188)	77.79 (3.063)	69.0 (2.721)	387406106	387406706	387407306
07	99.1	13.901	66.68 (2.625)	89.00 (3.500)	80.1 (3.151)	387406107	387406707	387407307
08	110.2	14.341	77.79 (3.063)	100.01 (3.938)	91.2 (3.591)	387406108	387406708	387407308
09	121.3	14.781	88.90 (3.500)	111.13 (4.375)	102.3 (4.031)	387406109	387406709	387407309
10	132.4	15.211	100.01 (3.938)	122.24 (4.813)	113.4 (4.471)	387406110	387406710	387407310
11	143.5	15.651	111.13 (4.375)	133.35 (5.250)	124.6 (4.901)	387406111	387406711	387407311
12	154.6	16.091	122.24 (4.813)	144.46 (5.688)	135.7 (5.341)	387406112	387406712	387407312
13	165.7	16.531	133.35 (5.250)	155.58 (6.125)	146.8 (5.781)	387406113	387406713	387407313
14	176.8	16.961	144.46 (5.688)	166.69 (6.563)	157.9 (6.221)	387406114	387406714	387407314
15	188.0	17.401	155.58 (6.125)	177.80 (7.000)	169.0 (6.651)	387406115	387406715	387407315
16	199.1	17.841	166.69 (6.563)	188.91 (7.438)	180.1 (7.091)	387406116	387406716	387407316
17	210.2	18.281	177.80 (7.000)	200.03 (7.875)	191.2 (7.531)	387406117	387406717	387407317
18	221.3	18.711	188.91 (7.438)	211.14 (8.313)	202.3 (7.971)	387406118	387406718	387407318
19	232.4	19.151	200.03 (7.875)	222.25 (8.750)	213.5 (8.401)	387406119	387406719	387407319
20	243.5	19.591	211.14 (8.313)	233.36 (9.188)	224.6 (8.841)	387406120	387406720	387407320
21	254.6	19.031	222.25 (8.750)	244.48 (9.625)	235.7 (9.281)	387406121	387406721	387407321
22	265.7	19.461	233.36 (9.188)	255.59 (10.063)	246.8 (9.721)	387406122	387406722	387407322
23	276.8	19.901	244.48 (9.625)	266.70 (10.500)	257.9 (10.151)	387406123	387406723	387407323
24	288.0	20.341	255.59 (10.063)	277.81 (10.938)	269.0 (10.591)	387406124	387406724	387407324
25	299.1	20.781	266.70 (10.500)	288.93 (11.375)	280.1 (11.031)	387406125	387406725	387407325
26	310.2	21.211	277.81 (10.938)	300.04 (11.813)	291.2 (11.471)	387406126	387406726	387407326
27	321.3	21.651	288.93 (11.375)	311.15 (12.250)	302.4 (11.901)	387406127	387406727	387407327
28	332.4	22.091	300.04 (11.813)	322.26 (12.688)	313.5 (12.341)	387406128	387406728	387407328
29	343.5	22.531	311.15 (12.250)	333.38 (13.125)	324.6 (12.781)	387406129	387406729	387407329
30	354.6	22.961	322.26 (12.688)	344.49 (13.563)	335.7 (13.221)	387406130	387406730	387407330

EC NO. 1 DRAWN BY CHECKED BY APPR. REV.	DESCRIPTION MAJOR CRITICAL SPC S	GENERAL TOLERANCES (UNLESS SPECIFIED) mm INCH 4 PLACES ±0.038 ±0.005 3 PLACES ±0.13 ±0.01 2 PLACES ±0.3 ±0.1 1 PLACE ±0.3 ANGULAR ±2° DRAFT WHERE APPLICABLE MUST REMAIN WITHIN DIMENSIONS	SCALE: mm INCH DESIGN UNITS: <input type="checkbox"/> mm <input checked="" type="checkbox"/> INCH THIRD ANGLE PROJECTION	PROJECT NO. - DIMENSIONS: mm INCH SHIT REV REVISION ON CAD ONLY
		DRAWN BY & DATE C. YORK 05-10-05 CHECKED BY & DATE APPROVED BY & DATE	TITLE: 11.11 (1.438) SR BTS ASSY, LOW PROFILE	
		CAD FILENAME 745XX THIS DRAWING CONTAINS INFORMATION THAT IS PROPRIETARY TO MOLEX INCORPORATED AND SHOULD NOT BE USED WITHOUT WRITTEN PERMISSION.	MATERIAL NO. SEE CHART DRAWING NO. SD-38740-002 SHEET NO. 2 OF 2 SIZE B	
		MOLEX INCORPORATED		