

Excellent Integrated System Limited

Stocking Distributor

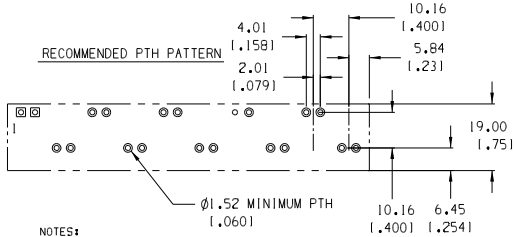
Click to view price, real time Inventory, Delivery & Lifecycle Information:

[Molex Connector Corporation](#)
[0399100313](#)

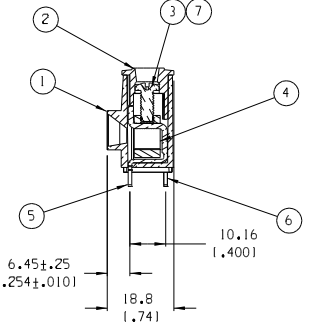
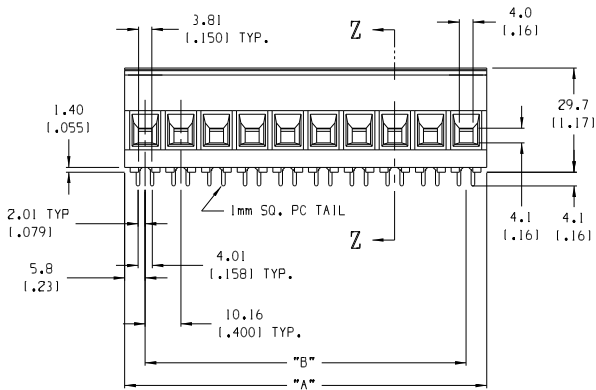
For any questions, you can email us directly:

sales@integrated-circuit.com

SD-39910-002



- NOTES:
1. MATERIAL: SEE TABLE
 2. FINISHES: SEE TABLE
 3. PRODUCT SPECIFICATION: NOT REQUIRED
 4. PACKAGING: NOT REQUIRED
 5. MATES WITH: NONE
 6. PART IS DESIGNED TO MEET UL 1059 CLASS C 600V, 40A
 7. STAGGERED PC TAIL POSITION ON ALTERNATE CIRCUITS
 8. "XX" REFERS TO NUMBER OF CIRCUITS
 9. FOR OPTIONAL IMPRINTING, REFER TO SD-38120-005



ITEM	QTY.	DESCRIPTION	MATERIAL	FINISH
7	XX	SCREW, M4, #2 POZI-SLOT, ST. STEEL	ST. STEEL	TIN
6	A/R	REAR TERMINAL	COPPER	TIN
5	A/R	FRONT TERMINAL	COPPER	TIN
4	XX	CAGE	BRASS	NICKEL
3	XX	SCREW, M4, #2 POZI-SLOT, BRONZE	BRONZE	TIN
2	I	COVER	THERMOPLASTIC	BLACK
1	I	BODY	THERMOPLASTIC	BLACK

ECN# 4261	DESCRIPTION	QUALITY SYMBOLS
DRWING RK 10-7-05	MAJOR	
CHK'S	CRITICAL	
APPROV		
D	REV	

GENERAL TOLERANCES: (UNLESS SPECIFIED)		SCALE 1:1	DESIGN UNITS
4 PLACES	±.0015	<input type="checkbox"/> mm <input checked="" type="checkbox"/> INCH	THIRD ANGLE PROJECTION
3 PLACES	±.038		
2 PLACES	±.13		
1 PLACE	±.3		
ANGULAR: ±2°		CAD FILENAME 9135XX	MATERIAL NO. SEE CHART
DRAFT WHERE APPLICABLE MUST REMAIN WITHIN DIMENSIONS		THIS DRAWING CONTAINS INFORMATION THAT IS PROPRIETARY TO MOLEX INCORPORATED AND SHOULD NOT BE USED WITHOUT WRITTEN PERMISSION.	

PROJECT NO. -	-	-
DIMENSIONS:	<input checked="" type="checkbox"/> mm <input type="checkbox"/> INCH	<input type="checkbox"/> mm ONLY
TITLE: SR BTS 8 AWG ASSY, 600V 40 A		
MOLEX INCORPORATED		
MATERIAL NO. SEE CHART	DRAWING NO. SD-39910-002	SHEET NO. 1 OF 2
		SIZE B

		10	9	8	7	6	5	4	3	2	SD-39910-002																																																																																																																																																																			
F	E																																																																																																																																																																													
		<table border="1"> <thead> <tr> <th>MATERIAL</th> <th>MATERIAL NUMBER</th> <th>MATERIAL NUMBER</th> <th>MATERIAL NUMBER</th> <th>MATERIAL NUMBER</th> <th>MATERIAL NUMBER</th> <th>MATERIAL NUMBER</th> <th>MATERIAL NUMBER</th> <th>MATERIAL NUMBER</th> <th>MATERIAL NUMBER</th> <th>MATERIAL NUMBER</th> </tr> <tr> <th>STD</th> <th>OPTIONAL 10A IMPRINT</th> <th>OPTIONAL 11A IMPRINT</th> <th>OPTIONAL (-56) SS SCREW</th> <th>OPTIONAL SLOTTED SCREW</th> <th>OPTIONAL SLOTTED SCREW W/10A IMPRINT</th> <th>OPTIONAL SLOTTED SCREW W/11A IMPRINT</th> <th>NUMBER OF CIRCUITS</th> <th>"A" DIM.</th> <th>"B" DIM.</th> <th></th> </tr> </thead> <tbody> <tr><td>399100302</td><td>399110302</td><td>399140302</td><td>399100602</td><td>399100502</td><td>399110502</td><td>399140502</td><td>2</td><td>21.84 [1.86]</td><td>110.16 [1.400]</td><td></td></tr> <tr><td>399100303</td><td>399110303</td><td>399140303</td><td>399100603</td><td>399100503</td><td>399110503</td><td>399140503</td><td>3</td><td>32.00 [1.26]</td><td>120.32 [1.800]</td><td></td></tr> <tr><td>399100304</td><td>399110304</td><td>399140304</td><td>399100604</td><td>399100504</td><td>399110504</td><td>399140504</td><td>4</td><td>42.16 [1.66]</td><td>130.48 [1.200]</td><td></td></tr> <tr><td>399100305</td><td>399110305</td><td>399140305</td><td>399100605</td><td>399100505</td><td>399110505</td><td>399140505</td><td>5</td><td>52.32 [2.06]</td><td>140.64 [1.600]</td><td></td></tr> <tr><td>399100306</td><td>399110306</td><td>399140306</td><td>399100606</td><td>399100506</td><td>399110506</td><td>399140506</td><td>6</td><td>62.48 [2.46]</td><td>150.80 [2.000]</td><td></td></tr> <tr><td>399100307</td><td>399110307</td><td>399140307</td><td>399100607</td><td>399100507</td><td>399110507</td><td>399140507</td><td>7</td><td>72.64 [2.86]</td><td>160.96 [2.400]</td><td></td></tr> <tr><td>399100308</td><td>399110308</td><td>399140308</td><td>399100608</td><td>399100508</td><td>399110508</td><td>399140508</td><td>8</td><td>82.80 [3.26]</td><td>171.12 [2.800]</td><td></td></tr> <tr><td>399100309</td><td>399110309</td><td>399140309</td><td>399100609</td><td>399100509</td><td>399110509</td><td>399140509</td><td>9</td><td>92.96 [3.66]</td><td>181.28 [3.200]</td><td></td></tr> <tr><td>399100310</td><td>399110310</td><td>399140310</td><td>399100610</td><td>399100510</td><td>399110510</td><td>399140510</td><td>10</td><td>103.12 [4.06]</td><td>191.44 [3.600]</td><td></td></tr> <tr><td>399100311</td><td>399110311</td><td>399140311</td><td>399100611</td><td>399100511</td><td>399110511</td><td>399140511</td><td>11</td><td>113.28 [4.46]</td><td>201.60 [4.000]</td><td></td></tr> <tr><td>399100312</td><td>399110312</td><td>399140312</td><td>399100612</td><td>399100512</td><td>399110512</td><td>399140512</td><td>12</td><td>123.44 [4.86]</td><td>211.76 [4.400]</td><td></td></tr> <tr><td>399100313</td><td>399110313</td><td>399140313</td><td>399100613</td><td>399100513</td><td>399110513</td><td>399140513</td><td>13</td><td>133.60 [5.26]</td><td>221.92 [4.800]</td><td></td></tr> <tr><td>399100314</td><td>399110314</td><td>399140314</td><td>399100614</td><td>399100514</td><td>399110514</td><td>399140514</td><td>14</td><td>143.76 [5.66]</td><td>232.08 [5.200]</td><td></td></tr> </tbody> </table>										MATERIAL	MATERIAL NUMBER	MATERIAL NUMBER	MATERIAL NUMBER	MATERIAL NUMBER	MATERIAL NUMBER	MATERIAL NUMBER	MATERIAL NUMBER	MATERIAL NUMBER	MATERIAL NUMBER	MATERIAL NUMBER	STD	OPTIONAL 10A IMPRINT	OPTIONAL 11A IMPRINT	OPTIONAL (-56) SS SCREW	OPTIONAL SLOTTED SCREW	OPTIONAL SLOTTED SCREW W/10A IMPRINT	OPTIONAL SLOTTED SCREW W/11A IMPRINT	NUMBER OF CIRCUITS	"A" DIM.	"B" DIM.		399100302	399110302	399140302	399100602	399100502	399110502	399140502	2	21.84 [1.86]	110.16 [1.400]		399100303	399110303	399140303	399100603	399100503	399110503	399140503	3	32.00 [1.26]	120.32 [1.800]		399100304	399110304	399140304	399100604	399100504	399110504	399140504	4	42.16 [1.66]	130.48 [1.200]		399100305	399110305	399140305	399100605	399100505	399110505	399140505	5	52.32 [2.06]	140.64 [1.600]		399100306	399110306	399140306	399100606	399100506	399110506	399140506	6	62.48 [2.46]	150.80 [2.000]		399100307	399110307	399140307	399100607	399100507	399110507	399140507	7	72.64 [2.86]	160.96 [2.400]		399100308	399110308	399140308	399100608	399100508	399110508	399140508	8	82.80 [3.26]	171.12 [2.800]		399100309	399110309	399140309	399100609	399100509	399110509	399140509	9	92.96 [3.66]	181.28 [3.200]		399100310	399110310	399140310	399100610	399100510	399110510	399140510	10	103.12 [4.06]	191.44 [3.600]		399100311	399110311	399140311	399100611	399100511	399110511	399140511	11	113.28 [4.46]	201.60 [4.000]		399100312	399110312	399140312	399100612	399100512	399110512	399140512	12	123.44 [4.86]	211.76 [4.400]		399100313	399110313	399140313	399100613	399100513	399110513	399140513	13	133.60 [5.26]	221.92 [4.800]		399100314	399110314	399140314	399100614	399100514	399110514	399140514	14	143.76 [5.66]
MATERIAL	MATERIAL NUMBER	MATERIAL NUMBER	MATERIAL NUMBER	MATERIAL NUMBER	MATERIAL NUMBER	MATERIAL NUMBER	MATERIAL NUMBER	MATERIAL NUMBER	MATERIAL NUMBER	MATERIAL NUMBER																																																																																																																																																																				
STD	OPTIONAL 10A IMPRINT	OPTIONAL 11A IMPRINT	OPTIONAL (-56) SS SCREW	OPTIONAL SLOTTED SCREW	OPTIONAL SLOTTED SCREW W/10A IMPRINT	OPTIONAL SLOTTED SCREW W/11A IMPRINT	NUMBER OF CIRCUITS	"A" DIM.	"B" DIM.																																																																																																																																																																					
399100302	399110302	399140302	399100602	399100502	399110502	399140502	2	21.84 [1.86]	110.16 [1.400]																																																																																																																																																																					
399100303	399110303	399140303	399100603	399100503	399110503	399140503	3	32.00 [1.26]	120.32 [1.800]																																																																																																																																																																					
399100304	399110304	399140304	399100604	399100504	399110504	399140504	4	42.16 [1.66]	130.48 [1.200]																																																																																																																																																																					
399100305	399110305	399140305	399100605	399100505	399110505	399140505	5	52.32 [2.06]	140.64 [1.600]																																																																																																																																																																					
399100306	399110306	399140306	399100606	399100506	399110506	399140506	6	62.48 [2.46]	150.80 [2.000]																																																																																																																																																																					
399100307	399110307	399140307	399100607	399100507	399110507	399140507	7	72.64 [2.86]	160.96 [2.400]																																																																																																																																																																					
399100308	399110308	399140308	399100608	399100508	399110508	399140508	8	82.80 [3.26]	171.12 [2.800]																																																																																																																																																																					
399100309	399110309	399140309	399100609	399100509	399110509	399140509	9	92.96 [3.66]	181.28 [3.200]																																																																																																																																																																					
399100310	399110310	399140310	399100610	399100510	399110510	399140510	10	103.12 [4.06]	191.44 [3.600]																																																																																																																																																																					
399100311	399110311	399140311	399100611	399100511	399110511	399140511	11	113.28 [4.46]	201.60 [4.000]																																																																																																																																																																					
399100312	399110312	399140312	399100612	399100512	399110512	399140512	12	123.44 [4.86]	211.76 [4.400]																																																																																																																																																																					
399100313	399110313	399140313	399100613	399100513	399110513	399140513	13	133.60 [5.26]	221.92 [4.800]																																																																																																																																																																					
399100314	399110314	399140314	399100614	399100514	399110514	399140514	14	143.76 [5.66]	232.08 [5.200]																																																																																																																																																																					
D	C	<table border="1"> <thead> <tr> <th colspan="2">PROJECT NO.</th> <th colspan="2">DIMENSIONS</th> <th>SHT</th> <th>REV</th> </tr> <tr> <th colspan="2"></th> <th>mm</th> <th>INCH</th> <th></th> <th></th> </tr> </thead> <tbody> <tr> <td colspan="2"></td> <td><input checked="" type="checkbox"/></td> <td><input type="checkbox"/></td> <td></td> <td></td> </tr> <tr> <td colspan="2"></td> <td><input type="checkbox"/></td> <td><input type="checkbox"/></td> <td></td> <td></td> </tr> <tr> <td colspan="2"></td> <td colspan="4">REVISE ON CAD ONLY</td> </tr> </tbody> </table>										PROJECT NO.		DIMENSIONS		SHT	REV			mm	INCH					<input checked="" type="checkbox"/>	<input type="checkbox"/>					<input type="checkbox"/>	<input type="checkbox"/>					REVISE ON CAD ONLY																																																																																																																																								
		PROJECT NO.		DIMENSIONS		SHT	REV																																																																																																																																																																							
		mm	INCH																																																																																																																																																																											
		<input checked="" type="checkbox"/>	<input type="checkbox"/>																																																																																																																																																																											
		<input type="checkbox"/>	<input type="checkbox"/>																																																																																																																																																																											
		REVISE ON CAD ONLY																																																																																																																																																																												
B	A	<table border="1"> <thead> <tr> <th rowspan="2">EC NO. SEE SHEET</th> <th rowspan="2">DRAWING ONE</th> <th rowspan="2">CHK'D</th> <th rowspan="2">APPR'D</th> <th rowspan="2">REV</th> <th rowspan="2">DESCRIPTION</th> <th rowspan="2">QUALITY SYMBOLS</th> <th colspan="2">GENERAL TOLERANCES* (UNLESS SPECIFIED)</th> <th rowspan="2">SCALE</th> <th rowspan="2">DESIGN UNITS</th> <th rowspan="2">THIRD ANGLE PROJECTION</th> <th rowspan="2">TITLE</th> <th rowspan="2">MATERIAL NO.</th> <th rowspan="2">DRAWING NO.</th> <th rowspan="2">SHEET NO.</th> </tr> <tr> <th>mm</th> <th>INCH</th> <th>N/A</th> <th>mm</th> <th>INCH</th> <th>SR BTS 8 AWG ASSY, 600V 40 A</th> <th>SD-39910-002</th> <th>2 OF 2</th> </tr> </thead> <tbody> <tr> <td></td> <td></td> <td></td> <td></td> <td></td> <td></td> <td>MAJOR</td> <td>4 PLACES</td> <td>±.0015</td> <td>INCH</td> <td><input checked="" type="checkbox"/></td> <td><input type="checkbox"/></td> <td>DRAWN BY & DATE J. FARMER 08-10-04</td> <td></td> <td></td> <td></td> </tr> <tr> <td></td> <td></td> <td></td> <td></td> <td></td> <td></td> <td>CRITICAL</td> <td>3 PLACES</td> <td>±.038</td> <td>mm</td> <td><input type="checkbox"/></td> <td><input checked="" type="checkbox"/></td> <td>CHECKED BY & DATE R. STONE 08-10-04</td> <td></td> <td></td> <td></td> </tr> <tr> <td></td> <td></td> <td></td> <td></td> <td></td> <td></td> <td>SPECIAL</td> <td>2 PLACES</td> <td>±.13</td> <td>mm</td> <td><input type="checkbox"/></td> <td><input checked="" type="checkbox"/></td> <td>APPROVED BY & DATE GHR 08-10-04</td> <td></td> <td></td> <td></td> </tr> <tr> <td></td> <td></td> <td></td> <td></td> <td></td> <td></td> <td></td> <td>1 PLACE</td> <td>±.3</td> <td>mm</td> <td><input type="checkbox"/></td> <td><input checked="" type="checkbox"/></td> <td>CAD FILENAME 9135XX.PRT</td> <td>SEE CHART</td> <td></td> <td></td> </tr> <tr> <td colspan="7"></td> <td colspan="2">ANGULAR: ±2°</td> <td colspan="2"></td> <td colspan="2">MATERIAL NO. SEE CHART</td> <td>DRAWING NO. SD-39910-002</td> <td>SHEET NO. 2 OF 2</td> <td>SIZE B</td> </tr> <tr> <td colspan="16">DRAFT WHERE APPLICABLE MUST REMAIN WITHIN DIMENSIONS</td> </tr> <tr> <td colspan="16">THIS DRAWING CONTAINS INFORMATION THAT IS PROPRIETARY TO MOLEX INCORPORATED AND SHOULD NOT BE USED WITHOUT WRITTEN PERMISSION.</td> </tr> </tbody> </table>										EC NO. SEE SHEET	DRAWING ONE	CHK'D	APPR'D	REV	DESCRIPTION	QUALITY SYMBOLS	GENERAL TOLERANCES* (UNLESS SPECIFIED)		SCALE	DESIGN UNITS	THIRD ANGLE PROJECTION	TITLE	MATERIAL NO.	DRAWING NO.	SHEET NO.	mm	INCH	N/A	mm	INCH	SR BTS 8 AWG ASSY, 600V 40 A	SD-39910-002	2 OF 2							MAJOR	4 PLACES	±.0015	INCH	<input checked="" type="checkbox"/>	<input type="checkbox"/>	DRAWN BY & DATE J. FARMER 08-10-04										CRITICAL	3 PLACES	±.038	mm	<input type="checkbox"/>	<input checked="" type="checkbox"/>	CHECKED BY & DATE R. STONE 08-10-04										SPECIAL	2 PLACES	±.13	mm	<input type="checkbox"/>	<input checked="" type="checkbox"/>	APPROVED BY & DATE GHR 08-10-04											1 PLACE	±.3	mm	<input type="checkbox"/>	<input checked="" type="checkbox"/>	CAD FILENAME 9135XX.PRT	SEE CHART										ANGULAR: ±2°				MATERIAL NO. SEE CHART		DRAWING NO. SD-39910-002	SHEET NO. 2 OF 2	SIZE B	DRAFT WHERE APPLICABLE MUST REMAIN WITHIN DIMENSIONS																THIS DRAWING CONTAINS INFORMATION THAT IS PROPRIETARY TO MOLEX INCORPORATED AND SHOULD NOT BE USED WITHOUT WRITTEN PERMISSION.																																										
		EC NO. SEE SHEET	DRAWING ONE	CHK'D	APPR'D	REV	DESCRIPTION	QUALITY SYMBOLS	GENERAL TOLERANCES* (UNLESS SPECIFIED)		SCALE								DESIGN UNITS	THIRD ANGLE PROJECTION								TITLE	MATERIAL NO.	DRAWING NO.	SHEET NO.																																																																																																																																															
mm	INCH								N/A	mm		INCH	SR BTS 8 AWG ASSY, 600V 40 A	SD-39910-002	2 OF 2																																																																																																																																																															
						MAJOR	4 PLACES	±.0015	INCH	<input checked="" type="checkbox"/>	<input type="checkbox"/>	DRAWN BY & DATE J. FARMER 08-10-04																																																																																																																																																																		
						CRITICAL	3 PLACES	±.038	mm	<input type="checkbox"/>	<input checked="" type="checkbox"/>	CHECKED BY & DATE R. STONE 08-10-04																																																																																																																																																																		
						SPECIAL	2 PLACES	±.13	mm	<input type="checkbox"/>	<input checked="" type="checkbox"/>	APPROVED BY & DATE GHR 08-10-04																																																																																																																																																																		
							1 PLACE	±.3	mm	<input type="checkbox"/>	<input checked="" type="checkbox"/>	CAD FILENAME 9135XX.PRT	SEE CHART																																																																																																																																																																	
							ANGULAR: ±2°				MATERIAL NO. SEE CHART		DRAWING NO. SD-39910-002	SHEET NO. 2 OF 2	SIZE B																																																																																																																																																															
DRAFT WHERE APPLICABLE MUST REMAIN WITHIN DIMENSIONS																																																																																																																																																																														
THIS DRAWING CONTAINS INFORMATION THAT IS PROPRIETARY TO MOLEX INCORPORATED AND SHOULD NOT BE USED WITHOUT WRITTEN PERMISSION.																																																																																																																																																																														
		10	9	8	7	6	5	4	3	2	1																																																																																																																																																																			