

Excellent Integrated System Limited

Stocking Distributor

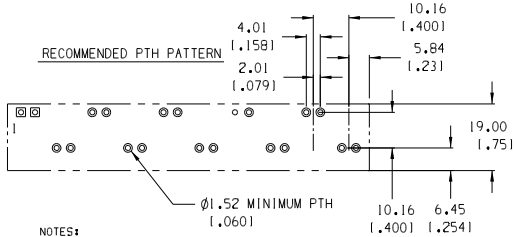
Click to view price, real time Inventory, Delivery & Lifecycle Information:

[Molex Connector Corporation](#)
[0399100604](#)

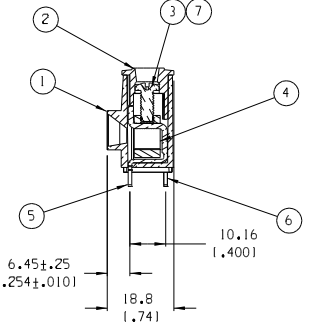
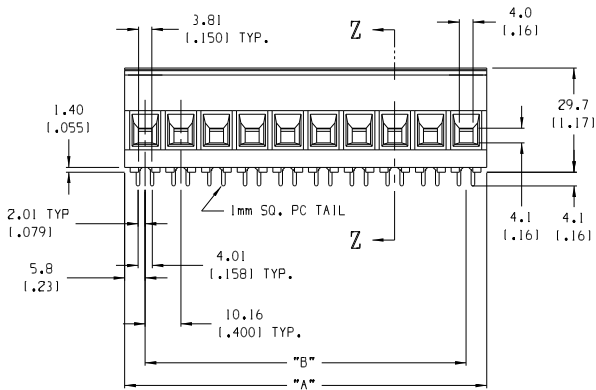
For any questions, you can email us directly:

sales@integrated-circuit.com

SD-39910-002



- NOTES:
1. MATERIAL: SEE TABLE
 2. FINISHES: SEE TABLE
 3. PRODUCT SPECIFICATION: NOT REQUIRED
 4. PACKAGING: NOT REQUIRED
 5. MATES WITH: NONE
 6. PART IS DESIGNED TO MEET UL 1059 CLASS C 600V, 40A
 7. STAGGERED PC TAIL POSITION ON ALTERNATE CIRCUITS
 8. "XX" REFERS TO NUMBER OF CIRCUITS
 9. FOR OPTIONAL IMPRINTING, REFER TO SD-38120-005



ITEM	QTY.	DESCRIPTION	MATERIAL	FINISH
7	XX	SCREW, M4, #2 POZI-SLOT, ST. STEEL	ST. STEEL	TIN
6	A/R	REAR TERMINAL	COPPER	TIN
5	A/R	FRONT TERMINAL	COPPER	TIN
4	XX	CAGE	BRASS	NICKEL
3	XX	SCREW, M4, #2 POZI-SLOT, BRONZE	BRONZE	TIN
2	I	COVER	THERMOPLASTIC	BLACK
1	I	BODY	THERMOPLASTIC	BLACK

ECN# 4261	DESCRIPTION	QUALITY SYMBOLS
DRWING RK 10-7-05	MAJOR	
CHK'S	CRITICAL	
APPROV		
D	REV	

GENERAL TOLERANCES: (UNLESS SPECIFIED)		SCALE 1:1	DESIGN UNITS	THIRD ANGLE PROJECTION	PROJECT NO.	SHT	REV
4 PLACES	±.0015	mm	<input type="checkbox"/> mm <input checked="" type="checkbox"/> INCH	<input checked="" type="checkbox"/> mm <input type="checkbox"/> INCH <input type="checkbox"/> mm ONLY			
3 PLACES	±.038	INCH			TITLE: SR BTS B AWG ASSY, 600V 40 A		
2 PLACES	±.13				MOLEX INCORPORATED		
1 PLACE	±.3				MATERIAL NO. SEE CHART		
ANGULAR: ±2°		CAD FILENAME 9135XX	DRAWING NO. SD-39910-002		SHEET NO. 1 OF 2		
DRAFT WHERE APPLICABLE MUST REMAIN WITHIN DIMENSIONS				THIS DRAWING CONTAINS INFORMATION THAT IS PROPRIETARY TO MOLEX INCORPORATED AND SHOULD NOT BE USED WITHOUT WRITTEN PERMISSION.			

										SD-39910-002	
										PROJECT NO. -	
										DIMENSIONS:	
										mm	
										INCH	
										mm ONLY	
										SHT	
										REV	
										REVISE ON CAD ONLY	
										TITLE:	
										SR BTS 8 AWG ASSY, 600V 40 A	
										MOLEX INCORPORATED	
										CAD FILENAME	
										9135XX.PRT	
										MATERIAL NO.	
										SEE CHART	
										DRAWING NO.	
										SD-39910-002	
										SHEET NO.	
										2 OF 2	
										SIZE	
										B	
										THIS DRAWING CONTAINS INFORMATION THAT IS PROPRIETARY TO MOLEX INCORPORATED AND SHOULD NOT BE USED WITHOUT WRITTEN PERMISSION.	

EC NO. SEE SHEET		QUALITY SYMBOLS		GENERAL TOLERANCES* (UNLESS SPECIFIED)		SCALE		DESIGN UNITS		THIRD ANGLE PROJECTION	
DRAW ONE		MAJOR		mm		N/A		mm <input type="checkbox"/> INCH <input checked="" type="checkbox"/>		<input checked="" type="checkbox"/> mm <input type="checkbox"/> INCH <input type="checkbox"/> ONLY	
CHK		CRITICAL		±.038		±.0015		DRAWN BY & DATE		TITLE	
APPR		S		±.01		±.005		J.FARMER 08-10-04		SR BTS 8 AWG ASSY, 600V 40 A	
REV		S		±.3		±.00510		CHECKED BY & DATE		MOLEX INCORPORATED	
		S		ANGULAR: ±.2°		±.00511		R. STONE 08-10-04		CAD FILENAME	
		S		DRAFT WHERE APPLICABLE MUST REMAIN WITHIN DIMENSIONS		±.00512		APPROVED BY & DATE		MATERIAL NO.	
		S				±.00513		GHR 08-10-04		DRAWING NO.	
		S				±.00514				SD-39910-002	
		S								SHEET NO.	
		S								2 OF 2	
		S								SIZE	
		S								B	

MATERIAL	MATERIAL NUMBER	MATERIAL NUMBER	MATERIAL NUMBER	MATERIAL NUMBER	MATERIAL NUMBER	MATERIAL NUMBER	MATERIAL NUMBER	MATERIAL NUMBER	MATERIAL NUMBER	OPTIONAL SLOTTED SCREW W/10A IMPRINT	OPTIONAL SLOTTED SCREW W/1A IMPRINT	NUMBER OF CIRCUITS	"A" DIM.	"B" DIM.
STD	OPTIONAL 10A IMPRINT	OPTIONAL 11A IMPRINT	OPTIONAL (-56) SS SCREW	OPTIONAL SLOTTED SCREW	OPTIONAL SLOTTED SCREW	OPTIONAL SLOTTED SCREW	OPTIONAL SLOTTED SCREW	OPTIONAL SLOTTED SCREW	OPTIONAL SLOTTED SCREW	OPTIONAL SLOTTED SCREW	OPTIONAL SLOTTED SCREW	NUMBER OF CIRCUITS	"A" DIM.	"B" DIM.
399100302	399110302	399140302	399100602	399100502	399110502	399140502	399100502	399110502	399140502	399100502	399140502	2	21.84 [1.86]	110.16 [1.400]
399100303	399110303	399140303	399100603	399100503	399110503	399140503	399100503	399110503	399140503	399100503	399140503	3	32.00 [1.26]	120.32 [1.800]
399100304	399110304	399140304	399100604	399100504	399110504	399140504	399100504	399110504	399140504	399100504	399140504	4	42.16 [1.66]	130.48 [1.200]
399100305	399110305	399140305	399100605	399100505	399110505	399140505	399100505	399110505	399140505	399100505	399140505	5	52.32 [2.06]	140.64 [1.600]
399100306	399110306	399140306	399100606	399100506	399110506	399140506	399100506	399110506	399140506	399100506	399140506	6	62.48 [2.46]	150.80 [2.000]
399100307	399110307	399140307	399100607	399100507	399110507	399140507	399100507	399110507	399140507	399100507	399140507	7	72.64 [2.86]	160.96 [2.400]
399100308	399110308	399140308	399100608	399100508	399110508	399140508	399100508	399110508	399140508	399100508	399140508	8	82.80 [3.26]	171.12 [2.800]
399100309	399110309	399140309	399100609	399100509	399110509	399140509	399100509	399110509	399140509	399100509	399140509	9	92.96 [3.66]	181.28 [3.200]
399100310	399110310	399140310	399100610	399100510	399110510	399140510	399100510	399110510	399140510	399100510	399140510	10	103.12 [4.06]	191.44 [3.600]
399100311	399110311	399140311	399100611	399100511	399110511	399140511	399100511	399110511	399140511	399100511	399140511	11	113.28 [4.46]	201.60 [4.000]
399100312	399110312	399140312	399100612	399100512	399110512	399140512	399100512	399110512	399140512	399100512	399140512	12	123.44 [4.86]	211.76 [4.400]
399100313	399110313	399140313	399100613	399100513	399110513	399140513	399100513	399110513	399140513	399100513	399140513	13	133.60 [5.26]	221.92 [4.800]
399100314	399110314	399140314	399100614	399100514	399110514	399140514	399100514	399110514	399140514	399100514	399140514	14	143.76 [5.66]	232.08 [5.200]