

Excellent Integrated System Limited

Stocking Distributor

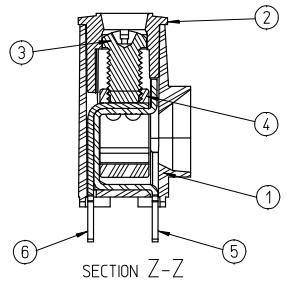
Click to view price, real time Inventory, Delivery & Lifecycle Information:

[Molex Connector Corporation](#)
[0399200703](#)

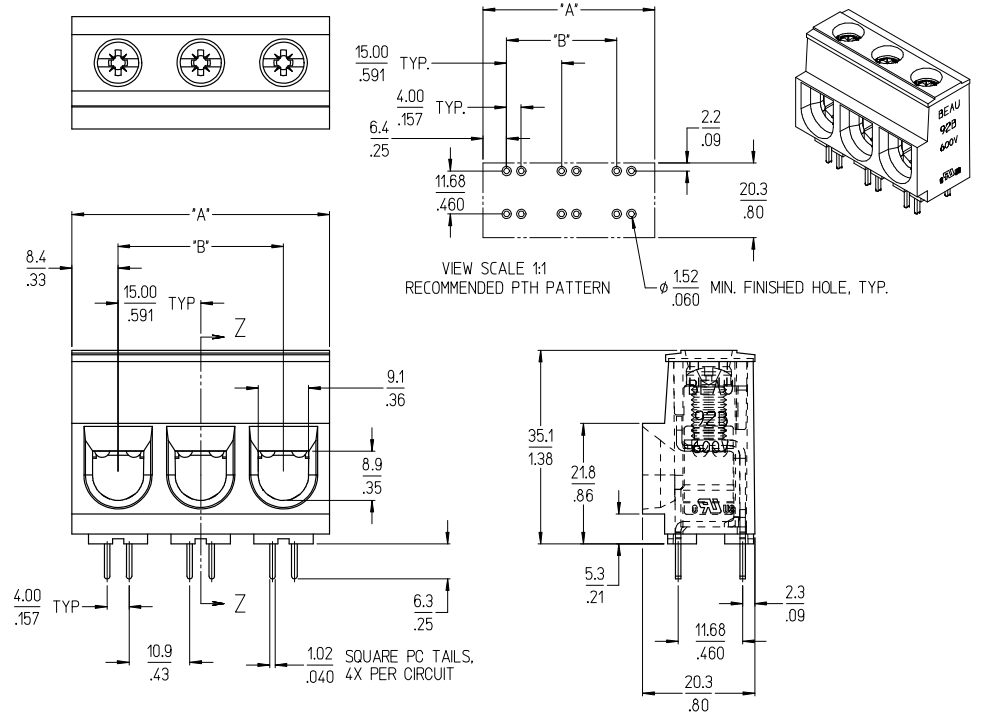
For any questions, you can email us directly:

sales@integrated-circuit.com

NO. OF CIRCUITS	DIM. "A"		DIM. "B"		ASSEMBLY MATERIAL NO.
	mm	in	mm	in	
02	31.8	1.25	15.00	.591	399200702
03	46.8	1.84	30.00	1.181	399200703
04	61.8	2.43	45.00	1.772	399200704
05	76.8	3.02	60.00	2.362	399200705
06	91.8	3.61	75.00	2.953	399200706
07	106.8	4.20	90.00	3.543	399200707
08	121.8	4.79	105.00	4.134	399200708
09	136.8	5.38	120.00	4.724	399200709
10	151.8	5.97	135.00	5.315	399200710
11	166.8	6.57	150.00	5.906	399200711
12	181.8	7.16	165.00	6.496	399200712



NOTES:
 1. MATERIAL: SEE TABLE
 2. FINISHES: SEE TABLE
 3. "XX" REFERS TO THE QUANTITY OF CIRCUITS.
 4. ASSEMBLY IS ROHS COMPLIANT BY EXEMPTION.
 COMPONENTS MARKED WITH AN ASTERISK (*) ARE ROHS COMPLIANT BY EXEMPTION, ALL OTHERS ARE ROHS COMPLIANT.



ITEM	QTY.	DESCRIPTION	MATERIAL	FINISH
6	"XX"	OUTER TERMINAL	COPPER	TIN PLATE
5	"XX"	INNER TERMINAL	COPPER	TIN PLATE
4	"XX"	CAGE (*)	BRASS	NICKEL PLATE
3	"XX"	SCREW, 1/4-28, POZI-SLOT, TIN/SS	ST. STEEL	TIN PLATE
2	1	COVER	PBT	BLACK
1	1	BODY	PBT	BLACK

INITIAL RELEASE EC NO: ETC2008-0077 DR: NYLOR 2007/09/17 CHK: JACNEIL 2007/09/18 APPR: JACNEIL 2007/09/18 A	QUALITY SYMBOLS ▽=0 ▽=0	GENERAL TOLERANCES (UNLESS SPECIFIED)		DIMENSION STYLE MM/IN	SCALE 3:2	DESIGN UNITS INCH	THIRD ANGLE PROJECTION	
		4 PLACES ±.005 ±.005 3 PLACES ±.005 ±.005 2 PLACES ±.013 ±.01 1 PLACE ±.03 ±.03	DRAWN BY C. YORK	DATE 2007/09/12	TITLE 15.00/.591 SR BTS, PC, #1-#8 AWG ASST, 600V, 115A, SS SCREW			
		ANGULAR ± 2 °	CHECKED BY J. MACNEIL	DATE 2007/09/12	MOLEX INCORPORATED			
		DRAFT WHERE APPLICABLE MUST REMAIN WITHIN DIMENSIONS	APPROVED BY J. MACNEIL	DATE 2007/09/12	MATERIAL NO. SEE CHART	DOCUMENT NO. SD-39920-002	SHEET NO. 1 OF 1	THIS DRAWING CONTAINS INFORMATION THAT IS PROPRIETARY TO MOLEX INCORPORATED AND SHOULD NOT BE USED WITHOUT WRITTEN PERMISSION

ib_frame_B_P_ME_T
 Rev. E 2006/04/15