

Excellent Integrated System Limited

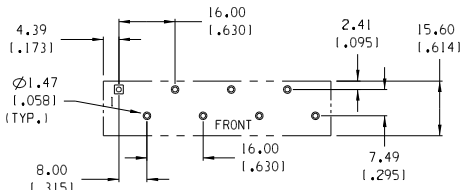
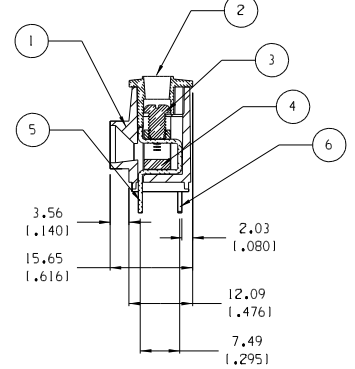
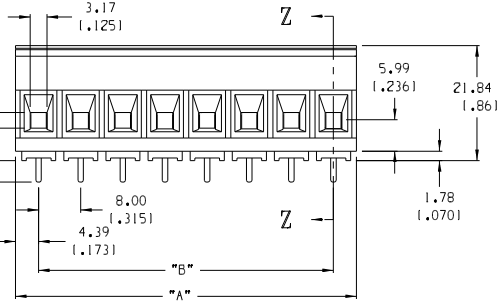
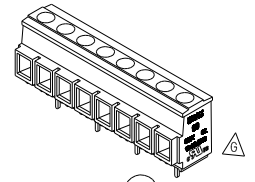
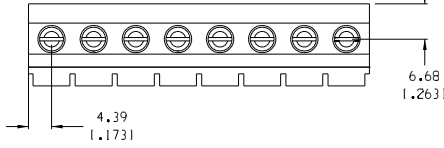
Stocking Distributor

Click to view price, real time Inventory, Delivery & Lifecycle Information:

[Molex Connector Corporation](#)
[0399600106](#)

For any questions, you can email us directly:
sales@integrated-circuit.com

MATERIAL NO.	NUMBER OF CIRCUITS "XX"	DIM. "A"		DIM. "B"	
39960-0103	03	24.9	1.981	16.00	1.6301
39960-0104	04	32.9	1.301	24.00	1.9451
39960-0105	05	40.9	1.611	32.00	1.2601
39960-0106	06	48.9	1.931	40.00	1.5751
39960-0107	07	56.9	1.241	48.00	1.8901
39960-0108	08	64.9	1.256	56.00	1.2051
39960-0109	09	72.9	1.2871	64.00	1.5201
39960-0110	10	80.9	1.3191	72.00	1.28351
39960-0111	11	88.9	1.3501	80.00	1.31501
39960-0112	12	96.9	1.3821	88.00	1.34651



PTH PATTERN

NOTES:

1. MATERIAL: SEE TABLE
2. FINISHES: SEE TABLE
3. PRODUCT SPECIFICATION: NOT REQUIRED
4. PACKAGING: NOT REQUIRED
5. MATES WITH: NONE
6. ALL CREEP DISTANCES FOR UL 1059, CLASS C, 600V GENERAL INDUSTRIAL.
7. FOR USE WITH #22-#10 AWG SOLID AND STRANDED WIRES.
8. TORQUE RATING IS 7 IN-LB.
9. "XX" REFERS TO THE NUMBER OF CIRCUITS.

ITEM	QTY.	DESCRIPTION	MATERIAL	FINISH
6	XX/2	REAR TERMINAL	BRASS	TIN
5	XX/2	FRONT TERMINAL	BRASS	TIN
4	XX	CAGE	BRASS	NICKEL
3	XX	SCREW, M3.5 X 0.6	BRONZE	TIN
2	1	COVER	THERMOPLASTIC	BLACK
1	1	BODY	THERMOPLASTIC	BLACK

ECN: ECN 3920 DRAWN: DPA4 DATE: 12-20-04	QUALITY SYMBOLS	GENERAL TOLERANCES* (UNLESS SPECIFIED)	SCALE 3:2	DESIGN UNITS <input type="checkbox"/> mm <input checked="" type="checkbox"/> INCH	THIRD ANGLE PROJECTION	DIMENSIONS: <input checked="" type="checkbox"/> mm <input type="checkbox"/> INCH <input type="checkbox"/> mm ONLY	SHT	REV
	MAJOR	4 PLACES ±.038 ±.005	DRAWN BY & DATE OHR 3-19-02	TITLE: SR BTS, PCKT, #10 AWG, ASSY 600V, 30A				
CRITICAL	3 PLACES ±.13 ±.01	CHECKED BY & DATE A. PLAZA 6-18-02	APPROVED BY & DATE L. ROTHBAUS 6-18-02	MOLEX INCORPORATED				
REVISION	1 PLACE ±.3	ANGULAR: ±2°	CAD FILENAME 9605-XX	MATERIAL NO. SEE CHART	DRAWING NO. SD-39960-002	SHEET NO. 1 OF 1	SIZE B	
REV	DRAFT WHERE APPLICABLE MUST REMAIN WITHIN DIMENSIONS		THIS DRAWING CONTAINS INFORMATION THAT IS PROPRIETARY TO MOLEX INCORPORATED AND SHOULD NOT BE USED WITHOUT WRITTEN PERMISSION.					

DESCRIPTION	QUALITY SYMBOLS	GENERAL TOLERANCES* (UNLESS SPECIFIED)	SCALE 3:2	DESIGN UNITS <input type="checkbox"/> mm <input checked="" type="checkbox"/> INCH	THIRD ANGLE PROJECTION	DIMENSIONS: <input checked="" type="checkbox"/> mm <input type="checkbox"/> INCH <input type="checkbox"/> mm ONLY	SHT	REV
MAJOR	4 PLACES ±.038 ±.005	DRAWN BY & DATE OHR 3-19-02	APPROVED BY & DATE L. ROTHBAUS 6-18-02	MOLEX INCORPORATED				
CRITICAL	3 PLACES ±.13 ±.01	CHECKED BY & DATE A. PLAZA 6-18-02	APPROVED BY & DATE L. ROTHBAUS 6-18-02	MOLEX INCORPORATED				
REVISION	1 PLACE ±.3	ANGULAR: ±2°	CAD FILENAME 9605-XX	MATERIAL NO. SEE CHART	DRAWING NO. SD-39960-002	SHEET NO. 1 OF 1	SIZE B	
REV	DRAFT WHERE APPLICABLE MUST REMAIN WITHIN DIMENSIONS		THIS DRAWING CONTAINS INFORMATION THAT IS PROPRIETARY TO MOLEX INCORPORATED AND SHOULD NOT BE USED WITHOUT WRITTEN PERMISSION.					

DESCRIPTION	QUALITY SYMBOLS	GENERAL TOLERANCES* (UNLESS SPECIFIED)	SCALE 3:2	DESIGN UNITS <input type="checkbox"/> mm <input checked="" type="checkbox"/> INCH	THIRD ANGLE PROJECTION	DIMENSIONS: <input checked="" type="checkbox"/> mm <input type="checkbox"/> INCH <input type="checkbox"/> mm ONLY	SHT	REV
MAJOR	4 PLACES ±.038 ±.005	DRAWN BY & DATE OHR 3-19-02	APPROVED BY & DATE L. ROTHBAUS 6-18-02	MOLEX INCORPORATED				
CRITICAL	3 PLACES ±.13 ±.01	CHECKED BY & DATE A. PLAZA 6-18-02	APPROVED BY & DATE L. ROTHBAUS 6-18-02	MOLEX INCORPORATED				
REVISION	1 PLACE ±.3	ANGULAR: ±2°	CAD FILENAME 9605-XX	MATERIAL NO. SEE CHART	DRAWING NO. SD-39960-002	SHEET NO. 1 OF 1	SIZE B	
REV	DRAFT WHERE APPLICABLE MUST REMAIN WITHIN DIMENSIONS		THIS DRAWING CONTAINS INFORMATION THAT IS PROPRIETARY TO MOLEX INCORPORATED AND SHOULD NOT BE USED WITHOUT WRITTEN PERMISSION.					

DESCRIPTION	QUALITY SYMBOLS	GENERAL TOLERANCES* (UNLESS SPECIFIED)	SCALE 3:2	DESIGN UNITS <input type="checkbox"/> mm <input checked="" type="checkbox"/> INCH	THIRD ANGLE PROJECTION	DIMENSIONS: <input checked="" type="checkbox"/> mm <input type="checkbox"/> INCH <input type="checkbox"/> mm ONLY	SHT	REV
MAJOR	4 PLACES ±.038 ±.005	DRAWN BY & DATE OHR 3-19-02	APPROVED BY & DATE L. ROTHBAUS 6-18-02	MOLEX INCORPORATED				
CRITICAL	3 PLACES ±.13 ±.01	CHECKED BY & DATE A. PLAZA 6-18-02	APPROVED BY & DATE L. ROTHBAUS 6-18-02	MOLEX INCORPORATED				
REVISION	1 PLACE ±.3	ANGULAR: ±2°	CAD FILENAME 9605-XX	MATERIAL NO. SEE CHART	DRAWING NO. SD-39960-002	SHEET NO. 1 OF 1	SIZE B	
REV	DRAFT WHERE APPLICABLE MUST REMAIN WITHIN DIMENSIONS		THIS DRAWING CONTAINS INFORMATION THAT IS PROPRIETARY TO MOLEX INCORPORATED AND SHOULD NOT BE USED WITHOUT WRITTEN PERMISSION.					

DESCRIPTION	QUALITY SYMBOLS	GENERAL TOLERANCES* (UNLESS SPECIFIED)	SCALE 3:2	DESIGN UNITS <input type="checkbox"/> mm <input checked="" type="checkbox"/> INCH	THIRD ANGLE PROJECTION	DIMENSIONS: <input checked="" type="checkbox"/> mm <input type="checkbox"/> INCH <input type="checkbox"/> mm ONLY	SHT	REV
MAJOR	4 PLACES ±.038 ±.005	DRAWN BY & DATE OHR 3-19-02	APPROVED BY & DATE L. ROTHBAUS 6-18-02	MOLEX INCORPORATED				
CRITICAL	3 PLACES ±.13 ±.01	CHECKED BY & DATE A. PLAZA 6-18-02	APPROVED BY & DATE L. ROTHBAUS 6-18-02	MOLEX INCORPORATED				
REVISION	1 PLACE ±.3	ANGULAR: ±2°	CAD FILENAME 9605-XX	MATERIAL NO. SEE CHART	DRAWING NO. SD-39960-002	SHEET NO. 1 OF 1	SIZE B	
REV	DRAFT WHERE APPLICABLE MUST REMAIN WITHIN DIMENSIONS		THIS DRAWING CONTAINS INFORMATION THAT IS PROPRIETARY TO MOLEX INCORPORATED AND SHOULD NOT BE USED WITHOUT WRITTEN PERMISSION.					

DESCRIPTION	QUALITY SYMBOLS	GENERAL TOLERANCES* (UNLESS SPECIFIED)	SCALE 3:2	DESIGN UNITS <input type="checkbox"/> mm <input checked="" type="checkbox"/> INCH	THIRD ANGLE PROJECTION	DIMENSIONS: <input checked="" type="checkbox"/> mm <input type="checkbox"/> INCH <input type="checkbox"/> mm ONLY	SHT	REV
MAJOR	4 PLACES ±.038 ±.005	DRAWN BY & DATE OHR 3-19-02	APPROVED BY & DATE L. ROTHBAUS 6-18-02	MOLEX INCORPORATED				
CRITICAL	3 PLACES ±.13 ±.01	CHECKED BY & DATE A. PLAZA 6-18-02	APPROVED BY & DATE L. ROTHBAUS 6-18-02	MOLEX INCORPORATED				
REVISION	1 PLACE ±.3	ANGULAR: ±2°	CAD FILENAME 9605-XX	MATERIAL NO. SEE CHART	DRAWING NO. SD-39960-002	SHEET NO. 1 OF 1	SIZE B	
REV	DRAFT WHERE APPLICABLE MUST REMAIN WITHIN DIMENSIONS		THIS DRAWING CONTAINS INFORMATION THAT IS PROPRIETARY TO MOLEX INCORPORATED AND SHOULD NOT BE USED WITHOUT WRITTEN PERMISSION.					

DESCRIPTION	QUALITY SYMBOLS	GENERAL TOLERANCES* (UNLESS SPECIFIED)	SCALE 3:2	DESIGN UNITS <input type="checkbox"/> mm <input checked="" type="checkbox"/> INCH	THIRD ANGLE PROJECTION	DIMENSIONS: <input checked="" type="checkbox"/> mm <input type="checkbox"/> INCH <input type="checkbox"/> mm ONLY	SHT	REV
MAJOR	4 PLACES ±.038 ±.005	DRAWN BY & DATE OHR 3-19-02	APPROVED BY & DATE L. ROTHBAUS 6-18-02	MOLEX INCORPORATED				
CRITICAL	3 PLACES ±.13 ±.01	CHECKED BY & DATE A. PLAZA 6-18-02	APPROVED BY & DATE L. ROTHBAUS 6-18-02	MOLEX INCORPORATED				
REVISION	1 PLACE ±.3	ANGULAR: ±2°	CAD FILENAME 9605-XX	MATERIAL NO. SEE CHART	DRAWING NO. SD-39960-002	SHEET NO. 1 OF 1	SIZE B	
REV	DRAFT WHERE APPLICABLE MUST REMAIN WITHIN DIMENSIONS		THIS DRAWING CONTAINS INFORMATION THAT IS PROPRIETARY TO MOLEX INCORPORATED AND SHOULD NOT BE USED WITHOUT WRITTEN PERMISSION.					

DESCRIPTION	QUALITY SYMBOLS	GENERAL TOLERANCES* (UNLESS SPECIFIED)	SCALE 3:2	DESIGN UNITS <input type="checkbox"/> mm <input checked="" type="checkbox"/> INCH	THIRD ANGLE PROJECTION	DIMENSIONS: <input checked="" type="checkbox"/> mm <input type="checkbox"/> INCH <input type="checkbox"/> mm ONLY	SHT	REV
MAJOR	4 PLACES ±.038 ±.005	DRAWN BY & DATE OHR 3-19-02	APPROVED BY & DATE L. ROTHBAUS 6-18-02	MOLEX INCORPORATED				
CRITICAL	3 PLACES ±.13 ±.01	CHECKED BY & DATE A. PLAZA 6-18-02	APPROVED BY & DATE L. ROTHBAUS 6-18-02	MOLEX INCORPORATED				
REVISION	1 PLACE ±.3	ANGULAR: ±2°	CAD FILENAME 9605-XX	MATERIAL NO. SEE CHART	DRAWING NO. SD-39960-002	SHEET NO. 1 OF 1	SIZE B	
REV	DRAFT WHERE APPLICABLE MUST REMAIN WITHIN DIMENSIONS		THIS DRAWING CONTAINS INFORMATION THAT IS PROPRIETARY TO MOLEX INCORPORATED AND SHOULD NOT BE USED WITHOUT WRITTEN PERMISSION.					

DESCRIPTION	QUALITY SYMBOLS	GENERAL TOLERANCES* (UNLESS SPECIFIED)	SCALE 3:2	DESIGN UNITS <input type="checkbox"/> mm <input checked="" type="checkbox"/> INCH	THIRD ANGLE PROJECTION	DIMENSIONS: <input checked="" type="checkbox"/> mm <input type="checkbox"/> INCH <input type="checkbox"/> mm ONLY	SHT	REV
MAJOR	4 PLACES ±.038 ±.005	DRAWN BY & DATE OHR 3-19-02	APPROVED BY & DATE L. ROTHBAUS 6-18-02	MOLEX INCORPORATED				
CRITICAL	3 PLACES ±.13 ±.01	CHECKED BY & DATE A. PLAZA 6-18-02	APPROVED BY & DATE L. ROTHBAUS 6-18-02	MOLEX INCORPORATED				
REVISION	1 PLACE ±.3	ANGULAR: ±2°	CAD FILENAME 9605-XX	MATERIAL NO. SEE CHART	DRAWING NO. SD-39960-002	SHEET NO. 1 OF 1	SIZE B	
REV	DRAFT WHERE APPLICABLE MUST REMAIN WITHIN DIMENSIONS		THIS DRAWING CONTAINS INFORMATION THAT IS PROPRIETARY TO MOLEX INCORPORATED AND SHOULD NOT BE USED WITHOUT WRITTEN PERMISSION.					

DESCRIPTION	QUALITY SYMBOLS	GENERAL TOLERANCES* (UNLESS SPECIFIED)	SCALE 3:2	DESIGN UNITS <input type="checkbox"/> mm <input checked="" type="checkbox"/> INCH	THIRD ANGLE PROJECTION	DIMENSIONS: <input checked="" type="checkbox"/> mm <input type="checkbox"/> INCH <input type="checkbox"/> mm ONLY	SHT	REV
MAJOR	4 PLACES ±.038 ±.005	DRAWN BY & DATE OHR 3-19-02	APPROVED BY & DATE L. ROTHBAUS 6-18-02	MOLEX INCORPORATED				
CRITICAL	3 PLACES ±.13 ±.01	CHECKED BY & DATE A. PLAZA 6-18-02	APPROVED BY & DATE L. ROTHBAUS 6-18-02	MOLEX INCORPORATED				
REVISION	1 PLACE ±.3	ANGULAR: ±2°	CAD FILENAME 9605-XX	MATERIAL NO. SEE CHART	DRAWING NO. SD-39960-002	SHEET NO. 1 OF 1	SIZE B	
REV	DRAFT WHERE APPLICABLE MUST REMAIN WITHIN DIMENSIONS		THIS DRAWING CONTAINS INFORMATION THAT IS PROPRIETARY TO MOLEX INCORPORATED AND SHOULD NOT BE USED WITHOUT WRITTEN PERMISSION.					

DESCRIPTION	QUALITY SYMBOLS	GENERAL TOLERANCES* (UNLESS SPECIFIED)	SCALE 3:2	DESIGN UNITS <input type="checkbox"/> mm <input checked="" type="checkbox"/> INCH	THIRD ANGLE PROJECTION	DIMENSIONS: <input checked="" type="checkbox"/> mm <input type="checkbox"/> INCH <input type="checkbox"/> mm ONLY	SHT	REV
MAJOR	4 PLACES ±.038 ±.005	DRAWN BY & DATE OHR 3-19-02	APPROVED BY & DATE L. ROTHBAUS 6-18-02	MOLEX INCORPORATED				
CRITICAL	3 PLACES ±.13 ±.01	CHECKED BY & DATE A. PLAZA 6-18-02	APPROVED BY & DATE L. ROTHBAUS 6-18-02	MOLEX INCORPORATED				
REVISION	1 PLACE ±.3	ANGULAR: ±2°	CAD FILENAME 9605-XX	MATERIAL NO. SEE CHART	DRAWING NO. SD-39960-002	SHEET NO. 1 OF 1	SIZE B	
REV	DRAFT WHERE APPLICABLE MUST REMAIN WITHIN DIMENSIONS		THIS DRAWING CONTAINS INFORMATION THAT IS PROPRIETARY TO MOLEX INCORPORATED AND SHOULD NOT BE USED WITHOUT WRITTEN PERMISSION.					

DESCRIPTION	QUALITY SYMBOLS	GENERAL TOLERANCES* (UNLESS SPECIFIED)	SCALE 3:2	DESIGN UNITS <input type="checkbox"/> mm <input checked="" type="checkbox"/> INCH	THIRD ANGLE PROJECTION	DIMENSIONS: <input checked="" type="checkbox"/> mm <input type="checkbox"/> INCH <input type="checkbox"/> mm ONLY	SHT	REV
MAJOR	4 PLACES ±.038 ±.005	DRAWN BY & DATE OHR 3-19-02	APPROVED BY & DATE L. ROTHBAUS 6-18-02	MOLEX INCORPORATED				
CRITICAL	3 PLACES ±.13 ±.01	CHECKED BY & DATE A. PLAZA 6-18-02	APPROVED BY & DATE L. ROTHBAUS 6-18-02	MOLEX INCORPORATED				
REVISION	1 PLACE ±.3	ANGULAR: ±2°	CAD FILENAME 9605-XX	MATERIAL NO. SEE CHART	DRAWING NO. SD-39960-002	SHEET NO. 1 OF 1	SIZE B	
REV	DRAFT WHERE APPLICABLE MUST REMAIN WITHIN DIMENSIONS		THIS DRAWING CONTAINS INFORMATION THAT IS PROPRIETARY TO MOLEX INCORPORATED AND SHOULD NOT BE USED WITHOUT WRITTEN PERMISSION.					

DESCRIPTION	QUALITY SYMBOLS	GENERAL TOLERANCES* (UNLESS SPECIFIED)	SCALE 3:2	DESIGN UNITS <input type="checkbox"/> mm <input checked="" type="checkbox"/> INCH	THIRD ANGLE PROJECTION	DIMENSIONS: <input checked="" type="checkbox"/> mm <input type="checkbox"/> INCH <input type="checkbox"/> mm ONLY	SHT	REV
MAJOR	4 PLACES ±.038 ±.005	DRAWN BY & DATE OHR 3-19-02	APPROVED BY & DATE L. ROTHBAUS 6-18-02	MOLEX INCORPORATED				
CRITICAL	3 PLACES ±.13 ±.01	CHECKED BY & DATE A. PLAZA 6-18-02	APPROVED BY & DATE L. ROTHBAUS 6-18-02	MOLEX INCORPORATED				
REVISION	1 PLACE ±.3	ANGULAR: ±2°	CAD FILENAME 9605-XX	MATERIAL NO. SEE CHART	DRAWING NO. SD-39960-002	SHEET NO. 1 OF 1	SIZE B	
REV	DRAFT WHERE APPLICABLE MUST REMAIN WITHIN DIMENSIONS		THIS DRAWING CONTAINS INFORMATION THAT IS PROPRIETARY TO MOLEX INCORPORATED AND SHOULD NOT BE USED WITHOUT WRITTEN PERMISSION.					