

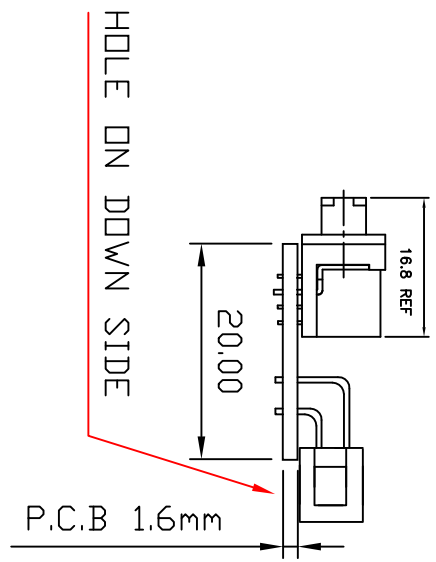
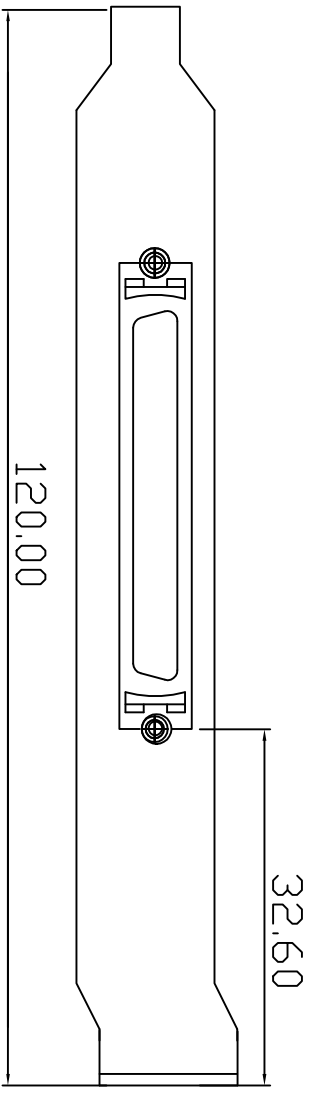
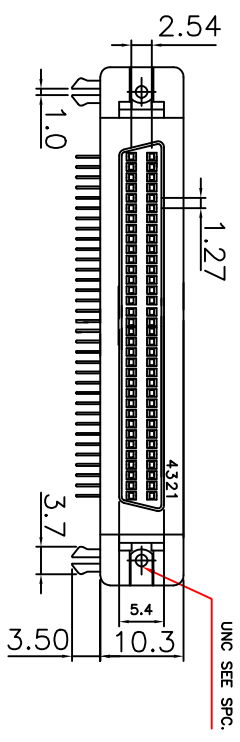
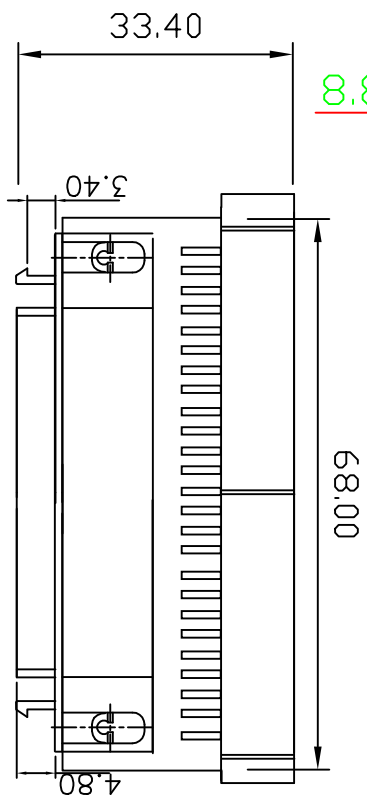
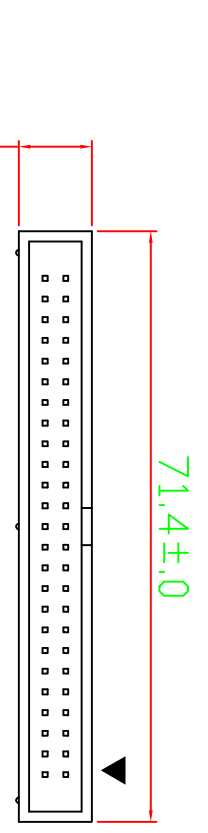
Excellent Integrated System Limited

Stocking Distributor

Click to view price, real time Inventory, Delivery & Lifecycle Information:

[ASSMANN WSW Components](#)
[AB841](#)

For any questions, you can email us directly:
sales@integrated-circuit.com



PIN ASSIGNMENT

A	B	A	B
1	X	35	X
2	X	36	X
3	X	37	X
4	X	38	X
5	X	39	X
6	X	40	X
7	X	41	X
8	X	42	X
9	X	43	X
10	X	44	X
11	X	45	X
12	X	46	X
13	X	47	X
14	X	48	X
15	X	49	X
16	X	50	X
17	X	51	X
18	X	52	X
19	X	53	X
20	X	54	X
21	X	55	X
22	X	56	X
23	X	57	X
24	X	58	X
25	X	59	X
26	X	60	X
27	X	61	X
28	X	62	X
29	X	63	X
30	X	64	X
31	X	65	X
32	X	66	X
33	X	67	X
34	X	68	X

REV. A	ISOD11-BL	SLOT	CARD	DESCRIPTION	DATE
				CARD HPD68PIN FEMALE W/BACKET TO BOX HEADERSO MALE	02/16/00

DATE	02/16/00	APPROVED	SIZE	REV. A	PRODUCT NO.
			A4		AB 841
					FILE NAME: ISOD11-BL

SCALE:	1:1	UNIT:	MM
DRAWN:	MICHAEL	DATE:	02/16/00
CHECKED:			
UNLESS OTHERWISE SPECIFIED TOLERANCE			
ANG:	±0.5		
	0		
	±0.3		
	±0.2		

Assmann Electronic GmbH

DRAWN NAME: ISOD11-BL