

Excellent Integrated System Limited

Stocking Distributor

Click to view price, real time Inventory, Delivery & Lifecycle Information:

[TE Connectivity AMP Connectors
322050](#)

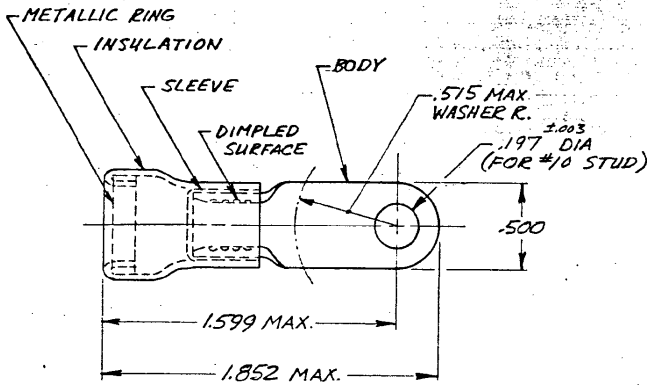
For any questions, you can email us directly:

sales@integrated-circuit.com

DRAWING MADE IN THIRD ANGLE PROJECTION

© COPYRIGHT 1957 BY AMP INCORPORATED, HARRISBURG, PA.
 ALL INTERNATIONAL RIGHTS RESERVED. AMP INCORPORATED PRODUCTS
 COVERED BY U. S. AND FOREIGN PATENTS AND/OR PATENTS PENDING.

		REVISIONS				
P	F	ZONE	LTR	DESCRIPTION	DATE	APPROVED
✓	✓		D	REDESIGNED & REVISED PER BUN P-700	11/1/78	dlr
✓	✓		E	REV. G-4680	7/5/80	dlr
			F	OBS 2--1 PER 0720-0939-96	5/96	DKS DMS



FOR .377 MAX. WIRE INS. DIA. TONGUE MATERIAL THK. = .045

QTY.	DESCRIPTION	PART No ON TAPE	MATERIALS & FINISH	PART NO
1	WIRE TERMINAL	2-322050	BODY: COPPER (99-C-574) TIN PL (MIL-T-10727) INSULATION: PVC COLOR: BLUE METALLIC RING: STEEL (99-S-898) SLEEVE: COPPER (99-C-574)	322050

UNLESS OTHERWISE SPECIFIED DIMENSIONS ARE IN INCHES. TOLERANCES ON DECIMALS ANGLES	CONTRACT NO	AMP INCORPORATED Harrisburg, Pa.
	DR	
	MATERIAL	NAME
	FINISH	SIZE

SEE TABLE	APPD	APPD	DSGN APPD	OTHER APPD	CODE IDENT NO	DRAWING NO	SCALE	SHEET
SEE TABLE					B	00779	322050	N.T.S.