

Excellent Integrated System Limited

Stocking Distributor

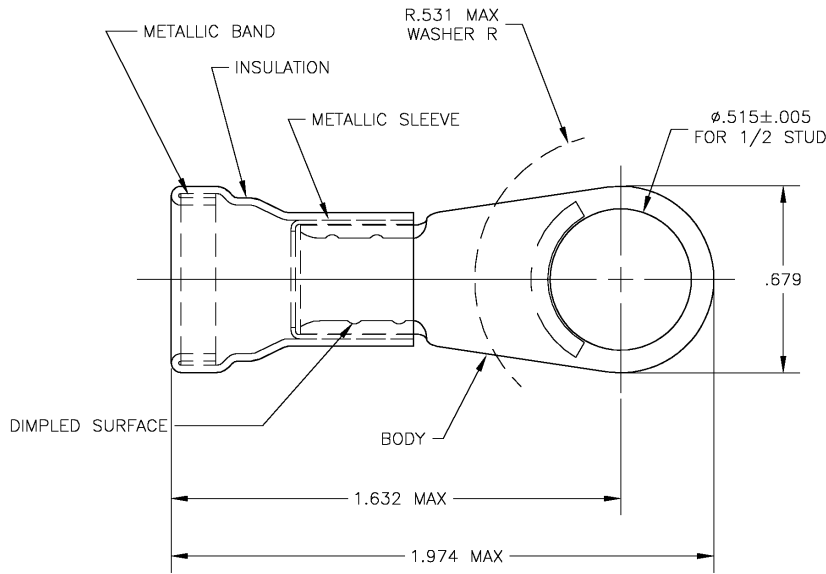
Click to view price, real time Inventory, Delivery & Lifecycle Information:

[TE Connectivity AMP Connectors
328221](#)

For any questions, you can email us directly:
sales@integrated-circuit.com

THIS DRAWING IS UNPUBLISHED. RELEASED FOR PUBLICATION
 COPYRIGHT BY TYCO ELECTRONICS CORPORATION. ALL RIGHTS RESERVED.

LOC	DIST	REVISIONS			
P	LR	DESCRIPTION	DATE	DWN	APVD
G	14	C	REDRAWN PER 0G3A-0589-03	030CT03	JR MS



- 1 TONGUE MATERIAL THK IS .048±.003
- 2 FOR .436 MAX WIRE INSULATION DIA.
- 3 WIRE SIZE: 4

1	BODY: COPPER PER ASTM B152 TIN PLATE PER ASTM B545 INSULATION: PVC, COLOR YELLOW METALLIC SLEEVE: COPPER ASTM B152 METALLIC BAND: STEEL MIL-S-4174	328221-0
QTY	MATERIAL & FINISH	PART NO.

THIS DRAWING IS A CONTROLLED DOCUMENT.		DWN jr_ruth	020CT03	Tyco Electronics Corporation Harrisburg, PA 17105
DIMENSIONS: INCHES		CHK MJ SPICER	030CT03	
TOLERANCES UNLESS OTHERWISE SPECIFIED: 0 PLC ± - 1 PLC ± - 2 PLC ± - 3 PLC ± .008 4 PLC ± - ±S ANGLES ±S		APVD MJ SPICER	030CT03	NAME
MATERIAL SEE TABLE		FINISH SEE TABLE		WIRE TERMINAL AMPLI-BOND, RING TONGUE WIRE SIZE: 4
CUSTOMER DRAWING		SIZE A3	CAGE CODE 00779	DRAWING NO 328221
		SCALE 3:1		SHEET 1 OF 1
				REV C