



**Distributor of NorComp : Excellent Integrated System Limited**

Datasheet of 189-009-312-571 - D-Sub Connector Plug, Male Pins; Receptacle, Female Sockets 9, 9 Position Board Edge, Through Hole, Right Angle Solder

Contact us: [sales@integrated-circuit.com](mailto:sales@integrated-circuit.com) Website: [www.integrated-circuit.com](http://www.integrated-circuit.com)

---

## **Excellent Integrated System Limited**

Stocking Distributor

Click to view price, real time Inventory, Delivery & Lifecycle Information:

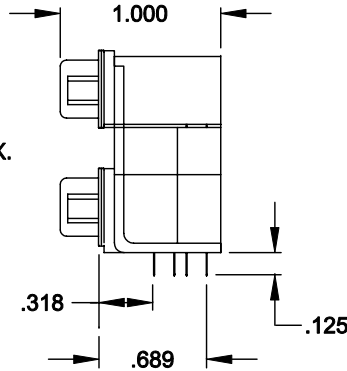
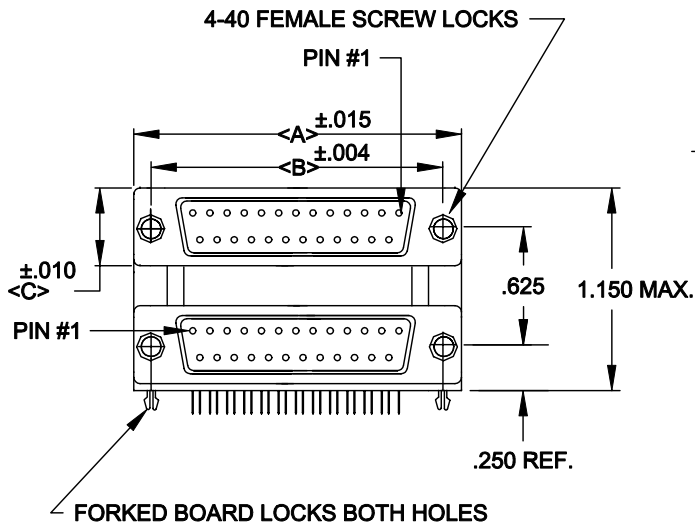
[NorComp](#)

[189-009-312-571](tel:189-009-312-571)

For any questions, you can email us directly:

[sales@integrated-circuit.com](mailto:sales@integrated-circuit.com)

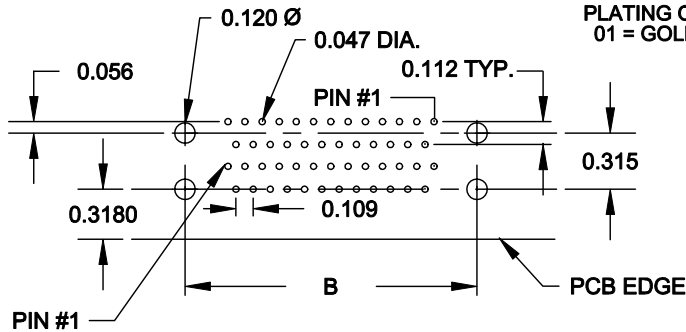
DESCRIPTION: .625 CENTER DUAL PORT D-SUB FEMALE/MALE



	A	B	C
9	1.204 30.6	.984 25.0	.494 12.55
15	1.535 39.0	1.312 33.3	.494 12.55
25	2.078 52.8	1.850 47.0	.494 12.55
37	2.724 69.2	2.500 63.5	.494 12.55

189-XXX-312-571

SERIES \_\_\_\_\_  
POSITIONS \_\_\_\_\_  
009 \_\_\_\_\_  
015 \_\_\_\_\_  
025 \_\_\_\_\_  
037 \_\_\_\_\_  
GENDER \_\_\_\_\_  
61 = MALE OVER MALE  
41 = MALE OVER FEMALE  
51 = FEMALE OVER FEMALE  
31 = FEMALE OVER MALE  
SHELL PLATING \_\_\_\_\_  
2 = TIN  
HARDWARE OPTIONS \_\_\_\_\_  
57 = 4-40 STANDOFFS/FORK BOARD LOCKS  
PLATING OPTIONS \_\_\_\_\_  
01 = GOLD FLASH




**SPECIFICATIONS:**

**MATERIALS:**

SHELL: STEEL, TIN PLATED  
INSULATOR: UL 94V-0 RATED BLACK  
GLASS-FILLED POLYESTER

**ELECTRICALS:**

CURRENT RATING: 5 AMPS  
DIELECTRIC STRENGTH: 1000V AC RMS  
INSULATOR RESISTANCE: 1000 MOHMS MIN  
TEMPERATURE: -55°C TO +105°C

 <b>NorComp</b>	<small>THESE DRAWINGS AND SPECIFICATIONS ARE THE PROPERTY OF NorComp AND SHALL NOT BE REPRODUCED, COPIED OR USED AS THE BASIS FOR THE MANUFACTURE OF SALE OF APPARATUS WITHOUT WRITTEN PERMISSION.</small>		DRAWN: <b>PAM JENKINS</b>	DATE: <b>9-24-98</b>
			CHECKED:	DATE:
		SCALE: 1:1	SHEET 1 OF 1	REV 5
		DWG NO. <b>189-XXX-312-571</b>		