



Distributor of NorComp : Excellent Integrated System Limited

Datasheet of 178-009-412-571 - D-Sub Connector Plug, Male Pins; Receptacle, Female Sockets 9, 9 Position Board Edge, Through Hole, Right Angle Solder

Contact us: sales@integrated-circuit.com Website: www.integrated-circuit.com

Excellent Integrated System Limited

Stocking Distributor

Click to view price, real time Inventory, Delivery & Lifecycle Information:

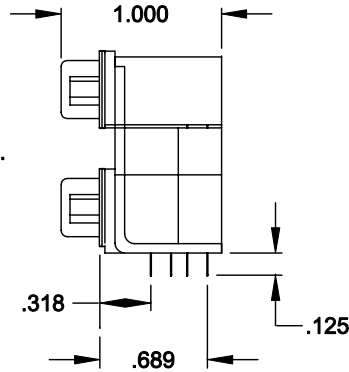
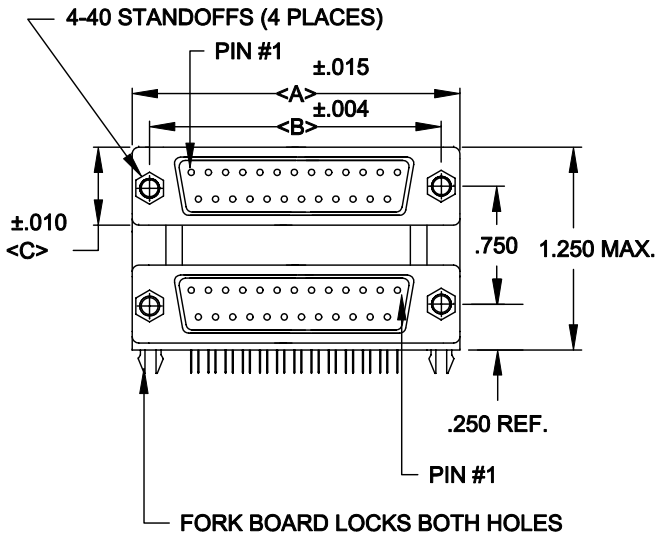
[NorComp](#)

[178-009-412-571](tel:178-009-412-571)

For any questions, you can email us directly:

sales@integrated-circuit.com

DESCRIPTION: .750 CENTER DUAL PORT D-SUB MALE/FEMALE



	A	B	C
9	1.204 30.6	.984 25.0	.494 12.55
15	1.535 39.0	1.312 33.3	.494 12.55
25	2.078 52.8	1.850 47.0	.494 12.55
37	2.724 69.2	2.500 63.5	.494 12.55

178-XXX-412-571

SERIES
POSITIONS
009
015
025
037
GENDER
61 = MALE OVER MALE
41 = MALE OVER FEMALE
51 = FEMALE OVER FEMALE
31 = FEMALE OVER MALE
SHELL PLATING
2 = TIN
HARDWARE OPTIONS
57 = 4-40 STANDOFFS/BOARD LOCKS
PLATING OPTIONS
01 = GOLD FLASH

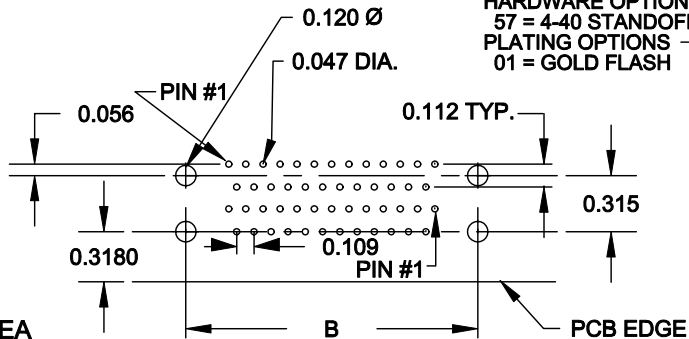
SPECIFICATIONS:

MATERIALS:

SHELL: STEEL, TIN PLATED
INSULATOR: UL 94V-0 RATED BLACK
GLASS-FILLED POLYESTER
CONTACTS: BRASS - GOLD FLASH IN MATING AREA
TIN/LEAD SOLDER TAILS

ELECTRICALS:

CURRENT RATING: 5 AMPS
DIELECTRIC STRENGTH: 1000V AC RMS
INSULATOR RESISTANCE: 1000 MOHMS MIN
TEMPERATURE: -55°C TO +105°C



THESE DRAWINGS AND SPECIFICATIONS ARE THE PROPERTY OF NorComp AND SHALL NOT BE REPRODUCED, COPIED OR USED AS THE BASIS FOR THE MANUFACTURE OF SALE OF APPARATUS WITHOUT WRITTEN PERMISSION.

DRAWN: PAM JENKINS	DATE: 9-24-98	
CHECKED:	DATE:	
SCALE: 1:1	SHEET 1 OF 1	REV 8
DWG NO. 178-XXX-412-571		

NorComp