



## Excellent Integrated System Limited

Stocking Distributor

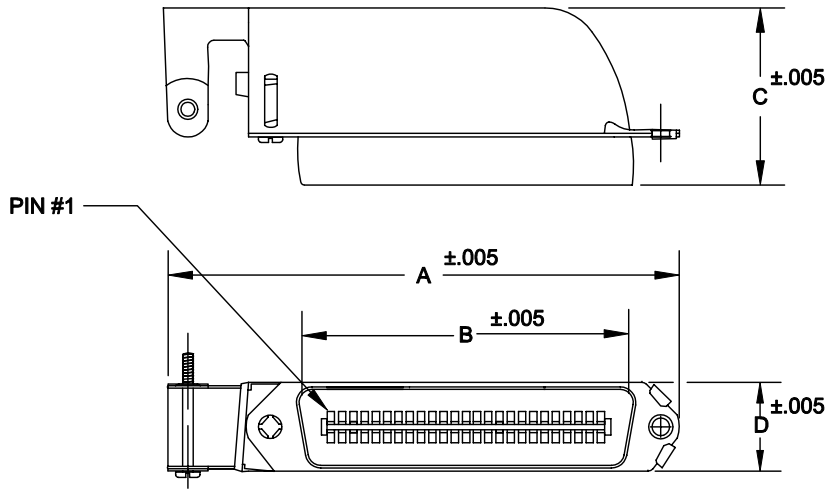
Click to view price, real time Inventory, Delivery & Lifecycle Information:

[NorComp](#)  
[112-050-103-011](#)

For any questions, you can email us directly:  
[sales@integrated-circuit.com](mailto:sales@integrated-circuit.com)

DESCRIPTION: SCSI 1 MALE RIGHT ANGLE CONNECTOR/BACKSHELL KIT

	A	B	C	D
36	DISCONTINUED			
50	3.780	2.538	1.325	.646
	96.00	64.47	33.65	16.40



**KIT INCLUDES:**  
**SOLDER CUP CONNECTOR**  
**BACKSHELL/HARDWARE**

112-XXX-103-011

SERIES \_\_\_\_\_  
 POSITIONS 050 \_\_\_\_\_  
 GENDER 1 = MALE \_\_\_\_\_  
 TERMINATION 0 = SOLDER CUP \_\_\_\_\_  
 SHELL PLATING 3 = NICKEL \_\_\_\_\_  
 HARDWARE OPTIONS \_\_\_\_\_  
 01 = PIN #1 AT CABLE ENTRY \_\_\_\_\_  
 PLATING OPTIONS \_\_\_\_\_  
 01 = GOLD FLASH \_\_\_\_\_

**MATERIALS:**

INSULATOR: GLASS-FILLED THERMOPLASTIC  
 UL RATED 94V-0  
 CONTACTS: COPPER ALLOY  
 SHELL: STEEL, NICKEL PLATED  
 CONTACT PLATING:  
 GOLD PLATED

NOTE: PLEASE NOTE ORIENTATION OF CONNECTOR IN REGARDS TO CABLE ENTRY.

**ELECTRICALS:**

CONTACT CURRENT RATING: 5 AMPS  
 DIELECTRIC WITHSTANDING VOLTAGE: AC 1200 R.M.S.  
 INSULATION RESISTANCE: 1000 mohms MINIMUM AT 500V DC  
 CONTACT RESISTANCE: 30 mOHMS MAXIMUM  
 OPERATING TEMPERATURE: -55°C TO +125°C

	THESE DRAWINGS AND SPECIFICATIONS ARE THE PROPERTY OF NorComp AND SHALL NOT BE REPRODUCED, COPIED OR USED AS THE BASIS FOR THE MANUFACTURE OF SALE OF APPARATUS WITHOUT WRITTEN PERMISSION.		DRAWN: WAYNE ROBBINS	DATE: 9-25-98
			CHECKED:	DATE:
<b>NorComp</b>	SCALE: 1:1	SHEET 1 OF 1	REV 3	
	DWG NO. 112-XXX-103-011			