

Excellent Integrated System Limited

Stocking Distributor

Click to view price, real time Inventory, Delivery & Lifecycle Information:

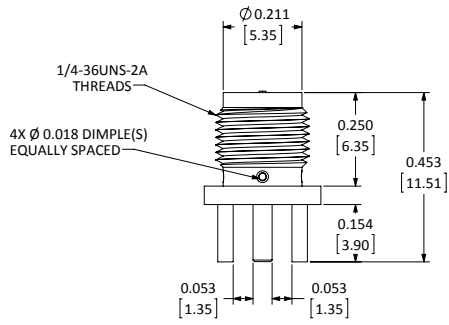
[Linx Technologies](#)
[CONREVSMA003.031](#)

For any questions, you can email us directly:

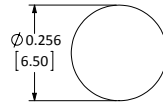
sales@integrated-circuit.com

DESCRIPTION	MATERIAL	FINISH
BODY	BRASS	NICKEL
PIN	BRASS	GOLD
INSULATION	PTFE	N/A

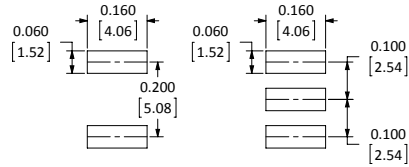
REVISIONS			
REV	DESCRIPTION	DATE	APPV
B	UPDATED FOOTPRINT AND DIMENSIONS; ADDED NEW TITLE BLOCK	29-JUN-12	SAH
C	ADDED DIMPLE TO PART	3-JUN-13	SAH



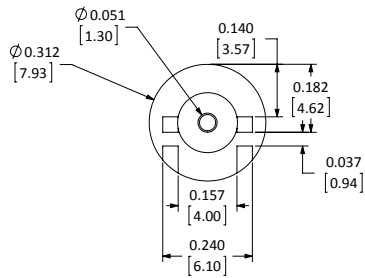
TOP VIEW



RECOMMENDED MOUNTING HOLE



BOTTOM TOP
RECOMMENDED FOOTPRINT



BACK VIEW

NOTES: (UNLESS OTHERWISE SPECIFIED)

1. ALL DIMENSIONS ARE IN INCHES [mm].
2. DIMENSIONS APPLY AFTER FINISHING.
3. MANUFACTURE TO BE COMPLIANT WITH EU RoHS DIRECTIVE.
4. SAFETY BREAK ALL SHARP CORNERS AND EDGES .02 MAXIMUM.

WARNING: THIS DRAWING CONTAINS PROPRIETARY INFORMATION THAT IS THE SOLE PROPERTY OF LINX TECHNOLOGIES, AND SHALL BE TREATED AS SUCH. NO DISCLOSURE OR REPRODUCTION OF THIS DOCUMENT IS PERMITTED, IN WHOLE OR IN PART, WITHOUT THE EXPRESS WRITTEN PERMISSION OF LINX TECHNOLOGIES OR ITS DESIGNATED AGENTS.

Linx 159 ORT LANE
MERLIN, OR 97532
TITLE: RP-SMA FEMALE EDGE MOUNT
FOR 0.031" THICK BOARD

MATERIAL: INTERPRET DIMENSIONS AND TOLERANCES PER ASME Y14.5. PROJECTION: SURFACE FINISH: ✓ ANGLES: ±1° TOLERANCES: X ±.1 XX ±.01 XXX ±.005
FINISH: DRAWN: B.MURPHY DT: 11-MAR-13 ENGR: S.HOGAN DT: 3-JUN-13

SIZE DWG. NO. REV B CONREVSMA003.031 C SCALE: 4:1 DO NOT SCALE DRAWING SHEET 1 OF 1 LDCFD8_C