

Excellent Integrated System Limited

Stocking Distributor

Click to view price, real time Inventory, Delivery & Lifecycle Information:

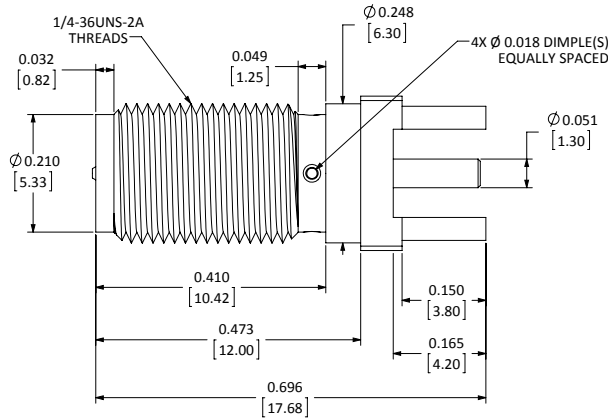
[Linx Technologies](#)
[CONREVSMA008](#)

For any questions, you can email us directly:

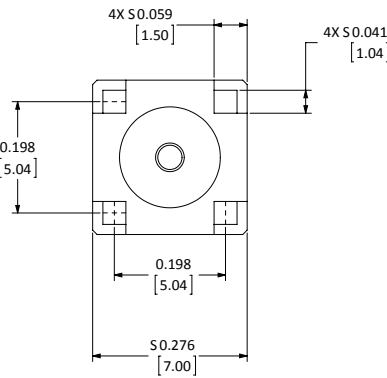
sales@integrated-circuit.com

DESCRIPTION	MATERIAL	FINISH
BODY	BRASS	NICKEL
PIN	BeCu	GOLD
INSULATION	PTFE	N/A
WASHER	BRASS	NICKEL
NUT	BRASS	NICKEL

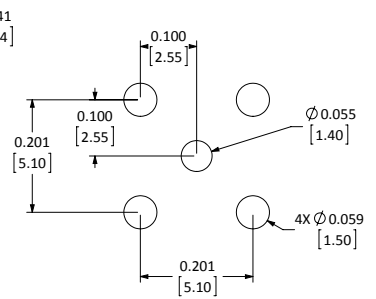
REVISIONS			
REV	DESCRIPTION	DATE	APPV
B	ADDED NUT AND WASHER	2/18/10	CJ
C	UPDATED FOOTPRINT AND DIMENSIONS; ADDED NEW TITLE BLOCK	2-JUL-12	SAH
D	UPDATED PART TO INCLUDE DIMPLING; NEW TITLE BLOCK	3-JUN-13	SAH



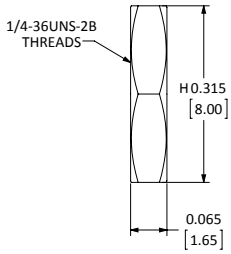
SIDE VIEW



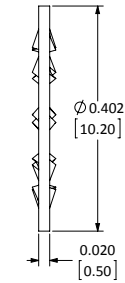
BACK VIEW



RECOMMENDED FOOTPRINT



NUT



WASHER

- NOTES: (UNLESS OTHERWISE SPECIFIED)
1. ALL DIMENSIONS ARE IN INCHES [mm].
 2. DIMENSIONS APPLY AFTER FINISHING.
 3. MANUFACTURE TO BE COMPLIANT WITH EU RoHS DIRECTIVE.
 4. SAFETY BREAK ALL SHARP CORNERS AND EDGES .02 MAXIMUM.

WARNING: THIS DRAWING CONTAINS PROPRIETARY INFORMATION THAT IS THE SOLE PROPERTY OF LINX TECHNOLOGIES, AND SHALL BE TREATED AS SUCH. NO DISCLOSURE OR REPRODUCTION OF THIS DOCUMENT IS PERMITTED, IN WHOLE OR IN PART, WITHOUT THE EXPRESS WRITTEN PERMISSION OF LINX TECHNOLOGIES OR ITS DESIGNATED AGENTS.

Linx 159 ORT LANE
MERLIN, OR 97532

MATERIAL: INTERPRET DIMENSIONS AND TOLERANCES PER ASME Y14.5. PROJECTION: SURFACE FINISH: ✓ ANGLES: ±1° TOLERANCES: X ±.1 .XX ±.01 .XXX ±.005
FINISH: DRAWN: B.MURPHY DT: 3-MAR-13 ENGR: S.HOGAN DT: 3-JUN-13

TITLE: RP-SMA FEMALE PCB MOUNT EXTENDED

SIZE DWG. NO. REV B CONREVSMA008 D SCALE: 6:1 DO NOT SCALE DRAWING SHEET 1 OF 1 LDCF08_C