

Excellent Integrated System Limited

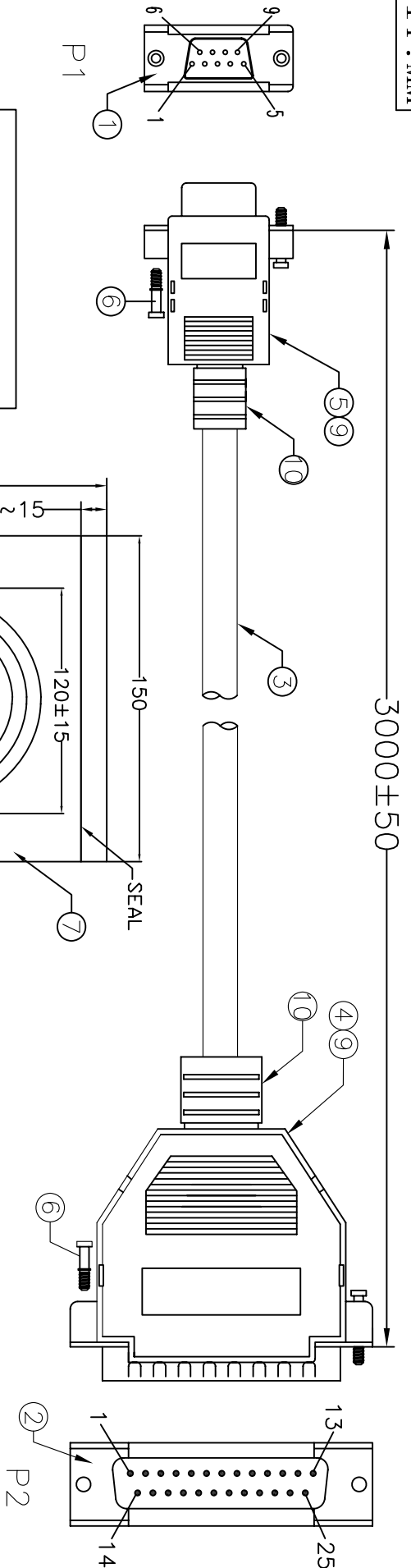
Stocking Distributor

Click to view price, real time Inventory, Delivery & Lifecycle Information:

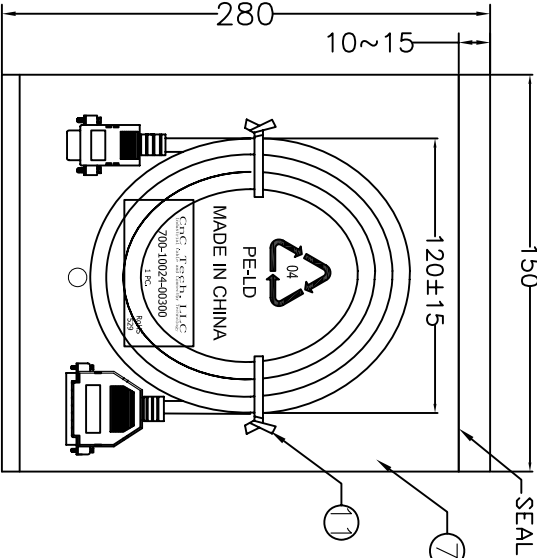
[CNC Tech](#)
[700-10024-00300](#)

For any questions, you can email us directly:
sales@integrated-circuit.com

UNIT : MM



P1		P2	
1	BLACK	4	
2	BROWN	2	
3	RED	3	
4	ORANGE	6,5	
5	YELLOW	7	
6,8	GREEN	20	
7	BLUE	8	
	DRAIN		
	SHELL		



Electronic Test:

1. 100% Test, (Open, Short, Miss Wire)
2. Contact Resistance: 5 ohm max.
3. Insulation Resistance: 5M ohm min.
4. Hi-Pot: 300V DC.

①	TIE	2	WHITE L=100mm
⑩	S/R	5.5g	BEIGE(IV-29#) 45P PVC (MOULD NO. SR-50/SR-51)
⑨	TUBE	50mm	HEAT SHRINK TUBE BLACK OD1.5mm, L1=20mm, L2=30mm
⑧	PE BAG	1/10	CLEAR SIZE: 360*380*0.05mm PRINT BLACK"MADE IN CHINA"+"10PCS"及生产周期,有透气孔.
⑦	PE BAG	1	CLEAR SIZE: 150*280*0.05mm PRINT BLACK"MADE IN CHINA"+"1PC"及生产周期,有透气孔.
⑥	SCREW	4	SCREW #4-40UNC L=12.5mm, NICKEL PLATED
⑤	DKN	1	DB9P DKN W/O NUT BEIGE
④	DKN	1	DB25P DKN W/O NUT BEIGE
③	CABLE	1	NOUL 28AWG(7/0.12)*7C+D+AL OD5.0mm COLOR BEIGE(IV-29#) L=3000±15mm
②	CONN	1	DB25P MALE SOLDER TYPE PIN G/F, BLUE INSULATION
①	CONN	1	DB 9P FEMALE SOLDER TYPE G/F, BLUE INSULATION

SPECIFICATION

CNC Tech, LLC

Industrial Cable and Connector Technology

DRAWN BY	ZHONGHS	DRAWING NO.	
CHECKED BY		CUSTOMER	
APPROVAL BY		ITEM NO.	700-10024-00300
DECIDE BY		DATE	2012-02-06
VERSIONS/EDITION	A/0	PROJECT	

4

3

2

1