



Excellent Integrated System Limited

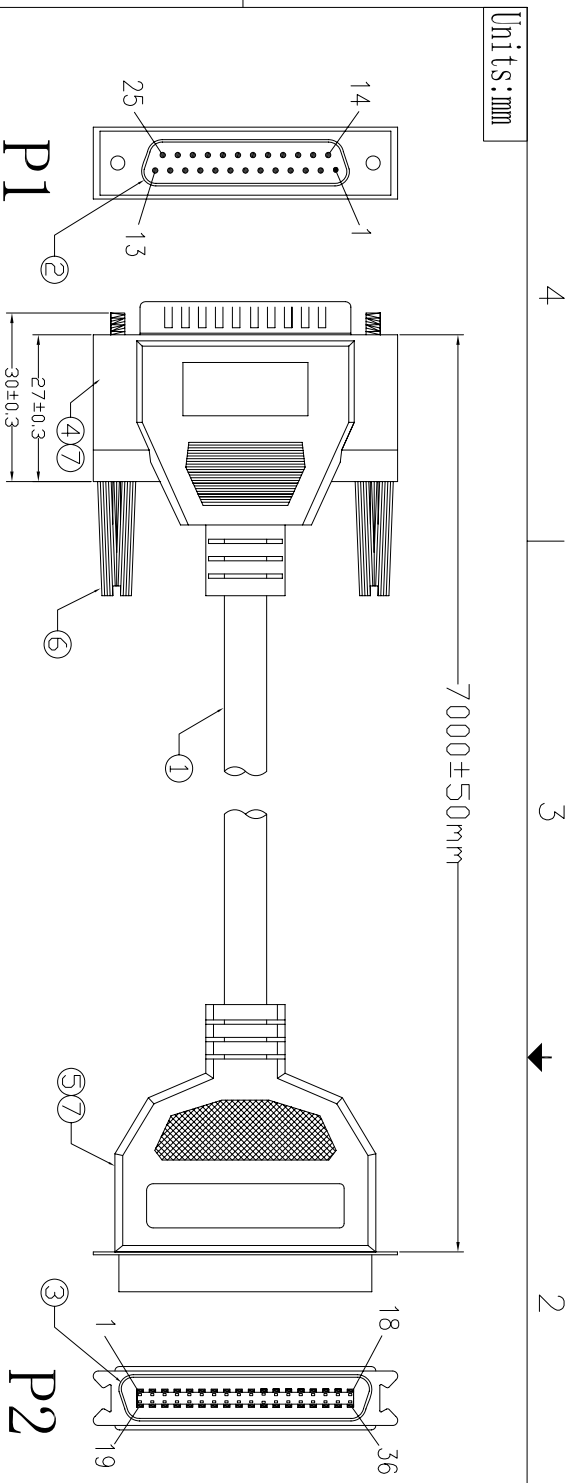
Stocking Distributor

Click to view price, real time Inventory, Delivery & Lifecycle Information:

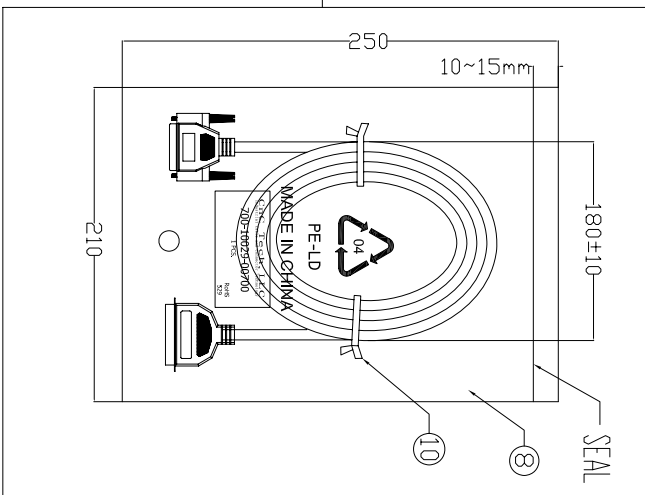
[CNC Tech](#)
[700-10029-00700](#)

For any questions, you can email us directly:

sales@integrated-circuit.com



Electronic Test:
 1. 100% Test,(Open,Short, Miss Wire)
 2. Contact Resistance: 5 ohm max.
 3. Insulation Resistance: 10M ohm min.
 4. Hi-Pot: 300V DC/10ms



⑩	TIE	2	WHITE L=180mm
⑨	PE BAG	1/5	CLEAR SIZE: 360*380*90, 0.5mm PRINT BLACK"MADE IN CHINA "+"SRCS"印生"周期,有透气孔.
⑧	PE BAG	1	CLEAR SIZE: 210*250*90, 0.5mm PRINT BLACK"MADE IN CHINA "+"IPC"印生"周期,有透气孔.
⑦	TUBE	2	HEAT SHRINK TUBE BLACK ODI:5*20MM
⑥	SCREW	2	#4-40UNC TYPE L=30mm,NICKEL PLATED,MOLD:BEIGE(V-29) ABS
⑤	IN JACKET	99	CLEAR LD-PE (Mould NO.:NM-62)
④	OUT JACKET	30g	BEIGE(V-29) 40P PVC(Mould NO.WM-145)
③	CONN	1	CN 36P MALE SODER TYPE PIN G/F SHELL NI-PLATED INSULATOR COLOR:BLUE
②	CONN	1	DB 25P MALE SODER TYPE PIN G/F SHELL NI-PLATED INSULATOR COLOR:BLUE
①	CABLE	1	NOUL 30#(7/0.10)*25G+D+A/L/MY OD:6.5mm JACKET BEIGE(V-29) L=7000±30MM

PIN ASSIGNMENT		
P1		P2
1	黑	1
2	棕	2
3	红	3
4	橙	4
5	黄	5
6	绿	6
7	蓝	7
8	紫	8
9	灰	9
10	白	10
11	粉红	11
12	浅绿	12
13	红/黑	13
14	橙/黑	14
15	黄/黑	15
16	绿/黑	16
17	蓝/黑	17
18	紫/黑	18
19	白/黑	19
20	红/白	20
21	橙/白	21
22	绿/白	22
23	蓝/白	23
24	紫/白	24
25	棕/白	25
SHELL		SHELL

CNC Tech, LLC
 Industrial Cable and Connector Technology

DRAWN BY	ZHONGHS	DRAWING NO.	
CHECKED BY		CUSTOMER	
APPROVAL BY		ITEM NO.	700-10029-00700
DECIDE BY		DATE	2012-02-06
VERSIONS/EDITION	A/0	PROJECTION	

4 3 2 1