

Excellent Integrated System Limited

Stocking Distributor

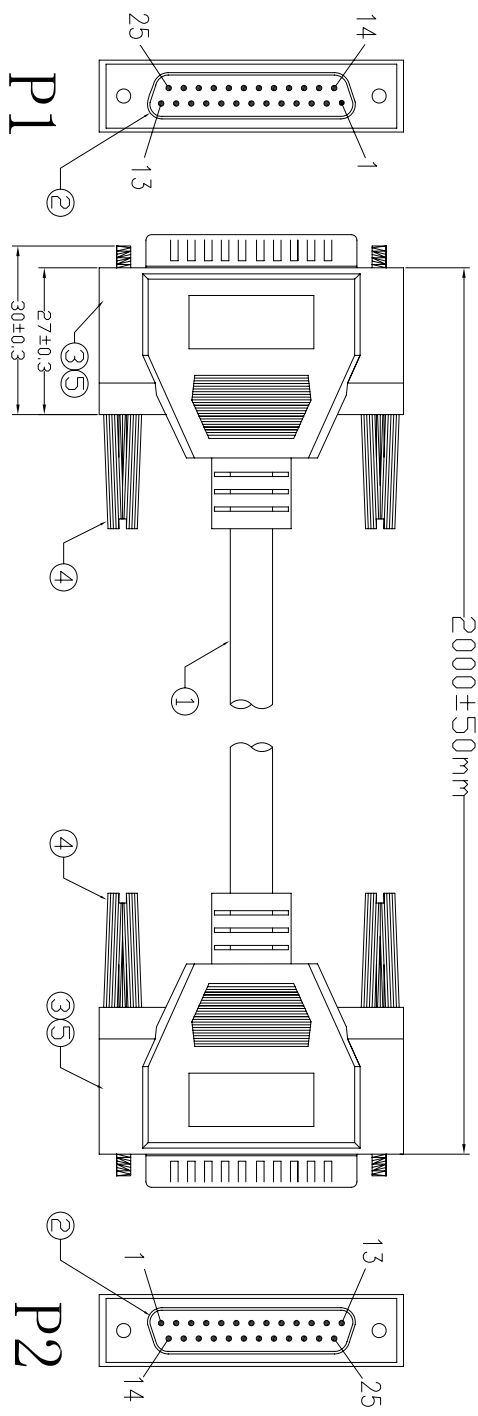
Click to view price, real time Inventory, Delivery & Lifecycle Information:

[CNC Tech](#)
[710-10017-00200](#)

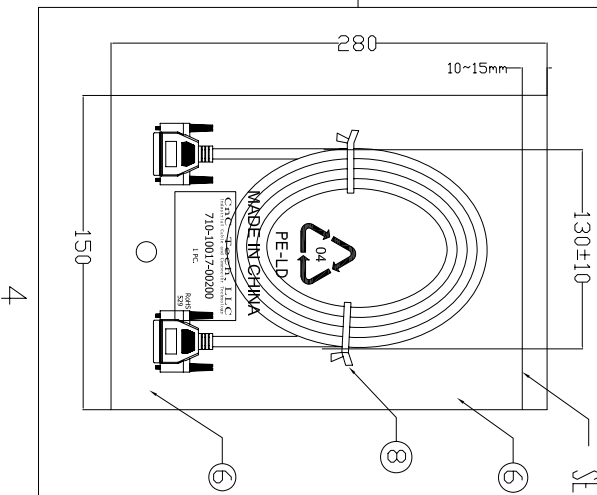
For any questions, you can email us directly:

sales@integrated-circuit.com

Units: mm



Electronic Test:
 1. 100% Test.(Open,Short,Miss Wire)
 2. Contact Resistance:5 ohm max.
 3. Insulation Resistance:10M ohm min.
 4. Hi-Pot:300V DC/10ms



⑧	TIE	2	WHITE L=80mm
⑦	PE BAG	1/10	CLEAR SIZE: 360*380*0.05mm PRINT BLACK"MADE IN CHINA "+"10RS"及印生产周期·有透气孔
⑥	PE BAG	1	CLEAR SIZE: 150*280*0.05mm PRINT BLACK"MADE IN CHINA "+"1PC"及印生产周期·有透气孔
⑤	TUBE	2	HEAT SHRINK TUBE BLACK OD1.5*20MM
④	SCREW	4	#4-40UNC TYPE L=30mm,NICKEL PLATED,MOLD:BEIGE(V-29) ABS
③	IN JACKET	18g	CLEAR LD-PE (Mould NO.:NM-33)
②	CONN	60g	BEIGE(V-29) 40P PVC(Mould NO.WM-071)
①	CABLE	1	DB 25P MALE SODER TYPE PIN G/F SHELL NI-PLATED INSULATOR COLOR:BLUE
			N0UL 28AWG*25C+D+AL/MY OD6.5mm JACKET BEIGE(V-29) L=2000±10MM

PIN ASSIGNMENT			
P1	P2		
1	BLACK	1	BLACK
2	BROWN	2	BROWN
3	RED	3	RED
4	ORANGE	4	ORANGE
5	YELLOW	5	YELLOW
6	GREEN	6	GREEN
7	BLUE	7	BLUE
8	PURPLE	8	PURPLE
9	GRAY	9	GRAY
10	WHITE	10	WHITE
11	PINK	11	PINK
12	LIGHT/GREEN	12	LIGHT/GREEN
13	RED/BLACK	13	RED/BLACK
14	ORANGE/BLACK	14	ORANGE/BLACK
15	YELLOW/BLACK	15	YELLOW/BLACK
16	GREEN/BLACK	16	GREEN/BLACK
17	BLUE/BLACK	17	BLUE/BLACK
18	PURPLE/BLACK	18	PURPLE/BLACK
19	WHITE/BLACK	19	WHITE/BLACK
20	RED/WHITE	20	RED/WHITE
21	ORANGE/WHITE	21	ORANGE/WHITE
22	GREEN/WHITE	22	GREEN/WHITE
23	BLUE/WHITE	23	BLUE/WHITE
24	PURPLE/WHITE	24	PURPLE/WHITE
25	BROWN/WHITE	25	BROWN/WHITE
	DRAIN		DRAIN
	SHELL		SHELL

CNC Tech, LLC
 Industrial Cable and Connector Technology

DRAWED BY	ZHONGHS	DRAWING NO.	
CHECKED BY		CUSTOMER	
APPROVAL BY		ITEM NO.	710-10017-00200
DECIDE BY		DATE	2012-02-06
VERSIONS/EDITION	A/0	PROJECTION	