



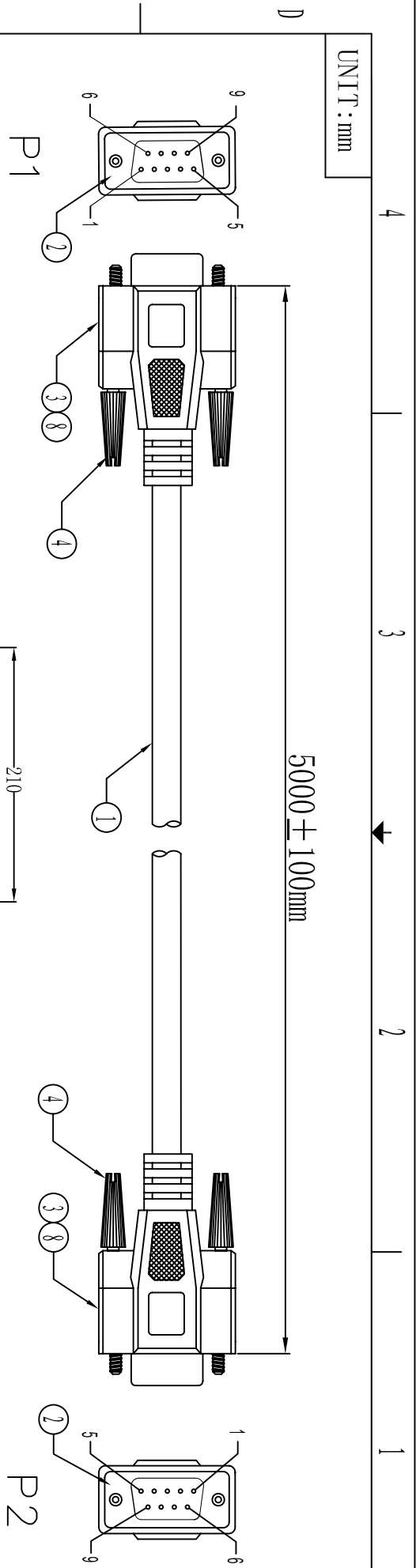
Excellent Integrated System Limited

Stocking Distributor

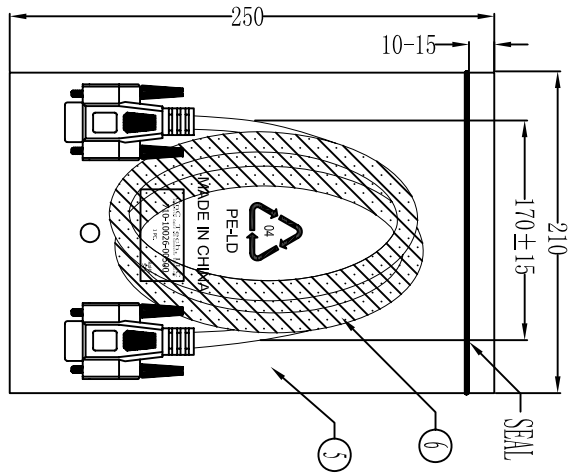
Click to view price, real time Inventory, Delivery & Lifecycle Information:

[CNC Tech](#)
[710-10026-00500](#)

For any questions, you can email us directly:
sales@integrated-circuit.com




Electronic Test:
 1. 100% Test,(Open,Short,Miss Wire)
 2. Contact Resistance:2 ohm max.
 3. Insulation Resistance:5M ohm min.
 4. Hi-Pot:100V DC/10ms



PIN ASSIGNMENT	
P1	P2
1	1
2	2
3	3
4	4
5	5
6	6
7	7
8	8
9	9
SHELL	SHELL

③	TUBE	2	HEAT SHRINK TUBE BLACK OD1.5*1.15MM
⑦	PE BAG	1/5	CLEAR SIZE:330*380*0.05mm PRINT BLACK"MADE IN CHINA"+"SPCS" 及出货时间, 有透气孔.
⑥	PE FILM	1	PE FILM CLEAR W35*1.3000mm.
⑤	PE BAG	1	CLEAR SIZE:210*280*0.05mm PRINT BLACK"MADE IN CHINA" 及出货时间, 有透气孔.
④	SCREW	4	SCREW:#4-40UNC L47mm,NICKEL PLATED,INSULATION COLOR BEIGE(V-29)
③	OUT JACKET	43.5g	BEIGE(V-29) 40P PVC(MOULD NO:WM-113)
②	IN JACKET	8g	CLEAR LDPE(MOULD NO:NM-049)
①	CABLE	1	DB 9PIN FEMALE PIN G/F SHELL-NICKEL SOLDER TYPE INSULATION COLOR BLUE NOUL 30AMG(7/0.10)*9C+D+W+AL/MY+JACKET COROL:BEIGE(V-29) OD:5.0mm. L5000±20mm.

CNC Tech, LLC			
Industrial Cable and Connector Technology			
DRAWN BY	ZHONGHS	DRAWING NO.	
CHECKED BY		CUSTOMER	
APPROVAL BY		ITEM NO.	710-10026-00500
DECIDE BY		DATE	2012-02-06
VERSIONS/EDITION	A/0	PROJECTION	

4 3 2 1