



Excellent Integrated System Limited

Stocking Distributor

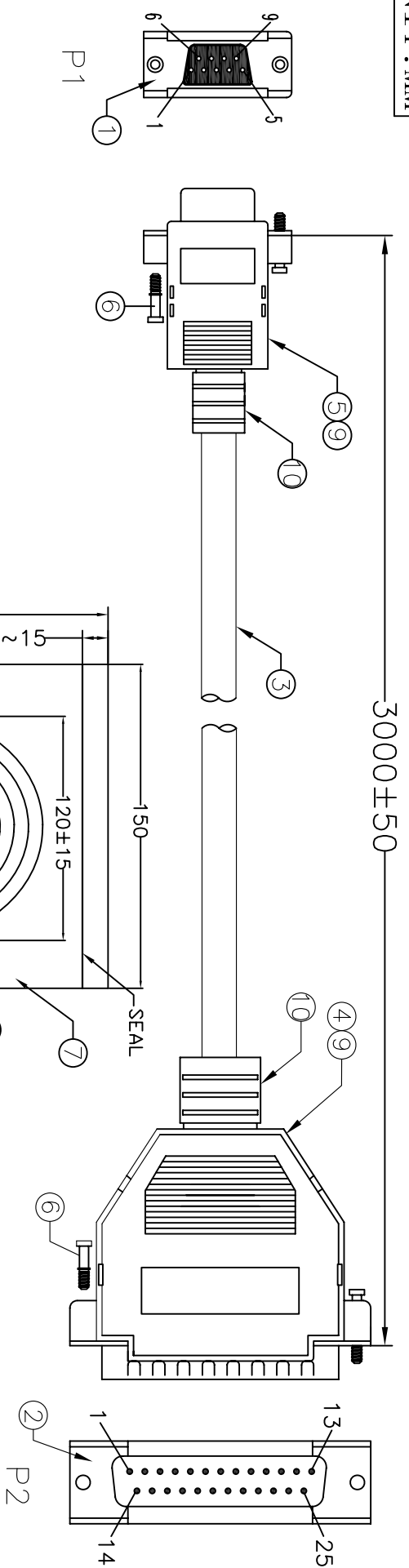
Click to view price, real time Inventory, Delivery & Lifecycle Information:

[CNC Tech](#)
[720-10023-00300](#)

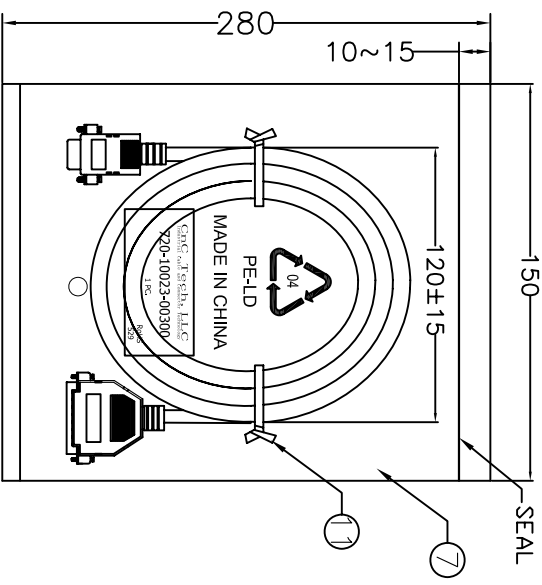
For any questions, you can email us directly:

sales@integrated-circuit.com

UNIT : MM



Electronic Test:
 1.100% Test,(Open,Short,Miss Wire)
 2.Contact Resistance:2 ohm max.
 3.Insulation Resistance:5M ohm min.
 4.Hi-Pot:300V DC.



P1	P2	
1	BLACK	8
2	GREY	2
3	YELLOW	3
4	PURPLE	6
5	ORANGE	7
6	RED	20
7	BROWN	5
8	GREEN	4
9	BLUE	4
SHELL	DRAIN	22
SHELL	SHELL	

NO	NAME	QTY	SPECIFICATION
①	TIE	2	WHITE L=100mm
②	S/R	5.5g	BEIGE(IV-29#) 45P PVC (MOULD NO.SR-50/SR-51)
③	TUBE	50mm	HEAT SHRINK TUBE BLACK OD1.5mm,L1=20mm,L2=30mm
④	PE BAG	1/10	CLEAR SIZE: 360*380*0.05mm PRINT BLACK*MADE IN CHINA*+10PCS*
⑤	PE BAG	1	CLEAR SIZE: 150*280*0.05mm PRINT BLACK*MADE IN CHINA*+1PC*
⑥	SCREW	4	SCREW #4-40UNC L=12.5mm,NICKEL PLATED
⑦	DKN	1	DB9P DKN W/O NUT BEIGE
⑧	DKN	1	DB25P DKN W/O NUT BEIGE
⑨	CABLE	1	NOUL 28AWG*9C+D+AL OD5.0mm COLOR BEIGE(IV-29#) L=3000±15mm
⑩	CONN	1	DB25P MALE SOLDER TYPE PIN G/F, BLUE INSULATION
⑪	CONN	1	DB 9P FEMALE SOLDER TYPE G/F, BLUE INSULATION

CNC Tech, LLC
 Industrial Cable and Connector Technology

DRAWN BY	ZHONGHS	DRAWING NO.	
CHECKED BY		CUSTOMER	
APPROVAL BY		ITEM NO.	720-10023-00300
DECIDE BY		DATE	2012-02-06
VERSIONS/EDITION	A/0	PROJECT	