



**Distributor of Amphenol Commercial Products: Excellent Integrated System Limited**  
Datasheet of L77DE09SST - D-Sub Connector Receptacle, Female Sockets 9 Position Free  
Hanging (In-Line) Screw

Contact us: [sales@integrated-circuit.com](mailto:sales@integrated-circuit.com) Website: [www.integrated-circuit.com](http://www.integrated-circuit.com)

---

## **Excellent Integrated System Limited**

Stocking Distributor

Click to view price, real time Inventory, Delivery & Lifecycle Information:

[Amphenol Commercial Products](#)  
[L77DE09SST](#)

For any questions, you can email us directly:

[sales@integrated-circuit.com](mailto:sales@integrated-circuit.com)

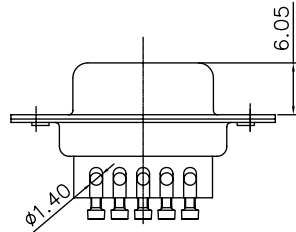
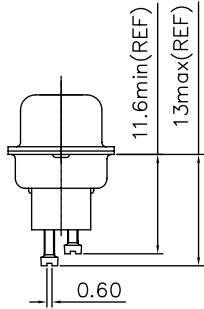
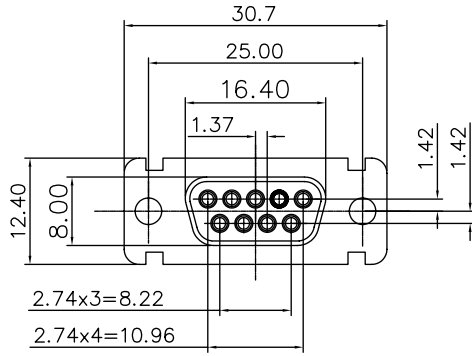
Contact us: [sales@integrated-circuit.com](mailto:sales@integrated-circuit.com) Website: [www.integrated-circuit.com](http://www.integrated-circuit.com)

This document is the property of Amphenol Corporation and is delivered in the express condition that it is not to be disclosed, reproduced or used, in whole or in part, for manufacture or sale by anyone other than Amphenol Corporation without its prior consent. All rights are granted to disclose or to use any information in this document.

REVISIONS		
REV	DESCRIPTION	DATE
A1		06/12/07

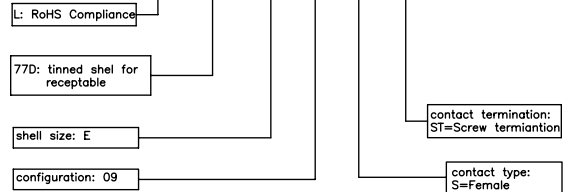
**D-SUB TECHNICAL DATA**

SHELL :Steel 2.5um (100u") min tin over 1.25um (50u") min nickel  
 BODY : Glass filled thermoplastic.  
 Flame retardant to UL94 V-0 Color Black  
 CONTACTS : brass.  
 0.1um(4u") min gold over 1.25um (50u") min nickel  
 SCREWLOCK : brass. 6um up to 10um tinned over nickel 2um up to 3um  
 ELECTRICAL : Voltage rating : 300 V RMS at 50 Hz  
 withstanding volatage : 1000V RMS at 50Hz  
 Current rating: 7.5A.  
 Insulation resistance >5000 M Ohms  
 Contact resistance 20 mOhms max.  
 CLIMATIC : Temperature range -55 °C up to 85°C ,peak at 125°C  
 MARKING : Amphenol...(Series No.)  
 Commercial reference  
 Manufacturing date



**PRODUCT CODE**

**L 77D E 09 S ST**



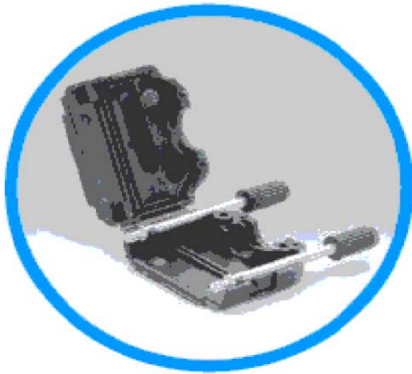
UNLESS OTHERWISE SPECIFIED		APPROVAL	DATE
<b>TOLERANCES</b>		<b>DRAWN</b> [Signature]	06/12/07
U.S.	METRIC	<b>CHECKED</b> [Signature]	06/12/07
X +/-	0.50		
XX +/-	0.30		
XXX +/-	0.20		
FRACTIONS			
ANGLES +/-	2'		
<b>FOR MATERIALS AND FINISHES</b>		<b>DRAWING FILE :</b>	
<b>SEE NOTES</b>			
<b>REMOVE SHARP EDGES</b>		<b>ANGLE OF PROJECTION</b>	
<b>DIMENSIONS</b>			
U.S.	INCHES		
METRIC	MM		

Amphenol		
TITLE machined contact, D-ST series		
SIZE	DRAWING NO.	REV.
A4	C L77DE09SST	A
SCALE	NONE	SHEET 1 OF 1

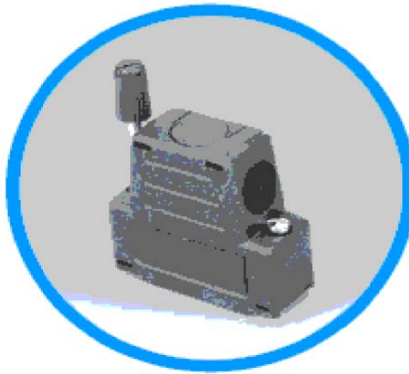
Contact us: [sales@integrated-circuit.com](mailto:sales@integrated-circuit.com) Website: [www.integrated-circuit.com](http://www.integrated-circuit.com)

This document is the property of Amphenol Corporation and is delivered on the express condition that it is not to be disclosed, reproduced or used, in whole or in part, for manufacture or sale by anyone other than Amphenol Corporation without its prior consent. All the rights are granted to disclose or to use any information in this document.

**Plastic hoods**

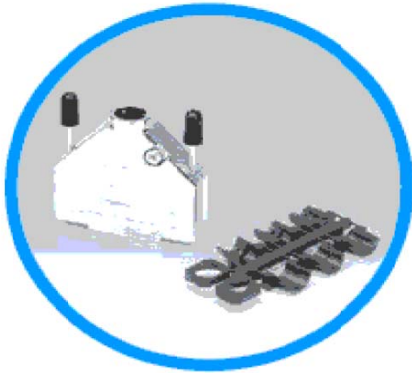


DPPK Straight cable entry

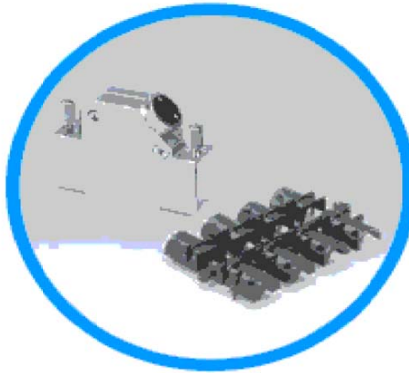


DSSK Angled cable entry

**Metallic hoods**



DTZK Straight cable entry



DVZK Angled cable entry

Kit connector+hood option:  
(See following description)

X X ST X X

- 1=DPPK
- 2=DSSK
- 3=DTZK
- 4=DVZK
- Blank: standard type

REVISIONS			
NO.	DESCRIPTION	DATE	APPROVED

APPROVAL	DATE	Amphenol
DRAWN: <i>THYR:slg</i>	4/19/07	
CHECKED: <i>SL: Wong</i>	4/19/07	
CHECKED		
DRAWING FILE :		TITLE
		Stamped and Formed connector, SD series
ANGLE OF PROJECTION		SIZE: DRAWING NO.
		A4 C STXX
		SCALE: NONE
		SHEET 1 OF 1