

Excellent Integrated System Limited

Stocking Distributor

Click to view price, real time Inventory, Delivery & Lifecycle Information:

[KEMET](#)

[PHE450SD5330JR06L2](#)

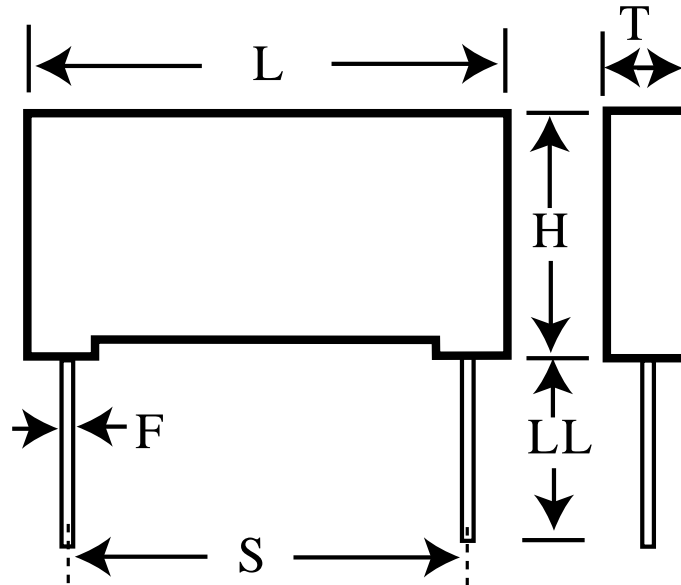
For any questions, you can email us directly:

sales@integrated-circuit.com

PHE450SD5330JR06L2

aka F450DF333J2K0C

Capacitor, film, 0.033 uF, +/-5% Tol, -55/+105C, General Purpose, 2000V@85C, Lead Spacing=22.5 mm



Dimensions (mm)

Specifications

ID	Dimension	Tolerance	Manufacturer:	KEMET
L	26	max	Brand:	Rifa
H	16.5	max	Capacitance:	0.033 uF
T	7	max	Temperature Range:	-55/+105C
S	22.5	+/-0.4	Rated Temperature:	85C
LL	6	nom	Voltage @ rated temp:	2000V
F	0.8	nom	Voltage AC:	700VAC
			Tolerance:	+/-5%
			Body Type:	Radial Box
			Construction:	Double Metallized
			Application:	General Purpose
			Sub Application:	Pulse
			Dissipation Factor @ 1 kHz:	0.03%
			Dissipation Factor @ 10 kHz:	0.04%
			Dissipation Factor @ 100kHz:	0.15%
			Insulation Resistance:	100 GOhm
			Inductance:	6 nH
			Maximum dVdT:	1800v/us
			Miscellaneous Electrical:	IEC 60384-17, Gr. 1.1; Rthha [85C/2.m/s] = 55 C/W series(PHE450)
			Package Kind:	Bulk
			Package Type:	Tray
			Package Quantity:	216