



Distributor of CNC Tech: Excellent Integrated System Limited

Datasheet of 1003-005-23100 - Connector Receptacle USB - micro AB 3.0, Super Speed 10
Position Surface Mount, Right Angle, Horizontal

Contact us: sales@integrated-circuit.com Website: www.integrated-circuit.com

Excellent Integrated System Limited

Stocking Distributor

Click to view price, real time Inventory, Delivery & Lifecycle Information:

[CNC Tech](#)

[1003-005-23100](#)

For any questions, you can email us directly:

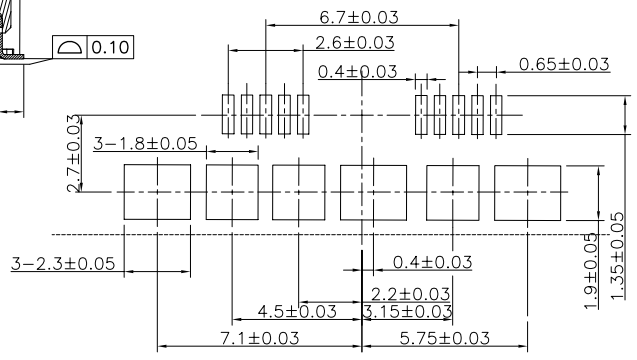
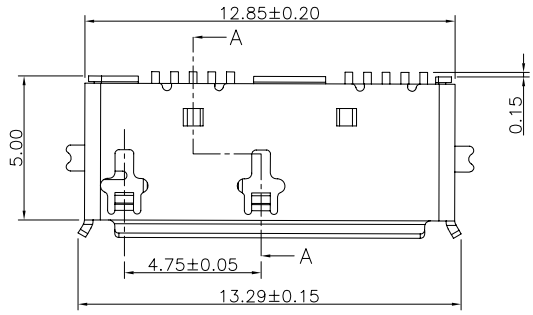
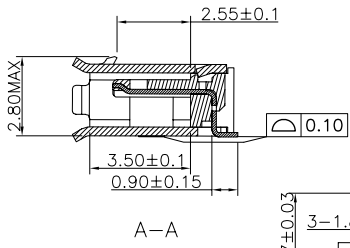
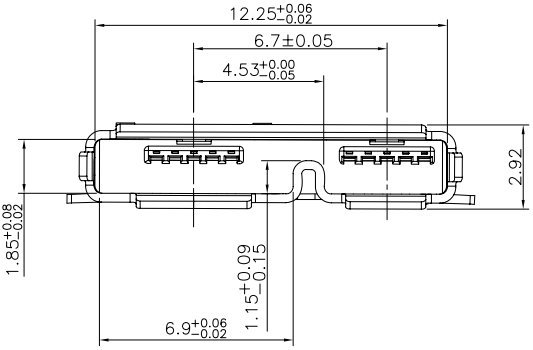
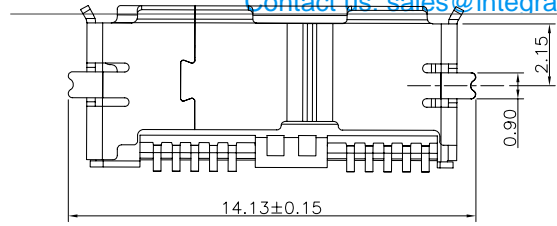
sales@integrated-circuit.com

Contact us: sales@integrated-circuit.com Website: www.integrated-circuit.com

REV	ECN.NO:	B Y	DATE
A0	NEW DWG	ING	10/06/02

Pin Number	Signal Name
1	VBUS
2	D-
3	D+
4	ID
5	GND
6	MicB_SSTX-
7	MicB_SSTX+
8	GND_DRAIN
9	MicB_SSRX-
10	MicB_SSRX+
Shell	Shield

NOTES:
INSULATOR:LCP.COLOR-BLACK
USB CONTACT:BRASS 0.15MM THICKNESS,SELECTIVE GOLD
PLATED ON CONTACT AREA, GOLD FLASH PLATED
ON SOLDER TAIL,
80U" MIN NICKEL UNDERPLATED OVERALL,
SHELL:0.3MM THICKNESS ,FLASH
PLATED ON THE SOLDERING TAB.



-TOLERANCES- UNLESS OTHERWISE SPECIFIED		CnC Tech . LLC				
X.X	±0.25	X.X'	±3.00'	TITLE: MICRO USB 3.0-AB SMT PRODUCT NO: 1003-005-23100 DATE SCALE UNIT TYPE PAGE 2010.06.02 FREE MM Z 1		
X.XX	±0.20	X.XX'	±1.00'			
X.XXX	±0.10	X.XXX'	±0.05'			