

Excellent Integrated System Limited

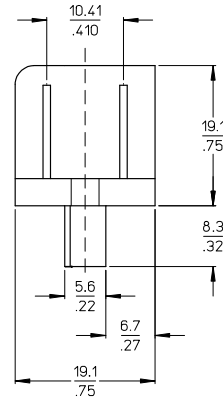
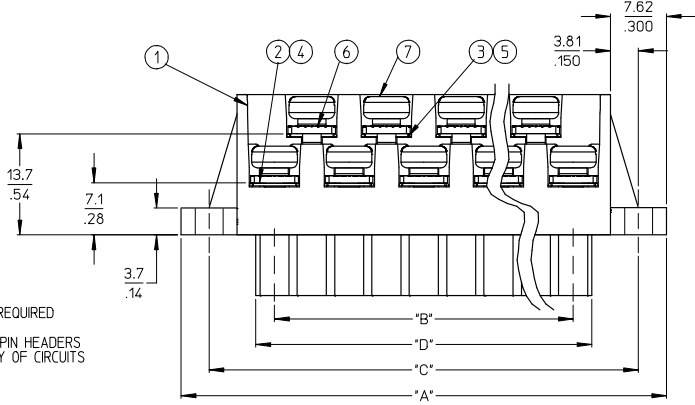
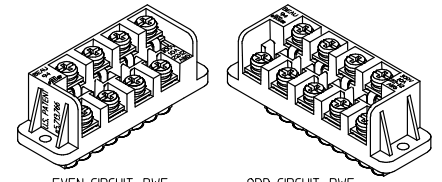
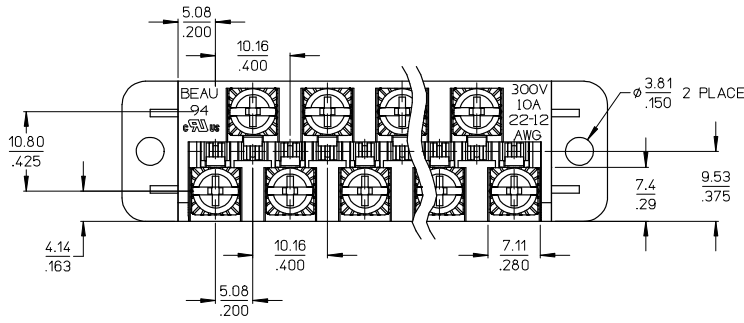
Stocking Distributor

Click to view price, real time Inventory, Delivery & Lifecycle Information:

[Molex Connector Corporation](#)
[0399400603](#)

For any questions, you can email us directly:

sales@integrated-circuit.com



NOTES:

1. MATERIAL: SEE TABLE
2. FINISHES: SEE TABLE
3. PRODUCT SPECIFICATION: NOT REQUIRED
4. PACKAGING: NOT REQUIRED
5. MATES WITH MOST 5.08 (200) PIN HEADERS
6. 'XX' REFERS TO THE QUANTITY OF CIRCUITS
7. ROHS COMPLIANT

ODD CIRCUIT CONFIGURATION SHOWN

ITEM	QTY. (EVEN NO. OF CIRCUITS)	QTY. (ODD NO. OF CIRCUITS)	DESCRIPTION	MATERIAL	FINISH
7	XX	XX	SCREW, M3.5 X .280	STEEL	ZINC CHROMATE
6	XX	XX	NUT, M3.5, HEX	STEEL	ZINC CHROMATE
5	XX/2	0XX-1/2	REAR ROW TERMINAL (-G30 OPT.)	PHOS. BRONZE	SELECTIVE GOLD
4	XX/2	0XX-1/2	FRONT ROW TERMINAL (-G30 OPT.)	PHOS. BRONZE	SELECTIVE GOLD
3	XX/2	0XX-1/2	REAR ROW TERMINAL	PHOS. BRONZE	HOT TIN DIP
2	XX/2	0XX-1/2	FRONT ROW TERMINAL	PHOS. BRONZE	HOT TIN DIP
1	1	1	BARRIER	THERMOPLASTIC	BLACK

REV	DESCRIPTION	QUALITY SYMBOLS	GENERAL TOLERANCES (UNLESS SPECIFIED)	DIMENSION STYLE	SCALE	DESIGN UNITS	THIRD ANGLE PROJECTION
7	REVISIONS & REDRAWN	▽=0	4 PLACES ± .005 ± .005	MM/IN	2:1	INCH	THIRD ANGLE PROJECTION
6	EC NO: WNA2008-0391	▽=0	3 PLACES ± .005 ± .005				
5	EC NO: WNA2008-0391		2 PLACES ± 0.13 ± .01				
4	CHYK:CYRK		1 PLACE ± 0.3 ± .---				
3	APPR: JIMKNEIL		ANGULAR ± 2 °				
2	REVISED & REDRAWN						
1	EC NO: WNA2008-0391						

DRAFT WHERE APPLICABLE MUST REMAIN WITHIN DIMENSIONS

SEE SHEET 2

THIS DRAWING CONTAINS INFORMATION THAT IS PROPRIETARY TO MOLEX INCORPORATED AND SHOULD NOT BE USED WITHOUT WRITTEN PERMISSION

TITLE: 5.08/.200 PLUG ASSY, RWE WITH BULKHEAD PANEL MTG. ENDS (9478XX)

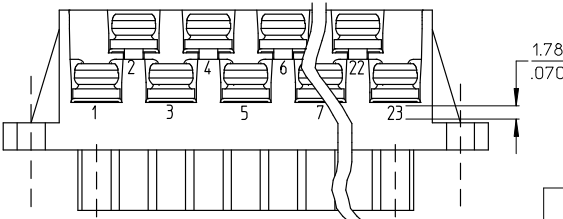
MATERIAL NO. SD-39940-001

DOCUMENT NO. SD-39940-001

SHEET NO. 1 OF 2

10 9 8 7 6 5 4 3 2 39940

MATERIAL NO.	MATERIAL NO. (-10A OPT.)	MATERIAL NO. (-G30 OPT.)	MATERIAL NO. (-G30,-10A OPT.)	NO. OF CIRC. *XX*	*A*	*B*	*C*	*D* ^{+0.00} / _{-0.25} [^{+0.000} / _{-0.010}]
399400603	399401603			03	35.6 [1.40]	10.2 [4.0]	27.9 [1.10]	15.2 [6.0]
399400604	399401604			04	40.6 [1.60]	15.2 [6.0]	33.0 [1.30]	20.3 [8.0]
399400605	399401605			05	45.7 [1.80]	20.3 [8.0]	38.1 [1.50]	25.4 [1.00]
399400606	399401606			06	50.8 [2.00]	25.4 [1.00]	43.2 [1.70]	30.5 [1.20]
399400607	399401607			07	55.9 [2.20]	30.5 [1.20]	48.3 [1.90]	35.6 [1.40]
399400608	399401608		399490018	08	61.0 [2.40]	35.6 [1.40]	53.3 [2.10]	40.6 [1.60]
399400609	399401609			09	66.0 [2.60]	40.6 [1.60]	58.4 [2.30]	45.7 [1.80]
399400610	399401610			10	71.1 [2.80]	45.7 [1.80]	63.5 [2.50]	50.8 [2.00]
399400611	399401611			11	76.2 [3.00]	50.8 [2.00]	68.6 [2.70]	55.9 [2.20]
399400612	399401612			12	81.3 [3.20]	55.9 [2.20]	73.7 [2.90]	61.0 [2.40]
399400613	399401613			13	86.4 [3.40]	61.0 [2.40]	78.7 [3.10]	66.0 [2.60]
399400614	399401614			14	91.4 [3.60]	66.0 [2.60]	83.8 [3.30]	71.1 [2.80]
399400615	399401615			15	96.5 [3.80]	71.1 [2.80]	88.9 [3.50]	76.2 [3.00]
399400616	399401616			16	101.6 [4.00]	76.2 [3.00]	94.0 [3.70]	81.3 [3.20]
399400617	399401617			17	106.7 [4.20]	81.3 [3.20]	99.1 [3.90]	86.4 [3.40]
399400618	399401618			18	111.8 [4.40]	86.4 [3.40]	104.1 [4.10]	91.4 [3.60]
399400619	399401619			19	116.8 [4.60]	91.4 [3.60]	109.2 [4.30]	96.5 [3.80]
399400620	399401620			20	121.9 [4.80]	96.5 [3.80]	114.3 [4.50]	101.6 [4.00]
399400621	399401621			21	127.0 [5.00]	101.6 [4.00]	119.4 [4.70]	106.7 [4.20]
399400622	399401622			22	132.1 [5.20]	106.7 [4.20]	124.5 [4.90]	111.8 [4.40]
399400623	399401623			23	137.2 [5.40]	111.8 [4.40]	129.5 [5.10]	116.8 [4.60]
399400624	399401624			24	142.2 [5.60]	116.8 [4.60]	134.6 [5.30]	121.9 [4.80]



OPTIONAL
10A IMPRINTING
(ODD CIRCUIT CONFIGURATION SHOWN)

SEE SHEET ONE EC NO: WNA2008-0391 DRAWN: JENCINAS 2008/07/07 CHKD: TORK 2008/07/02 APPR: JMACNEIL 2008/07/07	QUALITY SYMBOLS ▽=0 ▽=0	GENERAL TOLERANCES (UNLESS SPECIFIED)		DIMENSION STYLE MM/IN		SCALE 2:1	DESIGN UNITS INCH	THIRD ANGLE PROJECTION
		4 PLACES ± --- ± ---	3 PLACES ± --- ± .005	2 PLACES ± 0.13 ± .01	1 PLACE ± 0.3 ± ---	ANGULAR ± 2 °	DRAWN BY R. KEMP 2003/03/07	DATE 2003/03/07
D	DESCRIPTION	DRAFT WHERE APPLICABLE MUST REMAIN WITHIN DIMENSIONS		MATERIAL NO. SEE CHART		APPROVED BY P. WALTZ 2003/03/10		DATE 2003/03/10
				SIZE B		DOCUMENT NO. SD-39940-001		SHEET NO. 2 OF 2
THIS DRAWING CONTAINS INFORMATION THAT IS PROPRIETARY TO MOLEX INCORPORATED AND SHOULD NOT BE USED WITHOUT WRITTEN PERMISSION								

9 8 7 6 5 4 3 2 1