

Excellent Integrated System Limited

Stocking Distributor

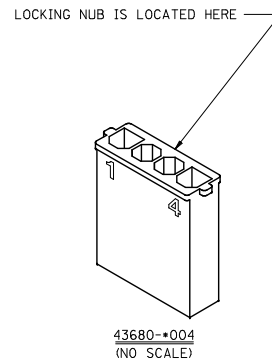
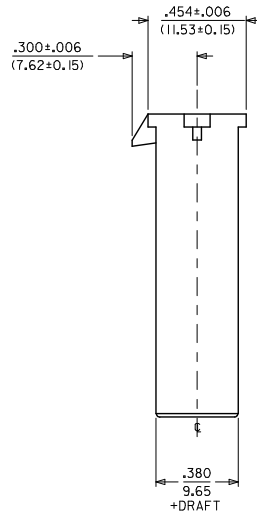
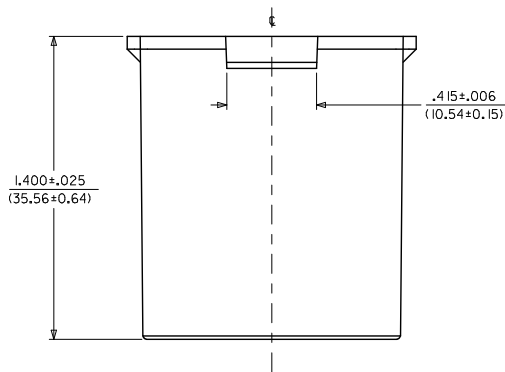
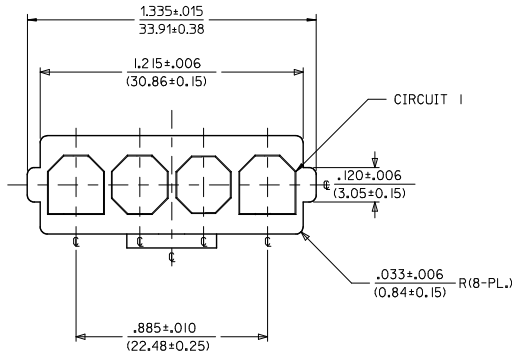
Click to view price, real time Inventory, Delivery & Lifecycle Information:

[Molex Connector Corporation](#)
[0436801004](#)

For any questions, you can email us directly:

sales@integrated-circuit.com

ITEM NUMBER	MATERIAL	COLOR
43680-1004	UL94V-2 NYLON	NATURAL (TRANSLUCENT)
43680-2004	UL94V-0 NYLON	BLACK
43680-3004	UL94V-2 NYLON IEC 60335-1 GLOW WIRE CAPABLE	BLACK



NOTE:

1. MATERIAL: SEE CHART.
2. FINISH: NONE.
3. PRODUCT SPECIFICATION: PS-4444-9999.
4. PACKAGING: PK-43680-001.
5. THIS CONNECTOR HOUSING FOR USE WITH 43178-**** TERMINALS.
6. THIS CONNECTOR HOUSING WILL MATE TO 43335-****4, 43179-****4 AND 44441-****4 HOUSINGS.
7. PARTS CONFORM TO CLASS B REQUIREMENTS OF COSMETIC SPEC PS-45499-002.
- SOME PARTS MAY HAVE A BLEMISH NEAR THE GATE THAT DOES NOT AFFECT FUNCTIONALITY.

GATE BLEMISH	QUALITY SYMBOLS	GENERAL TOLERANCES (UNLESS SPECIFIED)		DIMENSION STYLE		SCALE	DESIGN UNITS	THIRD ANGLE PROJECTION	
		mm	INCH	IN/MM	DATE	4:1	INCH	INCH	
4 PLACES ± ---	▽=0	± ---	± ---	CM	03/22/96	TITLE	4-CIR. PLUG HOUSING .125/(3.18)X.020/(0.51) SABRE - TPA molex		
3 PLACES ± ---	▽=0	± .010	± .010	CHECKED BY	DATE				
2 PLACES ± 0.25	▽=0	± .014	± .014	APPROVED BY	DATE				
1 PLACE ± 0.35	▽=0	± ---	± ---	FSMITH	2015/01/09				
0 PLACE ± ---	▽=0	± ---	± ---	MATERIAL NO.		DOCUMENT NO.	SHEET NO.		
DRAFT WHERE APPLICABLE MUST REMAIN WITHIN DIMENSIONS		ANGULAR ±1/2°		SEE CHART		SD-43680-*004		1 OF 1	
THIS DRAWING CONTAINS INFORMATION THAT IS PROPRIETARY TO MOLEX INCORPORATED AND SHOULD NOT BE USED WITHOUT WRITTEN PERMISSION									