

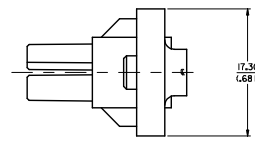
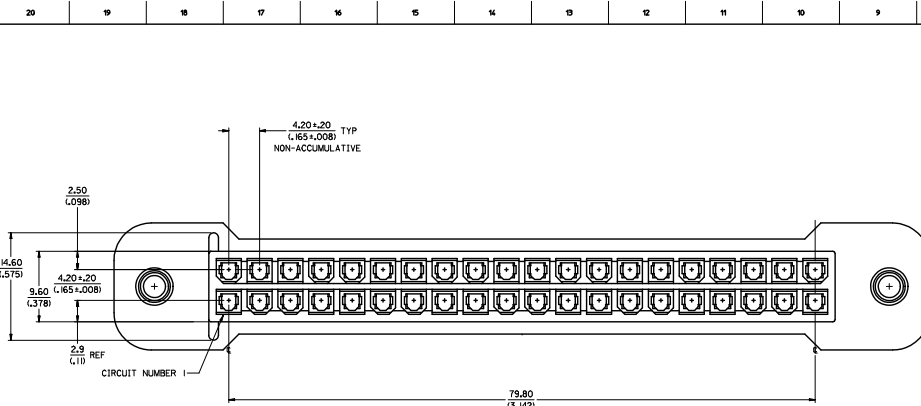
## Excellent Integrated System Limited

Stocking Distributor

Click to view price, real time Inventory, Delivery & Lifecycle Information:

[Molex Connector Corporation](#)  
[0439740005](#)

For any questions, you can email us directly:  
[sales@integrated-circuit.com](mailto:sales@integrated-circuit.com)



- NOTES:**
1. MATERIAL:  
NYLON 46, GLASS-FILLED, UL94V-0,  
COLOR - BLACK
  2. FINISH NONE
  3. PRODUCT SPECIFICATION: PS-43759-0001
  4. PART IS FOR USE WITH 5556, 44476 AND 45750 SERIES TERMINALS.
  5. THIS CONNECTOR ALLOWS FOR .050/(L27) MAX. MISALIGNMENT IN ANY DIRECTION.
  6. A MAXIMUM TOLERANCE OF .050/(L27) ALLOWS FOR 2 POINTS OF ELECTRICAL CONTACT, A MAXIMUM TOLERANCE OF .000/(L50) ALLOWS FOR 4 POINTS OF CONTACT.
  7. PART MATES WITH MINI-FIT B.M.I. HEADER #43913.
  8. CONNECTOR ASSEMBLIES ARE NOT TO BE MATED OR UNMATED WHILE CIRCUITS ARE LIVE.
  9. PANEL OPENING EDGES MUST BE FREE OF BURRS
  10. PART BOW SPECIFICATION MEASURED AT DATUM [-A-] = .15/(L006) PER INCH MAXIMUM, BOW DIRECTION DEFINED BY FIGURE 1.
  11. MAXIMUM TORQUE FOR SELF TAPPING SCREW IS NOT TO EXCEED 12.0 INVLBS.  
- IT IS IMPORTANT TO NOTE THAT WHERE OFF AXIS THREADING HAS OCCURRED, THE RECOMMENDED MAXIMUM TORQUE MAY PREVENT THE RECEPTACLE FROM ACHIEVING THE NECESSARY AMOUNT OF FREEDOM. IN THESE INSTANCES, THE AMOUNT OF FORCE REQUIRED TO FLOAT THE RECEPTACLE WITHIN ITS RESPECTIVE PANEL OPENING SHALL NOT EXCEED A MAXIMUM OF 10 LBS. A MOUNTING TORQUE LESS THAN THE RECOMMENDED MAXIMUM MAY BE NEEDED.
  12. IT IS THE RESPONSIBILITY OF THE CUSTOMER TO ENSURE THAT THE PANEL TO WHICH THE RECEPTACLE IS TO BE MOUNTED, IS SUFFICIENTLY SUPPORTED SO THAT FLEXING OF THE PANEL DURING MATING DOES NOT PREVENT THE CONNECTOR SYSTEM FROM BEING FULLY MATED.
  13. IT IS RECOMMENDED THAT THE CABLES EXITING THE RECEPTACLE BE DRESSED IN A MANNER THAT WILL ALLOW THE RECEPTACLE TO FLOAT FREELY WHEN MOUNTED IN IT'S RESPECTIVE PANEL.

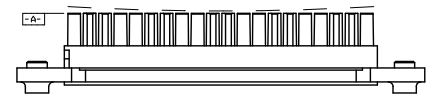
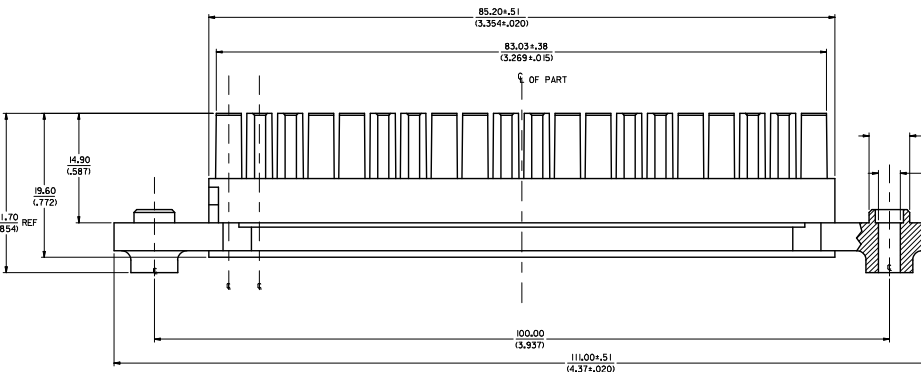
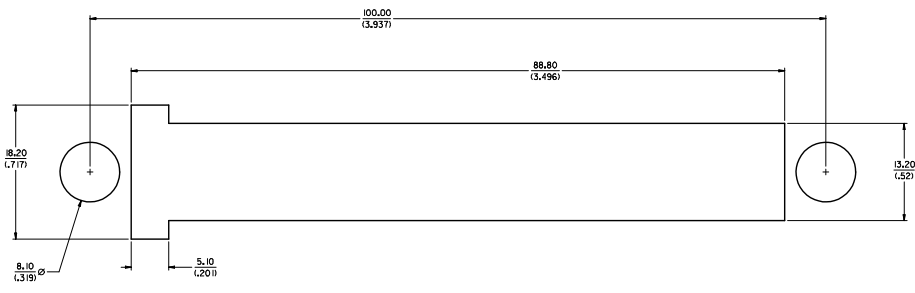


FIGURE 1

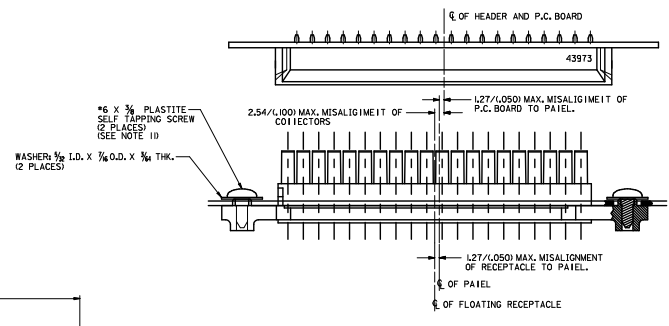
<p>MIGRATE FROM METRO ECON. UEP2016-3382 2016/02/26 DRAWN BY BANDURA CHECKED BY CHODURELL 2016/02/26 APPROVED BY [Signature] 2016/02/02 REV. 1</p>	<p>QUALITY SYMBOLS</p> <p>∇=0 4 PLACES ± --- ± ---</p> <p>∇=0 3 PLACES ± --- ± .075</p> <p>∇=0 2 PLACES ± 0.38 ± ---</p> <p>∇=0 1 PLACE ± --- ± ---</p> <p>∇=0 0 PLACE ± --- ± ---</p>	<p>GENERAL TOLERANCES (UNLESS SPECIFIED)</p> <p>mm INCH</p> <p>± .075</p> <p>± 0.38</p> <p>± ---</p> <p>± ---</p>	<p>DIMENSION STYLE</p> <p>MM/IN</p> <p>SCALE 4:1</p> <p>DESIGN UNITS METRIC</p> <p>THIRD ANGLE PROJECTION</p>	<p>DRAWN BY BANDURA 2001/03/18</p> <p>CHECKED BY BANDURA 2001/03/20</p> <p>APPROVED BY FSMITH 2016/03/02</p>	<p>TITLE</p> <p>PANEL MOUNT RECEPTACLE 40 CIRCUIT BLIND MATE MINI-FIT SERIES</p>	<p>MATERIAL NO. 439740005</p> <p>DOCUMENT NO. SD-43974-005</p>	<p>SHEET NO. 1 OF 2</p>
	<p>ANGULAR ±1/2°</p>						
	<p>DRAFT WHERE APPLICABLE MUST REMAIN WITHIN DIMENSIONS</p>						
	<p>SIZE D THIS DRAWING CONTAINS INFORMATION THAT IS PROPRIETARY TO MOLEX INCORPORATED AND SHOULD NOT BE USED WITHOUT WRITTEN PERMISSION</p>						

20 19 18 17 16 15 14 13 12 11 10 9 8 7 6 5 4 3 2 1

M L K J I H G F E D C B A



RECOMMENDED PANEL CUT-OUT FOR 1.27\*0.30/(0.50\*0.2) THICK PANEL  
(SEE NOTE 9)



ALIGNMENT TOLERANCES FOR 1.27/(0.50) MAX. BOARD-TO-PANEL MISALIGNMENT  
(± 1.27/(0.50) RECEPTACLE FLOAT)

SEE SHEET 1 EC NO. 043974-3382 DRAWN BY: BANDURA 2016/07/26 CHECKED BY: BANDURA 2016/07/26 APPROVED BY: FSMITH 2016/07/26 A4	QUALITY SYMBOLS	GENERAL TOLERANCES (UNLESS SPECIFIED)	DRAGON STYLE	SCALE	DESIGN UNITS	THIRD ANGLE PROJECTION
	∇=0 ∇=0 ∇=0	mm INCH 4 PLACES ± --- ± --- 3 PLACES ± --- ± .015 2 PLACES ± 0.38 ± --- 1 PLACE ± --- ± --- 0 PLACE ± --- ± ---	DRAWN BY: BANDURA 2016/07/26 CHECKED BY: BANDURA 2016/07/26 APPROVED BY: FSMITH 2016/07/26	4:1	METRIC	PANEL MOUNT RECEPTACLE 40 CIRCUIT BLIND MATE MINI-FIT SERIES
	ANGULAR ± 1/2° DRAFT WHERE APPLICABLE MUST REMAIN WITHIN DIMENSIONS	MATERIAL NO. SEE CHART SIZE D THIS DRAWING CONTAINS INFORMATION THAT IS PROPRIETARY TO MOLEX INCORPORATED AND SHOULD NOT BE USED WITHOUT WRITTEN PERMISSION	DOCUMENT NO. SD-43974-005	<b>molex</b>		
						SHEET NO. 2 OF 2

19 18 17 16 15 14 13 12 11 10 9 8 7 6 5 4 3 2 1