

## Excellent Integrated System Limited

Stocking Distributor

Click to view price, real time Inventory, Delivery & Lifecycle Information:

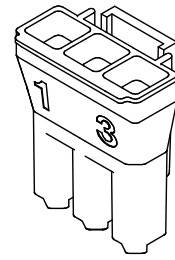
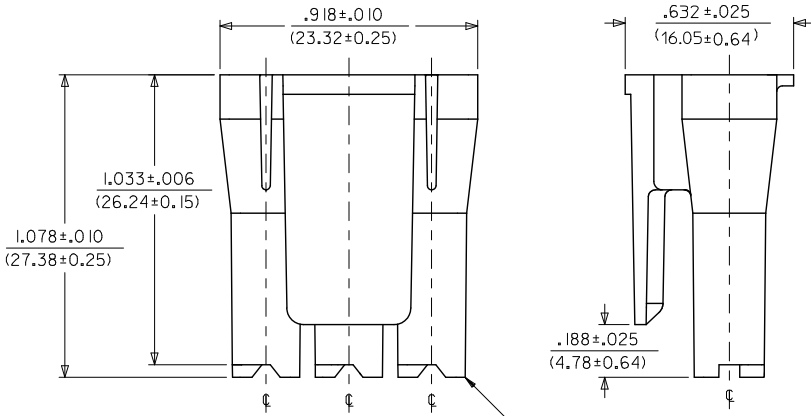
[Molex Connector Corporation](#)  
[0444411003](#)

For any questions, you can email us directly:  
[sales@integrated-circuit.com](mailto:sales@integrated-circuit.com)

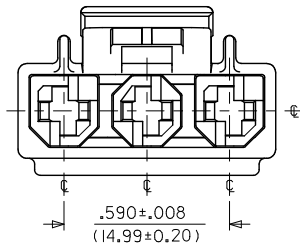
NOTES:

1. MATERIAL: SEE CHART.
2. THIS CONNECTOR HOUSING FOR USE WITH 43375-\*\*\*\* TERMINALS.
3. THIS CONNECTOR HOUSING WILL MATE TO A-43160-\*\*\*\*3, 43180-\*\*\*3, AND 43680-\*\*\*3 HOUSINGS.
4. PRODUCT SPECIFICATION: PSX-44441-9999.
5. PACKAGING: PK-44441-001.
6. FOR V-0 AND GLOW-WIRE MATERIAL: PARTS CONFORM TO CLASS 'B' REQUIREMENTS OF COSMETIC SPECIFICATION PS-45499-002 BUT, MEETS CLASS 'C' REQUIREMENTS FOR BUBBLES, SINK AND DISCOLORATION.

ITEM NUMBER	MATERIAL	COLOR
44441-2003	UL94V-0 NYLON	BLACK
44441-1003	UL94V-2 NYLON	NATURAL (TRANSLUCENT)
44441-3003	UL94V-2 NYLON IEC 60335-1 GLOW WIRE CAPABLE	BLACK



44441-1003  
(NO SCALE)



CIRCUIT 1

REV	DESCRIPTION	QUALITY SYMBOLS	GENERAL TOLERANCES (UNLESS SPECIFIED)		DIMENSION STYLE IN/MM	SCALE 3:1	DESIGN UNITS INCH	THIRD ANGLE PROJECTION
			mm	INCH				
6	NOTE 6 EC NO: IJCP2015-3600 DRAWN: 2015/03/04 CHKD: JDOX APPR: F SMITH 2015/03/26	▽=0 ▽=0 ▽=0	4 PLACES ± .010	± .004	INCH	DATE 1995/01/06	DATE 1995/01/06	DATE 1995/01/06
5			3 PLACES ± .025	± .014	INCH	DATE 1995/01/06	DATE 1995/01/06	DATE 1995/01/06
4			2 PLACES ± 0.35	± .014	INCH	DATE 1995/01/06	DATE 1995/01/06	DATE 1995/01/06
3			1 PLACE ± .010	± .004	INCH	DATE 1995/01/06	DATE 1995/01/06	DATE 1995/01/06
2			0 PLACE ± .010	± .004	INCH	DATE 1995/01/06	DATE 1995/01/06	DATE 1995/01/06
1			ANGULAR ± 1/2°	± .004	INCH	DATE 1995/01/06	DATE 1995/01/06	DATE 1995/01/06
			DRAFT WHERE APPLICABLE MUST REMAIN WITHIN DIMENSIONS		INCH	DATE 1995/01/06	DATE 1995/01/06	DATE 1995/01/06
					INCH	DATE 1995/01/06	DATE 1995/01/06	DATE 1995/01/06

3-CIR. RECEPT. HOUSING  
.125 X .020 FLAT BLADE  
TPA W/THUMB LATCH



SD-44441-1003