

Excellent Integrated System Limited

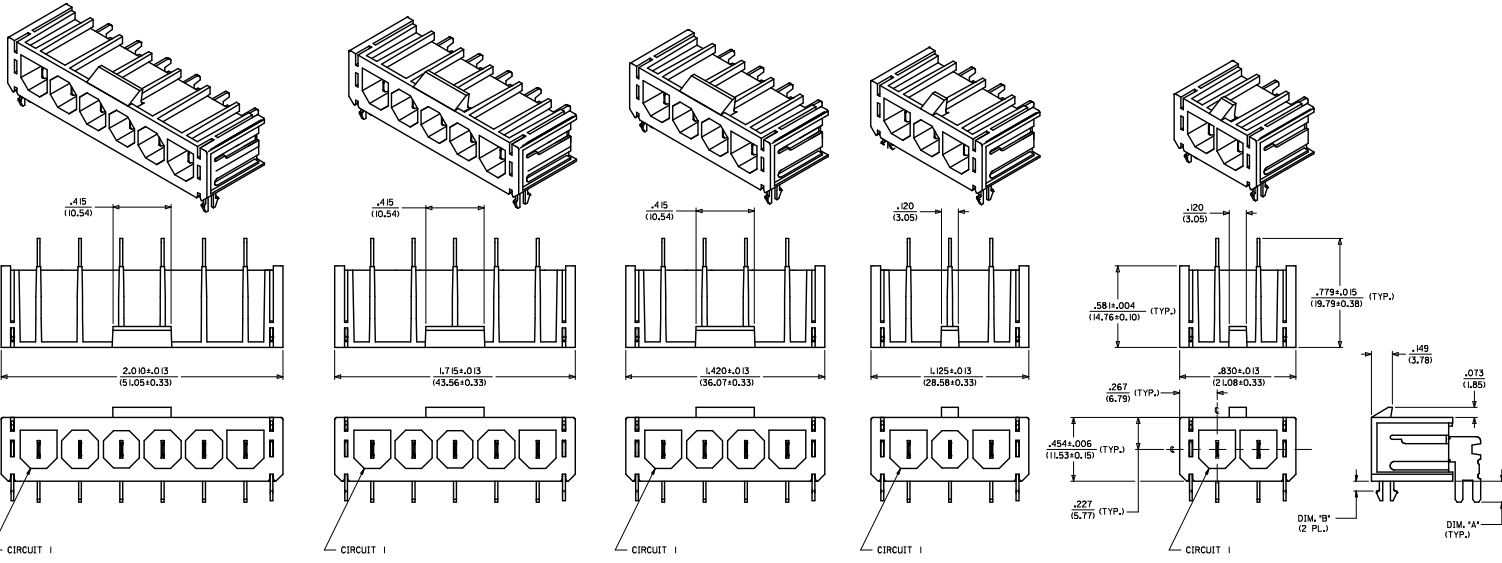
Stocking Distributor

Click to view price, real time Inventory, Delivery & Lifecycle Information:

[Molex Connector Corporation](#)
[0461483102](#)

For any questions, you can email us directly:

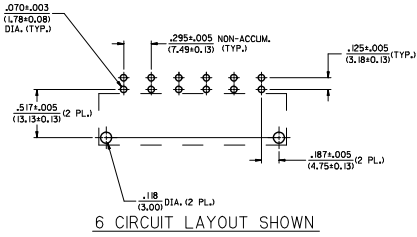
sales@integrated-circuit.com



SEE SHEET 5 AND 6 FOR ITEM NUMBER CHART

RECOMMENDED P.C. BOARD LAYOUT FOR RIGHT ANGLE HEADERS

SCALE 2:1



6 CIRCUIT LAYOUT SHOWN

NOTES

- INSULATOR MATERIAL: NYLON UL94V-0h IEC GLOW WIRE MATERIAL RATING GWIT-960°C. GWF-960°C, BOTH • 0.75MM WALL THICKNESS.
- TERMINAL MATERIAL: BRASS
- TERMINAL FINISH: 60 MICRON (1.50 MICROMETER) MINIMUM TIN OVER 50 MICRON (1.25 MICROMETER) MINIMUM NICKEL.
- PRODUCT SPECIFICATION: PSX-44441-9999.
- PACKAGING: SEE CHART.
- THESE HEADERS MATE WITH 43179, 43335, OR 44441 RECEPTACLE HOUSINGS.
- SEE SHEETS 1, 2 AND 3 FOR VERTICAL HEADER ASSEMBLIES AND THEIR RESPECTIVE PART NUMBERS.
- SEE SHEETS 4, 5 AND 6 FOR RIGHT ANGLE HEADER ASSEMBLIES AND THEIR RESPECTIVE PART NUMBERS.
- TERMINALS ARE ON .295 (7.49) CENTERLINE SPACING.
- DIMENSIONS ARE FOR REFERENCE ONLY UNLESS INDICATED OTHERWISE.

SOLDER TAIL	DIM. 'A' ±.011/(0.28)
SHORT	.150/(3.81)
LONG	.210/(5.33)

BOARD LOCK	DIM. 'B' ±.004/(0.10)
.062	.070/(1.78)
.094	.102/(2.59)
.125	.133/(3.38)

REFERENCE UNDERPLATE EC NO. LCP2012-3078 DRAWING NO. 2017/06/14 CHECKED BY: CHIKUBELL APPROVED BY: [Signature] DATE: 2017/06/14	QUALITY SYMBOLS ▽=0 ▽=0	GENERAL TOLERANCES (UNLESS SPECIFIED) 4 PLACES ±.005 3 PLACES ±.005 2 PLACES ±.013 ±.01 1 PLACE ±.025 ANGULAR ±1/2°	DIMENSION STYLE IN/MM	SCALE 3:1	DESIGN UNITS INCH	THIRD ANGLE PROJECTION	
	DRAWN BY CSTEWART	DATE 11/18/05	TITLE SABRE HEADER ASSY. RT. ANGLE, 2-6 & 8 CIR. GLOW WIRE COMPLIANT				
	CHECKED BY BWIRKUS	DATE 2005/11/18	APPROVED BY BWIRKUS	MATERIAL NO. SEE CHART	DOCUMENT NO. SD-46148-001	SHEET NO. 4 OF 6	
	DRAFT WHERE APPLICABLE WITHIN DIMENSIONS THIS DRAWING CONTAINS INFORMATION THAT IS PROPRIETARY TO MOLEX INCORPORATED AND SHOULD NOT BE USED WITHOUT WRITTEN PERMISSION						

20	19	18	17	16	15	14	13	12	11	10	9	8	7	6	5	4	3	2	1																																																																																																																						
<table border="1"> <thead> <tr> <th>RT. ANGLE HEADER ASSEMBLY ITEM NO.</th> <th colspan="3">PART CHARACTERISTICS FOR RIGHT ANGLE HEADER</th> <th>PACKAGING SPECIFICATIONS</th> </tr> <tr> <th>CIRCUIT SIZE</th> <th>SOLDER TAIL</th> <th>BOARD LOCK</th> <th></th> <th></th> </tr> </thead> <tbody> <tr><td>46148-1102</td><td>2</td><td>SHORT</td><td>N/A</td><td>PK-43160-0010</td></tr> <tr><td>46148-1302</td><td>2</td><td>LONG</td><td>N/A</td><td>PK-43789-001</td></tr> <tr><td>46148-3102</td><td>2</td><td>SHORT</td><td>.062</td><td>PK-43789-001</td></tr> <tr><td>46148-5102</td><td>2</td><td>SHORT</td><td>.094</td><td>PK-43789-001</td></tr> <tr><td>46148-5302</td><td>2</td><td>LONG</td><td>.094</td><td>PK-43789-001</td></tr> <tr><td>46148-7302</td><td>2</td><td>LONG</td><td>.125</td><td>PK-43789-001</td></tr> </tbody> </table>				RT. ANGLE HEADER ASSEMBLY ITEM NO.	PART CHARACTERISTICS FOR RIGHT ANGLE HEADER			PACKAGING SPECIFICATIONS	CIRCUIT SIZE	SOLDER TAIL	BOARD LOCK			46148-1102	2	SHORT	N/A	PK-43160-0010	46148-1302	2	LONG	N/A	PK-43789-001	46148-3102	2	SHORT	.062	PK-43789-001	46148-5102	2	SHORT	.094	PK-43789-001	46148-5302	2	LONG	.094	PK-43789-001	46148-7302	2	LONG	.125	PK-43789-001	<table border="1"> <thead> <tr> <th>RT. ANGLE HEADER ASSEMBLY ITEM NO.</th> <th colspan="3">PART CHARACTERISTICS FOR RIGHT ANGLE HEADER</th> <th>PACKAGING SPECIFICATIONS</th> </tr> <tr> <th>CIRCUIT SIZE</th> <th>HSG. MAT'L (SEE NOTE D)</th> <th>SOLDER TAIL</th> <th>BOARD LOCK</th> <th></th> </tr> </thead> <tbody> <tr><td>46148-1104</td><td>4</td><td>A</td><td>SHORT</td><td>N/A</td><td>PK-43160-0010</td></tr> <tr><td>46148-1304</td><td>4</td><td>A</td><td>LONG</td><td>N/A</td><td>PK-43789-001</td></tr> <tr><td>46148-3104</td><td>4</td><td>A</td><td>SHORT</td><td>.062</td><td>PK-43789-001</td></tr> <tr><td>46148-5104</td><td>4</td><td>A</td><td>SHORT</td><td>.094</td><td>PK-43789-001</td></tr> <tr><td>46148-5304</td><td>4</td><td>A</td><td>LONG</td><td>.094</td><td>PK-43789-001</td></tr> <tr><td>46148-7304</td><td>4</td><td>A</td><td>LONG</td><td>.125</td><td>PK-43789-001</td></tr> </tbody> </table>				RT. ANGLE HEADER ASSEMBLY ITEM NO.	PART CHARACTERISTICS FOR RIGHT ANGLE HEADER			PACKAGING SPECIFICATIONS	CIRCUIT SIZE	HSG. MAT'L (SEE NOTE D)	SOLDER TAIL	BOARD LOCK		46148-1104	4	A	SHORT	N/A	PK-43160-0010	46148-1304	4	A	LONG	N/A	PK-43789-001	46148-3104	4	A	SHORT	.062	PK-43789-001	46148-5104	4	A	SHORT	.094	PK-43789-001	46148-5304	4	A	LONG	.094	PK-43789-001	46148-7304	4	A	LONG	.125	PK-43789-001	<table border="1"> <thead> <tr> <th>RT. ANGLE HEADER ASSEMBLY ITEM NO.</th> <th colspan="3">PART CHARACTERISTICS FOR RIGHT ANGLE HEADER</th> <th>PACKAGING SPECIFICATIONS</th> </tr> <tr> <th>CIRCUIT SIZE</th> <th>SOLDER TAIL</th> <th>BOARD LOCK</th> <th></th> <th></th> </tr> </thead> <tbody> <tr><td>46148-1106</td><td>6</td><td>SHORT</td><td>N/A</td><td>PK-43160-0010</td></tr> <tr><td>46148-1306</td><td>6</td><td>LONG</td><td>N/A</td><td>PK-43789-001</td></tr> <tr><td>46148-3106</td><td>6</td><td>SHORT</td><td>.062</td><td>PK-43789-001</td></tr> <tr><td>46148-5106</td><td>6</td><td>SHORT</td><td>.094</td><td>PK-43789-001</td></tr> <tr><td>46148-5306</td><td>6</td><td>LONG</td><td>.094</td><td>PK-43789-001</td></tr> <tr><td>46148-7306</td><td>6</td><td>LONG</td><td>.125</td><td>PK-43789-001</td></tr> </tbody> </table>				RT. ANGLE HEADER ASSEMBLY ITEM NO.	PART CHARACTERISTICS FOR RIGHT ANGLE HEADER			PACKAGING SPECIFICATIONS	CIRCUIT SIZE	SOLDER TAIL	BOARD LOCK			46148-1106	6	SHORT	N/A	PK-43160-0010	46148-1306	6	LONG	N/A	PK-43789-001	46148-3106	6	SHORT	.062	PK-43789-001	46148-5106	6	SHORT	.094	PK-43789-001	46148-5306	6	LONG	.094	PK-43789-001	46148-7306	6	LONG	.125	PK-43789-001
RT. ANGLE HEADER ASSEMBLY ITEM NO.	PART CHARACTERISTICS FOR RIGHT ANGLE HEADER			PACKAGING SPECIFICATIONS																																																																																																																																					
CIRCUIT SIZE	SOLDER TAIL	BOARD LOCK																																																																																																																																							
46148-1102	2	SHORT	N/A	PK-43160-0010																																																																																																																																					
46148-1302	2	LONG	N/A	PK-43789-001																																																																																																																																					
46148-3102	2	SHORT	.062	PK-43789-001																																																																																																																																					
46148-5102	2	SHORT	.094	PK-43789-001																																																																																																																																					
46148-5302	2	LONG	.094	PK-43789-001																																																																																																																																					
46148-7302	2	LONG	.125	PK-43789-001																																																																																																																																					
RT. ANGLE HEADER ASSEMBLY ITEM NO.	PART CHARACTERISTICS FOR RIGHT ANGLE HEADER			PACKAGING SPECIFICATIONS																																																																																																																																					
CIRCUIT SIZE	HSG. MAT'L (SEE NOTE D)	SOLDER TAIL	BOARD LOCK																																																																																																																																						
46148-1104	4	A	SHORT	N/A	PK-43160-0010																																																																																																																																				
46148-1304	4	A	LONG	N/A	PK-43789-001																																																																																																																																				
46148-3104	4	A	SHORT	.062	PK-43789-001																																																																																																																																				
46148-5104	4	A	SHORT	.094	PK-43789-001																																																																																																																																				
46148-5304	4	A	LONG	.094	PK-43789-001																																																																																																																																				
46148-7304	4	A	LONG	.125	PK-43789-001																																																																																																																																				
RT. ANGLE HEADER ASSEMBLY ITEM NO.	PART CHARACTERISTICS FOR RIGHT ANGLE HEADER			PACKAGING SPECIFICATIONS																																																																																																																																					
CIRCUIT SIZE	SOLDER TAIL	BOARD LOCK																																																																																																																																							
46148-1106	6	SHORT	N/A	PK-43160-0010																																																																																																																																					
46148-1306	6	LONG	N/A	PK-43789-001																																																																																																																																					
46148-3106	6	SHORT	.062	PK-43789-001																																																																																																																																					
46148-5106	6	SHORT	.094	PK-43789-001																																																																																																																																					
46148-5306	6	LONG	.094	PK-43789-001																																																																																																																																					
46148-7306	6	LONG	.125	PK-43789-001																																																																																																																																					
<table border="1"> <thead> <tr> <th>RT. ANGLE HEADER ASSEMBLY ITEM NO.</th> <th colspan="3">PART CHARACTERISTICS FOR RIGHT ANGLE HEADER</th> <th>PACKAGING SPECIFICATIONS</th> </tr> <tr> <th>CIRCUIT SIZE</th> <th>SOLDER TAIL</th> <th>BOARD LOCK</th> <th></th> <th></th> </tr> </thead> <tbody> <tr><td>46148-1103</td><td>3</td><td>SHORT</td><td>N/A</td><td>PK-43160-0010</td></tr> <tr><td>46148-1303</td><td>3</td><td>LONG</td><td>N/A</td><td>PK-43789-001</td></tr> <tr><td>46148-3103</td><td>3</td><td>SHORT</td><td>.062</td><td>PK-43789-001</td></tr> <tr><td>46148-3503</td><td>3</td><td>SHORT</td><td>.094</td><td>PK-43789-001</td></tr> <tr><td>46148-3703</td><td>3</td><td>LONG</td><td>.094</td><td>PK-43789-001</td></tr> <tr><td>46148-7303</td><td>3</td><td>LONG</td><td>.125</td><td>PK-43789-001</td></tr> </tbody> </table>				RT. ANGLE HEADER ASSEMBLY ITEM NO.	PART CHARACTERISTICS FOR RIGHT ANGLE HEADER			PACKAGING SPECIFICATIONS	CIRCUIT SIZE	SOLDER TAIL	BOARD LOCK			46148-1103	3	SHORT	N/A	PK-43160-0010	46148-1303	3	LONG	N/A	PK-43789-001	46148-3103	3	SHORT	.062	PK-43789-001	46148-3503	3	SHORT	.094	PK-43789-001	46148-3703	3	LONG	.094	PK-43789-001	46148-7303	3	LONG	.125	PK-43789-001	<table border="1"> <thead> <tr> <th>RT. ANGLE HEADER ASSEMBLY ITEM NO.</th> <th colspan="3">PART CHARACTERISTICS FOR RIGHT ANGLE HEADER</th> <th>PACKAGING SPECIFICATIONS</th> </tr> <tr> <th>CIRCUIT SIZE</th> <th>HSG. MAT'L (SEE NOTE D)</th> <th>SOLDER TAIL</th> <th>BOARD LOCK</th> <th></th> </tr> </thead> <tbody> <tr><td>46148-1105</td><td>5</td><td>A</td><td>SHORT</td><td>N/A</td><td>PK-43160-0010</td></tr> <tr><td>46148-1305</td><td>5</td><td>A</td><td>LONG</td><td>N/A</td><td>PK-43789-001</td></tr> <tr><td>46148-3105</td><td>5</td><td>A</td><td>SHORT</td><td>.062</td><td>PK-43789-001</td></tr> <tr><td>46148-5105</td><td>5</td><td>A</td><td>SHORT</td><td>.094</td><td>PK-43789-001</td></tr> <tr><td>46148-5305</td><td>5</td><td>A</td><td>LONG</td><td>.094</td><td>PK-43789-001</td></tr> <tr><td>46148-7305</td><td>5</td><td>A</td><td>LONG</td><td>.125</td><td>PK-43789-001</td></tr> </tbody> </table>				RT. ANGLE HEADER ASSEMBLY ITEM NO.	PART CHARACTERISTICS FOR RIGHT ANGLE HEADER			PACKAGING SPECIFICATIONS	CIRCUIT SIZE	HSG. MAT'L (SEE NOTE D)	SOLDER TAIL	BOARD LOCK		46148-1105	5	A	SHORT	N/A	PK-43160-0010	46148-1305	5	A	LONG	N/A	PK-43789-001	46148-3105	5	A	SHORT	.062	PK-43789-001	46148-5105	5	A	SHORT	.094	PK-43789-001	46148-5305	5	A	LONG	.094	PK-43789-001	46148-7305	5	A	LONG	.125	PK-43789-001																																												
RT. ANGLE HEADER ASSEMBLY ITEM NO.	PART CHARACTERISTICS FOR RIGHT ANGLE HEADER			PACKAGING SPECIFICATIONS																																																																																																																																					
CIRCUIT SIZE	SOLDER TAIL	BOARD LOCK																																																																																																																																							
46148-1103	3	SHORT	N/A	PK-43160-0010																																																																																																																																					
46148-1303	3	LONG	N/A	PK-43789-001																																																																																																																																					
46148-3103	3	SHORT	.062	PK-43789-001																																																																																																																																					
46148-3503	3	SHORT	.094	PK-43789-001																																																																																																																																					
46148-3703	3	LONG	.094	PK-43789-001																																																																																																																																					
46148-7303	3	LONG	.125	PK-43789-001																																																																																																																																					
RT. ANGLE HEADER ASSEMBLY ITEM NO.	PART CHARACTERISTICS FOR RIGHT ANGLE HEADER			PACKAGING SPECIFICATIONS																																																																																																																																					
CIRCUIT SIZE	HSG. MAT'L (SEE NOTE D)	SOLDER TAIL	BOARD LOCK																																																																																																																																						
46148-1105	5	A	SHORT	N/A	PK-43160-0010																																																																																																																																				
46148-1305	5	A	LONG	N/A	PK-43789-001																																																																																																																																				
46148-3105	5	A	SHORT	.062	PK-43789-001																																																																																																																																				
46148-5105	5	A	SHORT	.094	PK-43789-001																																																																																																																																				
46148-5305	5	A	LONG	.094	PK-43789-001																																																																																																																																				
46148-7305	5	A	LONG	.125	PK-43789-001																																																																																																																																				

UPDATE REV. LEVEL EC NO. UCP2012-3078 2012/06/14 DRINKWALING CHKD-BELL 2012/06/14 APPROVED 2012/06/16 BEL	QUALITY SYMBOLS 	GENERAL TOLERANCES (UNLESS SPECIFIED) <table border="1"> <tr> <th></th> <th>mm</th> <th>INCH</th> </tr> <tr> <td>4 PLACES</td> <td>+ .005</td> <td>+ .0005</td> </tr> <tr> <td>3 PLACES</td> <td>+ .003</td> <td>+ .0003</td> </tr> <tr> <td>2 PLACES</td> <td>+ .002</td> <td>+ .0002</td> </tr> <tr> <td>1 PLACE</td> <td>+ .001</td> <td>+ .0001</td> </tr> </table>		mm	INCH	4 PLACES	+ .005	+ .0005	3 PLACES	+ .003	+ .0003	2 PLACES	+ .002	+ .0002	1 PLACE	+ .001	+ .0001	DIMENSION STYLE IN/MM SCALE 1:1 DESIGN UNITS INCH THIRD ANGLE PROJECTION 	DRAWN BY CSTEWART DATE 11/11/05 CHECKED BY BWIRKUS DATE 2005/11/11 APPROVED BY BWIRKUS DATE	TITLE SABRE HEADER ASSY RT. ANGLE, 2-6 & 8 CIR. GLOW WIRE COMPLIANT
		mm	INCH																	
	4 PLACES	+ .005	+ .0005																	
	3 PLACES	+ .003	+ .0003																	
2 PLACES	+ .002	+ .0002																		
1 PLACE	+ .001	+ .0001																		
DRAFT WHERE APPLICABLE MUST REMAIN WITHIN DIMENSIONS		PATERIAL NO. SEE CHART	DOCUMENT NO. SD-46148-001	MOLEX INCORPORATED 	SHEET NO. 5 OF 6															
THIS DRAWING CONTAINS INFORMATION THAT IS PROPRIETARY TO MOLEX INCORPORATED AND SHOULD NOT BE USED WITHOUT WRITTEN PERMISSION																				
SIZE D																				