

Excellent Integrated System Limited

Stocking Distributor

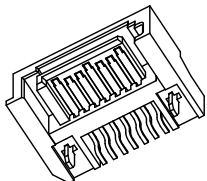
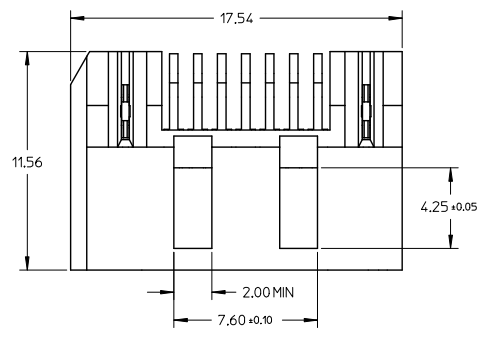
Click to view price, real time Inventory, Delivery & Lifecycle Information:

[Molex Connector Corporation](#)
[0470804002](#)

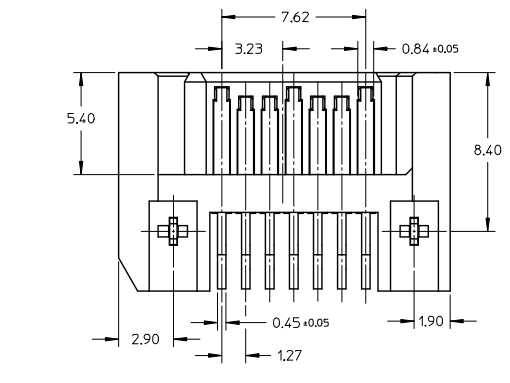
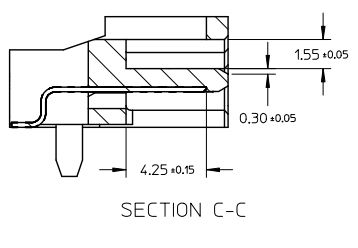
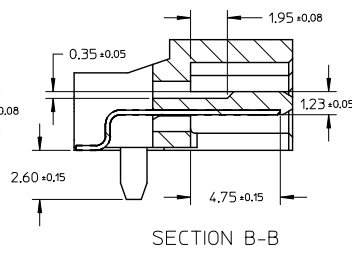
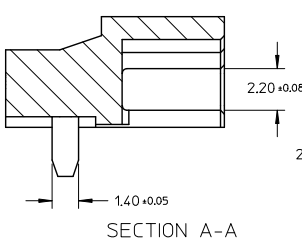
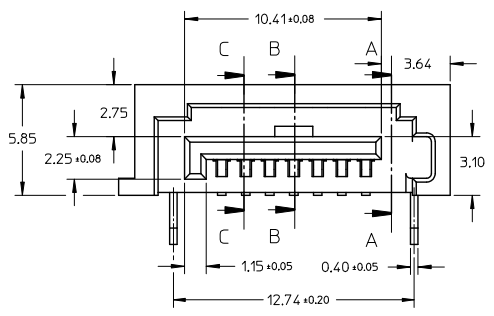
For any questions, you can email us directly:

sales@integrated-circuit.com

10 9 8 7 6 5 4 3 2 1



- NOTES:
- MATERIAL:
HOUSING: HIGH TEMPERATURE PLASTIC, GLASS FILLED, UL94V-0, COLOR: SEE CHART,
TERMINAL/PEG: COPPER ALLOY,
MYLAR: ADHESIVE TAPE.
 - TERMINAL AND PEG PLATING:
CONTACT AREA: GOLD PLATED ON 1.25 MICRONS MINIMUM NICKEL UNDER PLATE,
REFERRED TO PLATING TYPE LIST IN TABLE;
SOLDER AREA: 127 MICRONS PURE TIN PLATED ON 1.25 MICRONS
MINIMUM NICKEL UNDER PLATE, REFERRED TO REMARK IN TABLE.
 - PRODUCT SPECIFICATION REFER TO PS-67490-001.
 - MATING PART: 67489.
 - PRODUCT COMPLIANT TO RoHS DIRECTIVE 2002/95/EC AND ELV 2000/53/EC.



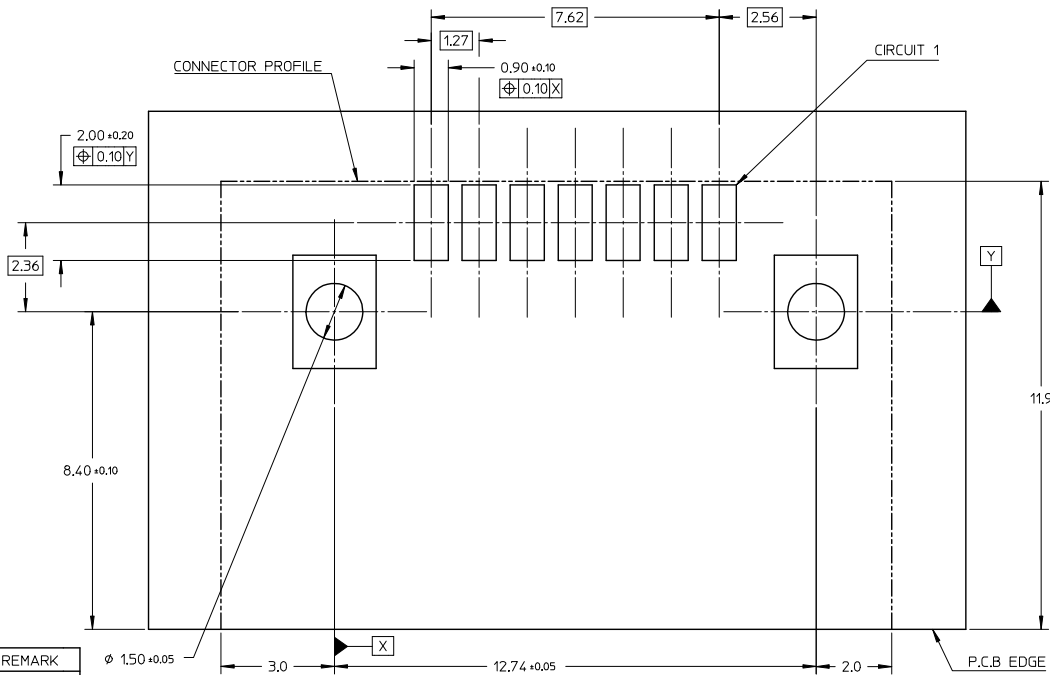
OBsolete PART EC NO. SH2012-0231 DRAWING: LI CHKD: XZhang APPR: ATIN 2012/01/17 2012/01/17 2012/01/20	QUALITY SYMBOLS ▽=0 ▽=0	GENERAL TOLERANCES (UNLESS SPECIFIED)		DIMENSION STYLE MM ONLY		SCALE 1:1	DESIGN UNITS METRIC	THIRD ANGLE PROJECTION	
		4 PLACES ± --- ± ---	INCH	DRAWN BY GRATE MA	DATE 2004/06/14	TITLE SATA SYSTEM PLUG PEG INSERT TYPE WITH SHROUD			
		3 PLACES ± --- ± ---	mm	CHECKED BY GRATE MA	DATE 2004/06/14	MOLEX INCORPORATED			
		2 PLACES ± 0.15 ± --- 1 PLACE ± 0.25 ± --- ANGULAR ± 1°	mm	APPROVED BY VINCENT	DATE 2004/06/14	MATERIAL NO. SEE SHEET 2 DOCUMENT NO. SD-47080-001			
DRAFT WHERE APPLICABLE MUST REMAIN WITHIN DIMENSIONS		THIS DRAWING CONTAINS INFORMATION THAT IS PROPRIETARY TO MOLEX INCORPORATED AND SHOULD NOT BE USED WITHOUT WRITTEN PERMISSION		SHEET NO. 1 OF 2					

10 9 8 7 6 5 4 3 2 1

10 9 8 7 6 5 4 3 2 1

F
E
D
C

F
E
D
C



PART NO	PLATING TYPE	PLASTIC COLOR	REMARK
47080-4001	GOLD FLASH	BLACK	BRIGHT TIN
47080-4002	GOLD PLATED 0.76 MICRONS		
47080-4005	GOLD PLATED 0.38 MICRONS		
47080-6001	GOLD FLASH	PROCESS BLUE C	MATTE TIN
47080-6002	GOLD PLATED 0.76 MICRONS	DELTA E<3	
47080-6005	GOLD PLATED 0.38 MICRONS		
47080-1010	GOLD FLASH	BLACK	
47080-1020	GOLD PLATED 0.76 MICRONS		
47080-1030	GOLD PLATED 0.38 MICRONS		
47080-2010	GOLD FLASH	NATURE COLOR	
47080-2020	GOLD PLATED 0.76 MICRONS		
47080-2030	GOLD PLATED 0.38 MICRONS		
47080-3010	GOLD FLASH	PROCESS BLUE C	MATTE TIN
47080-3020	GOLD PLATED 0.76 MICRONS	DELTA E<3	
47080-3030	GOLD PLATED 0.38 MICRONS		

OBSOLETE PART EC NO: SH2012-0231 DRAWN BY: DRWINGLI CHKD:XIZHANG APPR:AYIN	DESCRIPTION REV	QUALITY SYMBOLS ▽=0 ▽=0	GENERAL TOLERANCES (UNLESS SPECIFIED)		DIMENSION STYLE MM ONLY		SCALE 1:1	DESIGN UNITS METRIC	THIRD ANGLE PROJECTION
			mm	INCH	DRAWN BY	DATE			
H	REV	▽=0	4 PLACES	±---	±---	GRATE MA	2004/06/14	SATA SYSTEM PLUG PEG INSERT TYPE WITH SHROUD	MOLEX INCORPORATED
			3 PLACES	±---	±---	CHECKED BY	DATE		
			2 PLACES	±0.15	±---	GRATE MA	2004/06/14		
			1 PLACE	±0.25	±---	APPROVED BY	DATE		
DRAFT WHERE APPLICABLE MUST REMAIN WITHIN DIMENSIONS			ANGULAR ± 1°		VINCENT		2004/06/14	DOCUMENT NO. SD-47080-001	SHEET NO. 2 OF 2
SIZE A3			THIS DRAWING CONTAINS INFORMATION THAT IS PROPRIETARY TO MOLEX INCORPORATED AND SHOULD NOT BE USED WITHOUT WRITTEN PERMISSION						

tb_frame_A3_P_AM_T
Rev. E 2006/04/15

9 8 7 6 5 4 3 2 1