

Excellent Integrated System Limited

Stocking Distributor

Click to view price, real time Inventory, Delivery & Lifecycle Information:

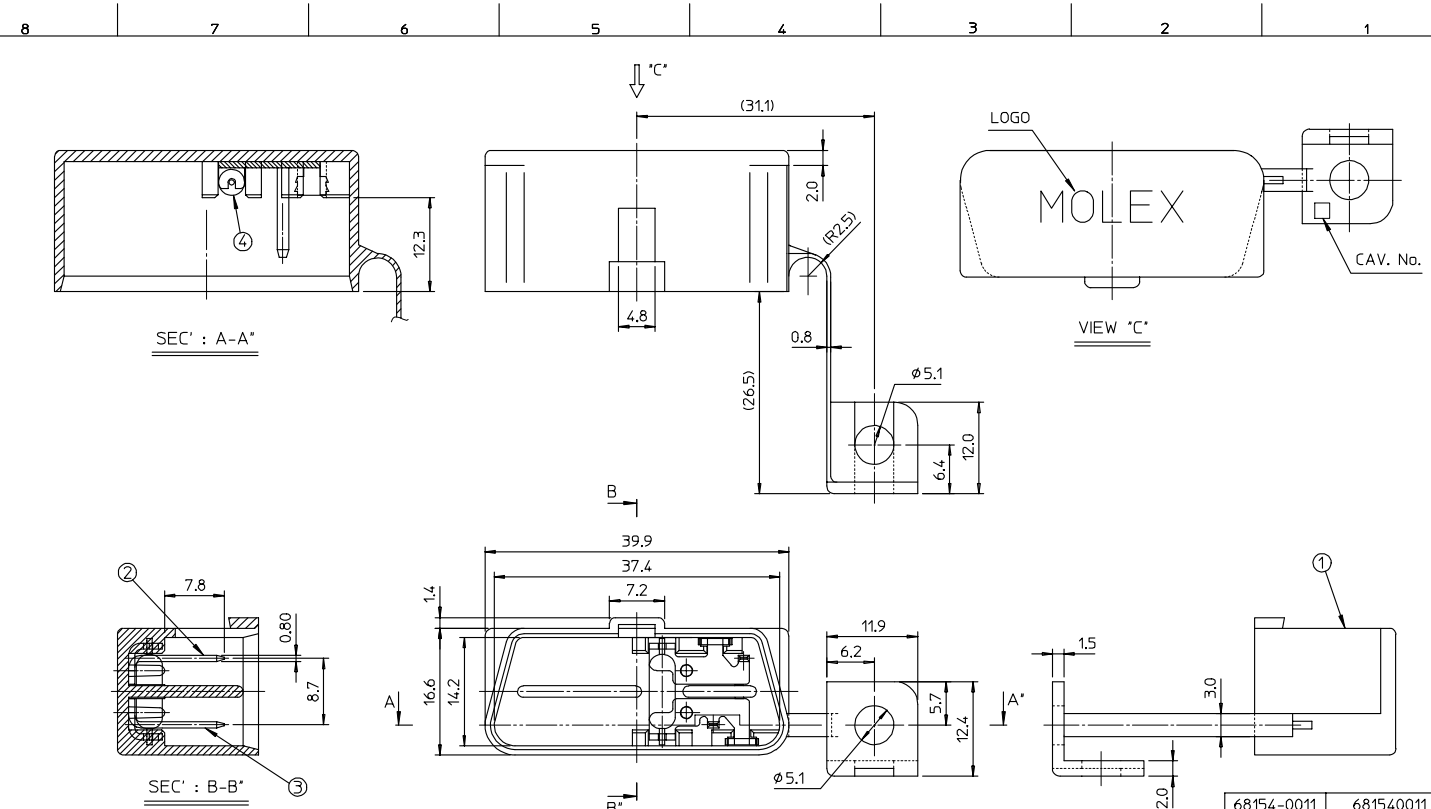
[Molex Connector Corporation](#)

[0681540011](#)

For any questions, you can email us directly:

sales@integrated-circuit.com

DWG. NO. SD-68154-001
 SIMILAR ITEM
 PROJECT NO.
 DO NOT SCALE DRAWING
 DIMENSION IN METRIC



NO.	PART NAME	PART No.	MATERIAL	REMARK
1	COVER	68154-0091	PP	BLACK
2	PIN-A	35488-9002	BRASS	TIN PLATING
3	PIN-B	35488-9102	BRASS	TIN PLATING
4	RESISTOR	---	---	510Ω ±5%

CHANGED BOARD	DESCRIPTION
ECN NO. KOR2003-0261	MAJOR
DRWN: S.HKIM 04/12/24	CRITICAL
CHK: B.CYUON	
APPR: C.WLEE	
REV	

GENERAL TOLERANCES: (UNLESS SPECIFIED)	
4 PLACES	±0.2
3 PLACES	±0.3
2 PLACES	±0.4
1 PLACE	±0.5
ANGULAR: ± 1°	
DRAFT WHERE APPLICABLE MUST REMAIN WITHIN DIMENSIONS	

SCALE	2/1
DESIGN UNITS	<input checked="" type="checkbox"/> mm <input type="checkbox"/> INCH
THIRD ANGLE PROJECTION	<input type="checkbox"/> FIRST ANGLE <input checked="" type="checkbox"/> THIRD ANGLE
DRAWN BY & DATE	J.S.KANG 00/01/06
CHECKED BY & DATE	B.K.CHOI 00/01/06
APPROVED BY & DATE	C.W.LEE 00/01/06
CAD FILENAME	E68154AB.MI

68154-0011	681540011
PART No.	MATERIAL No.
DIMENSIONS: <input type="checkbox"/> mm <input type="checkbox"/> INCH <input checked="" type="checkbox"/> mm ONLY	
SHT	REV
1	1
REVISION ON CAD ONLY	
TITLE: OBDII DUMMY PLUG ASSY (RESISTOR A-PULL UP)	
MOLEX INCORPORATED	
MATERIAL NO.	DRAWING NO.
SEE TABLE	SD-68154-001
SHEET NO. 1 of 1	
THIS DRAWING CONTAINS INFORMATION THAT IS PROPRIETARY TO MOLEX INCORPORATED AND SHOULD NOT BE USED WITHOUT WRITTEN PERMISSION.	
KOREA MX-A3	