

Excellent Integrated System Limited

Stocking Distributor

Click to view price, real time Inventory, Delivery & Lifecycle Information:

[Molex Connector Corporation](#)
[0731000256](#)

For any questions, you can email us directly:

sales@integrated-circuit.com

MATERIALS AND FINISHES

BODY, FERRULE, CAP: BRASS
PLATED GOLD

CENTER CONTACT: BERYLLIUM COPPER
PLATED GOLD

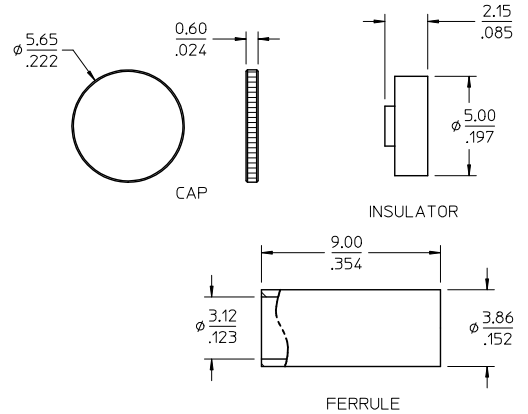
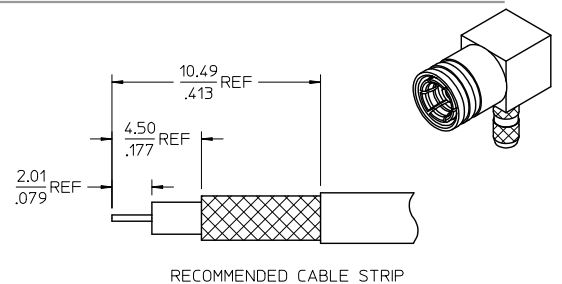
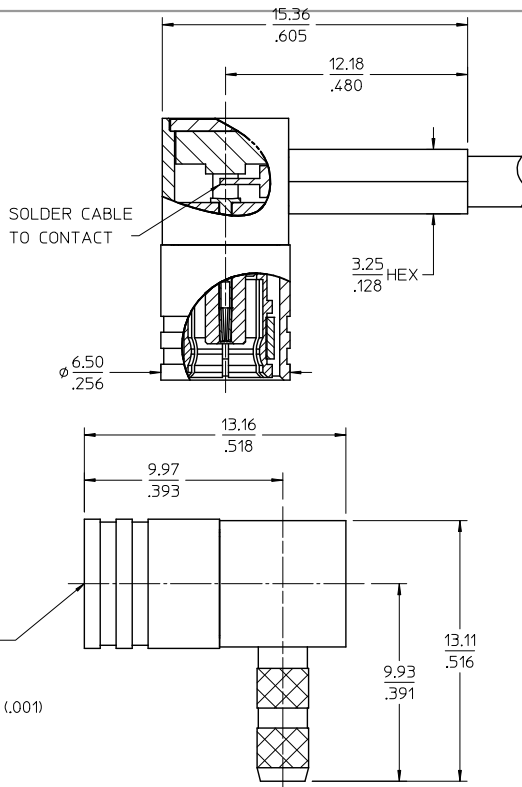
INSULATOR: TEFLON

RETAINING RING: BERYLLIUM COPPER

LABEL FORMAT FOR
73404-3000

PART NUMBER: 73100-0256
ORDER NUMBER: 73404-3000
MOLEX
DATE: YYWW

SMB PLUG
75 OHM
ACCEPTS PIN
Ø0.38 (.015)±0.025 (.001)



73404-3000	1 PIECE 73100-0256 IN SINGLE BAG WITH LABEL
73100-0256	TRAY
PART NO.	PACKAGING

PS-89675-3540		ELECTRO/MECH. PERFORM.	
SPECIFICATION		DESCRIPTION	
DIMENSION STYLE	SCALE	DESIGN UNITS	THIRD ANGLE PROJECTION
MM/IN		METRIC	☉
DRAWN BY	DATE	TITLE	
SEAN	1995/08/29	SMB PLUG RA 75 OHM	
CHECKED BY	DATE	RG179 MATES TO .015 PIN	
MISEN	1995/08/29	SMB-PC/RA	
APPROVED BY	DATE	MOLEX INCORPORATED	
JWIENER	2010/12/13	MOLEX INCORPORATED	
MATERIAL NO.	DOCUMENT NO.	SHEET NO.	
SEE TABLE	SD-73100-0256	1 OF 1	
THIS DRAWING CONTAINS INFORMATION THAT IS PROPRIETARY TO MOLEX INCORPORATED AND SHOULD NOT BE USED WITHOUT WRITTEN PERMISSION			

QUALITY SYMBOLS	4 PLACES ±	---	---
	3 PLACES ±	---	---
GENERAL TOLERANCES (UNLESS SPECIFIED)	2 PLACES ±	---	---
	1 PLACE ±	---	---
ANGULAR ± 2 °			
DRAFT WHERE APPLICABLE MUST REMAIN WITHIN DIMENSIONS			

MATERIALS AND FINISHES

BODY, FERRULE, CAP: BRASS
PLATED GOLD

CENTER CONTACT: BERYLLIUM COPPER
PLATED GOLD

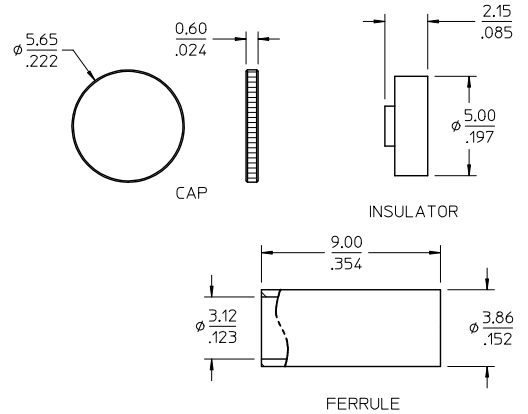
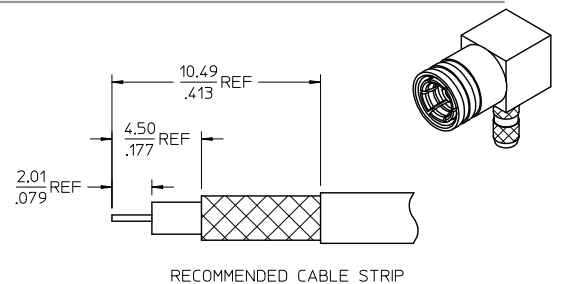
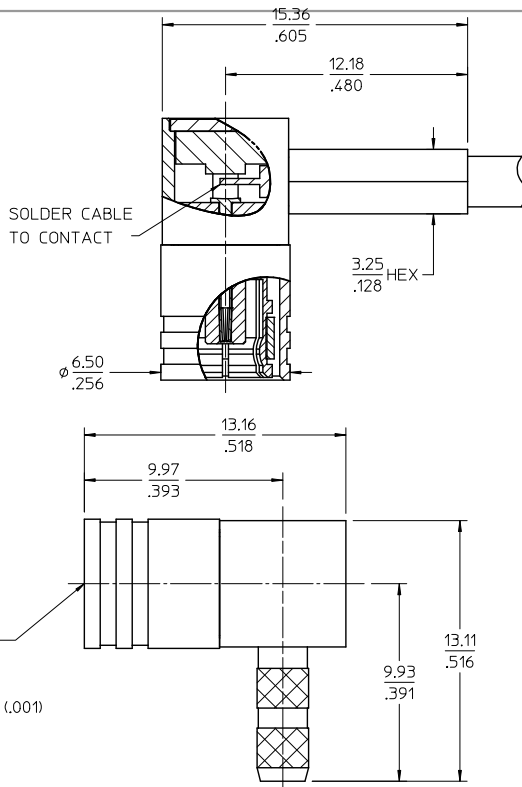
INSULATOR: TEFLON

RETAINING RING: BERYLLIUM COPPER

LABEL FORMAT FOR
73404-3000

PART NUMBER: 73100-0256
ORDER NUMBER: 73404-3000
MOLEX
DATE: YYWW

SMB PLUG
75 OHM
ACCEPTS PIN
Ø0.38 (.015)±0.025 (.001)



73404-3000	1 PIECE 73100-0256 IN SINGLE BAG WITH LABEL
73100-0256	TRAY
PART NO.	PACKAGING

PS-89675-3540		ELECTRO/MECH. PERFORM.	
SPECIFICATION		DESCRIPTION	
DIMENSION STYLE	SCALE	DESIGN UNITS	THIRD ANGLE PROJECTION
MM/IN		METRIC	☉
DRAWN BY	DATE	TITLE	
AROBERTSON	2011/03/31	SMB PLUG RA 75 OHM RG179 MATS TO .015 PIN SMB-PC/RA, EWR-4676	
CHECKED BY	DATE	MOLEX INCORPORATED	
SSS	2011/03/31		
APPROVED BY	DATE		
JWIENER	2011/04/04		
MATERIAL NO.	DOCUMENT NO.	SHEET NO.	
SEE TABLE	SD-73404-300	1 OF 1	
THIS DRAWING CONTAINS INFORMATION THAT IS PROPRIETARY TO MOLEX INCORPORATED AND SHOULD NOT BE USED WITHOUT WRITTEN PERMISSION			

CHG: 73100-0256 PACKING UPDATE TO TRAY FROM STANDARD EWR REF-15-E384 EC NO: URF2016-0367 DRAWN: CHENG 2015/11/05 CHKD: APPR: CHENG A2	QUALITY SYMBOLS	GENERAL TOLERANCES (UNLESS SPECIFIED)															
	▽=0 ∇=0	<table border="1"> <tr> <th></th> <th>mm</th> <th>INCH</th> </tr> <tr> <td>4 PLACES</td> <td>± .005</td> <td>± .0004</td> </tr> <tr> <td>3 PLACES</td> <td>± .008</td> <td>± .0005</td> </tr> <tr> <td>2 PLACES</td> <td>± .012</td> <td>± .0007</td> </tr> <tr> <td>1 PLACE</td> <td>± .015</td> <td>± .0009</td> </tr> </table>		mm	INCH	4 PLACES	± .005	± .0004	3 PLACES	± .008	± .0005	2 PLACES	± .012	± .0007	1 PLACE	± .015	± .0009
		mm	INCH														
	4 PLACES	± .005	± .0004														
3 PLACES	± .008	± .0005															
2 PLACES	± .012	± .0007															
1 PLACE	± .015	± .0009															
	ANGULAR ± 2 °																
	DRAFT WHERE APPLICABLE MUST REMAIN WITHIN DIMENSIONS																