

Excellent Integrated System Limited

Stocking Distributor

Click to view price, real time Inventory, Delivery & Lifecycle Information:

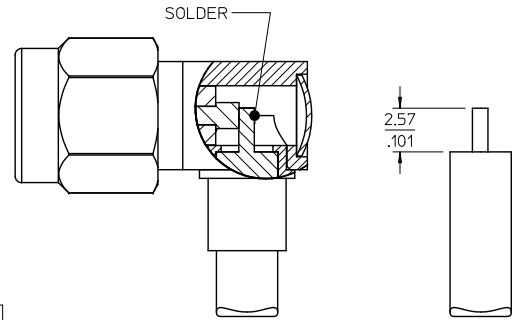
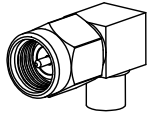
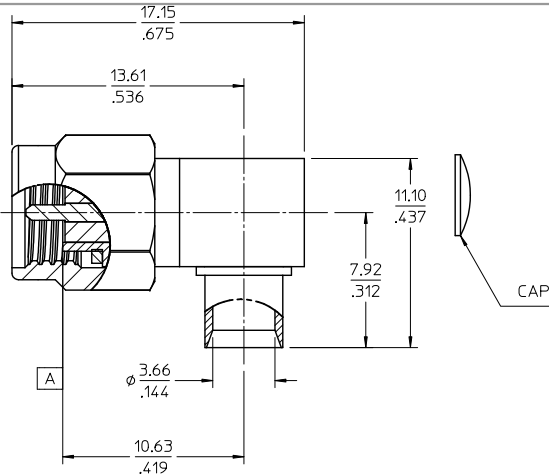
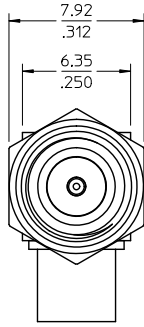
[Molex Connector Corporation](#)
[0732510071](#)

For any questions, you can email us directly:

sales@integrated-circuit.com

MATERIALS AND FINISHES

- BODY: STAINLESS STEEL
PLATED GOLD
- COUPLING NUT: STAINLESS STEEL
PASSIVATED (-0071 & -0072)
GOLD (-0073)
- CONTACT: BRASS
PLATED GOLD
- INSULATOR: TEFLON
- GASKET: SILICONE RUBBER
- CRING: BERYLLIUM COPPER
- CAP: BRASS
PLATED GOLD



PS-89675-3460	PRODUCT SPECIFICATION
MIL-STD-348A, FIG. 310-1	INTERFACE
SPECIFICATION	DESCRIPTION

73251-0073	STANDARD	8 u"	Ni-Ph 80 u" MIN
73251-0072	73251-0071 BY TRAY (20 CAVITY)	30 u"	NICKEL 100 u" MIN
73251-0071	STANDARD	30 u"	NICKEL 100 u" MIN
PART NO.	PACKAGING	GOLD LAYER	UNDER LAYER

CHG: UPDATE VIEW EC NO: URF2013-0460 DRWN: JWIENER CHKD: SSS APPR: JWIENER DATE: 2013/02/08 DATE: 2013/02/08 DATE: 2013/02/11	QUALITY SYMBOLS ▽=0 ▽=0	GENERAL TOLERANCES (UNLESS SPECIFIED) mm INCH 4 PLACES ± --- ± --- 3 PLACES ± --- ± --- 2 PLACES ± --- ± --- 1 PLACE ± --- ± --- ANGULAR ± 2 °	DIMENSION STYLE MM/IN	SCALE DESIGN UNITS INCH	THIRD ANGLE PROJECTION	TITLE SMA PLUG RA FOR 141 TYPE CABLES SMA-PC/RA	MOLEX INCORPORATED	MATERIAL NO. SEE TABLE	DOCUMENT NO. SD-73251-007	SHEET NO. 1 OF 1