

Excellent Integrated System Limited

Stocking Distributor

Click to view price, real time Inventory, Delivery & Lifecycle Information:

[Molex Connector Corporation](#)
[0732510160](#)

For any questions, you can email us directly:

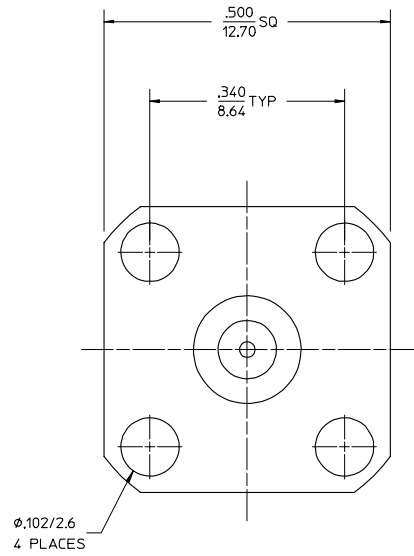
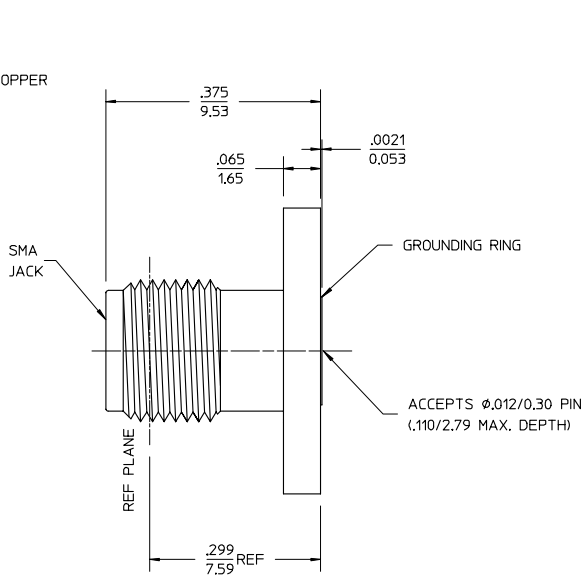
sales@integrated-circuit.com

SD-73251-016

MATERIALS AND FINISHES:
BODY STAINLESS STEEL
PASSIVATED

CENTER CONTACT BERYLLIUM COPPER
PLATED GOLD

INSULATOR TEFLON



PART # 73251-0160

MIL-STD-348, FIGURE 310-2	INTERFACE
PS-89675-2910	ELECTRO/MECH PERFORMANCE
SPECIFICATION	DESCRIPTION

CHG: NEW RELEASE	REV DESCRIPTION
EC NO. URF-0233	A
DRWN: TEF 06/21/99	
CHK: DHG 06/21/99	
APPR: GMH 06/21/99	

UNLESS OTHERWISE SPECIFIED DIMS ARE INCHES AND ANGLES ARE DEGREES.
1. $\sqrt{63}$ ALL OVER.
2. NO CHATTER OR NON-UNIFORM SURFACE FINISH ALLOWED.
3. PARTS TO BE FREE OF BURRS & SHARP EDGES .005 MAX BREAK.
4. EXTERNAL THREADS TO BE ROLLED OR SINGLE POINT.
5. DIAMETERS TO BE CONCENTRIC WITHIN .003 TIR.

QUALITY SYMBOLS
MAJOR
CRITICAL

GENERAL TOLERANCES: (UNLESS SPECIFIED)	
4 PLACES	± .0005
3 PLACES	± .005
2 PLACES	± .01
1 PLACE	± .1
ANGULAR: ± 1/2°	

SCALE	DESIGN UNITS
EDC 12/10/97	<input type="checkbox"/> mm <input checked="" type="checkbox"/> INCH
CHECKED BY & DATE	THIRD ANGLE PROJECTION
DHG 01/09/98	<input type="checkbox"/> mm <input checked="" type="checkbox"/> INCH
APPROVED BY & DATE	
GMH 01/09/98	

TITLE:		DIMENSIONS:		SHT		REV	
SMA JACK, RECEPTACLE, 4 HOLE		<input type="checkbox"/> mm <input checked="" type="checkbox"/> INCH		1		A	
FLANGE MOUNT, ACCEPTS .012 DIA PIN		<input type="checkbox"/> mm <input checked="" type="checkbox"/> INCH		REVISE ON		CAD ONLY	
SMA-JR/F		mm ONLY		1		A	
MATERIAL NO. SEE NOTE		DRAWING NO. SD-73251-016		SHEET NO. 1 of 1		SIZE B	

UBORD.DGN REV A 96/06/12 LEVEL 4