

Excellent Integrated System Limited

Stocking Distributor

Click to view price, real time Inventory, Delivery & Lifecycle Information:

[Molex Connector Corporation](#)
[0732510180](#)

For any questions, you can email us directly:

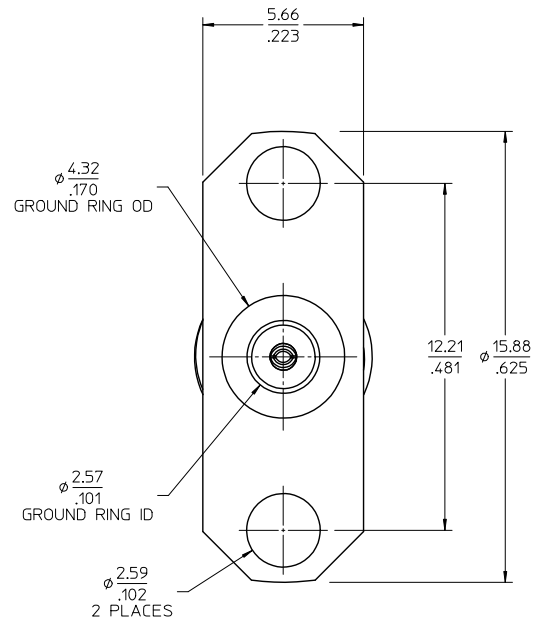
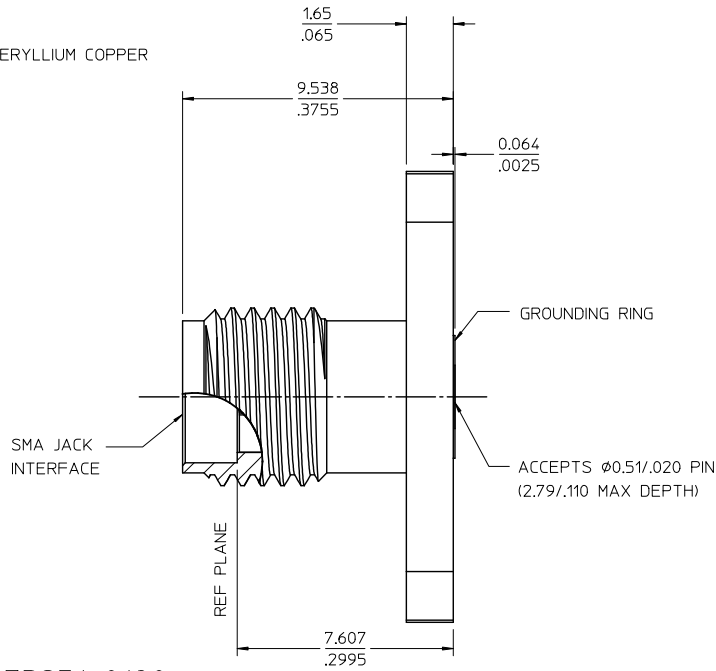
sales@integrated-circuit.com

MATERIALS AND FINISHES:

BODY: STAINLESS STEEL
PASSIVATED

CENTER CONTACT: BERYLLIUM COPPER
PLATED GOLD

INSULATOR: TEFLON



PART # 73251-0180

PS-89675-2910	ELECTRO/MECH PERFORM
MIL-STD-348A, FIG. 310.2	INTERFACE
SPECIFICATION	DESCRIPTION

CHG: MOVED TO WM; ADDED RING DIM	EC NO: URF2010-0177 2009/09/24 DRWN: JLEEDZ 2009/09/24 CHKD: SSS 2009/09/24 APPR: JMENER 2009/09/24	QUALITY SYMBOLS ▽=0 ▽=0	GENERAL TOLERANCES (UNLESS SPECIFIED)		DIMENSION STYLE	SCALE	DESIGN UNITS	THIRD ANGLE PROJECTION
			mm	INCH	MM/IN	METRIC		
			4 PLACES ±	±	DRAWN BY	DATE	TITLE	
			3 PLACES ±	±	EDC	1997/12/10	SMA, JACK RECEPTACLE 2 HOLE FLANGE MOUNT SMA-JR/F	
2 PLACES ±	±	CHECKED BY	DATE	MOLEX INCORPORATED				
1 PLACE ±	±	DHG	1997/12/10	MATERIAL NO. 732510180				
ANGULAR ± 2°		APPROVED BY	DATE	DOCUMENT NO. SD-73251-018				
DRAFT WHERE APPLICABLE MUST REMAIN WITHIN DIMENSIONS		GMH	1997/12/10	SHEET NO. 1 OF 1				
		THIS DRAWING CONTAINS INFORMATION THAT IS PROPRIETARY TO MOLEX INCORPORATED AND SHOULD NOT BE USED WITHOUT WRITTEN PERMISSION						