

Excellent Integrated System Limited

Stocking Distributor

Click to view price, real time Inventory, Delivery & Lifecycle Information:

[Molex Connector Corporation](#)
[0732510270](#)

For any questions, you can email us directly:

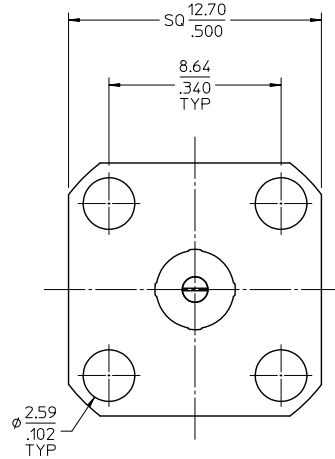
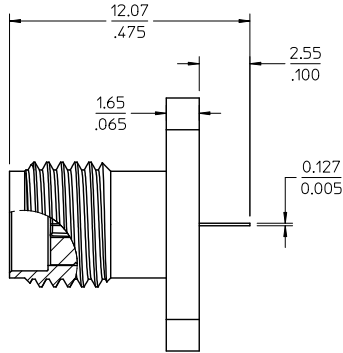
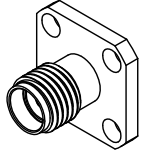
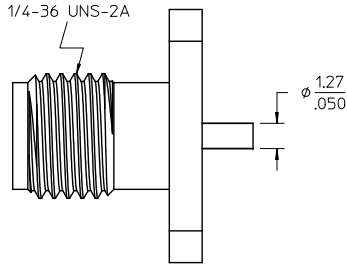
sales@integrated-circuit.com

MATERIALS AND FINISHES

BODY STAINLESS STEEL PER ASTM-582
PASSIVATED

CONTACT BERYLLIUM COPPER PER ASTM-B196
PLATED GOLD

INSULATOR TEFLON PER ASTM-D-1457



PS-89675-2820	ELEC/MECH PERFORMANCE
MIL-STD-348A, FIG. 310.2	INTERFACE
SPECIFICATION	DESCRIPTION

73251-0271	73251-0270 BY TRAY (20 CAV.)
73251-0270	BY TRAY (80 CAV.)
PART NO.	PACKAGING

CHG:	ADDED TOP VIEW TO SPECIFY THE SIZE OF CENTER CONTACT PER RF12-E072
EC NO:	URF2012-0619
DRWGR:	2012/04/19
CHKD:	2012/05/11
APPR:	DESCRIPTION
REV	A3

QUALITY SYMBOLS	GENERAL TOLERANCES (UNLESS SPECIFIED)	DIMENSION STYLE	SCALE	DESIGN UNITS	THIRD ANGLE PROJECTION
∇=0	mm INCH	MM/IN	3.5:1	METRIC	
∇=0	4 PLACES ± --- ± ---	DRAWN BY	DATE	TITLE	
∇=0	3 PLACES ± --- ± ---	EDC	2000/02/10	SMA JACK TAB TERMINAL	
∇=0	2 PLACES ± --- ± ---	CHECKED BY	DATE	4 HOLES FLANGE SQ.500	
∇=0	1 PLACE ± --- ± ---	DHG	2000/02/10	SMA-J/PCB	
∇=0	0 PLACE ± --- ± ---	APPROVED BY	DATE	molex	
		GMH	2000/02/10	MATERIAL NO.	DOCUMENT NO.
				SD-73251-027	SHEET NO.
					1 OF 1

ANGULAR ± 2 °	MATERIAL NO.	DOCUMENT NO.	SHEET NO.
DRAFT WHERE APPLICABLE MUST REMAIN WITHIN DIMENSIONS	SEE TABLE	SD-73251-027	1 OF 1
THIS DRAWING CONTAINS INFORMATION THAT IS PROPRIETARY TO MOLEX INCORPORATED AND SHOULD NOT BE USED WITHOUT WRITTEN PERMISSION			