

## Excellent Integrated System Limited

Stocking Distributor

Click to view price, real time Inventory, Delivery & Lifecycle Information:

[Molex Connector Corporation](#)  
[0732512830](#)

For any questions, you can email us directly:

[sales@integrated-circuit.com](mailto:sales@integrated-circuit.com)

MATERIALS AND FINISHES

J BODY STAINLESS STEEL  
PASSIVATED

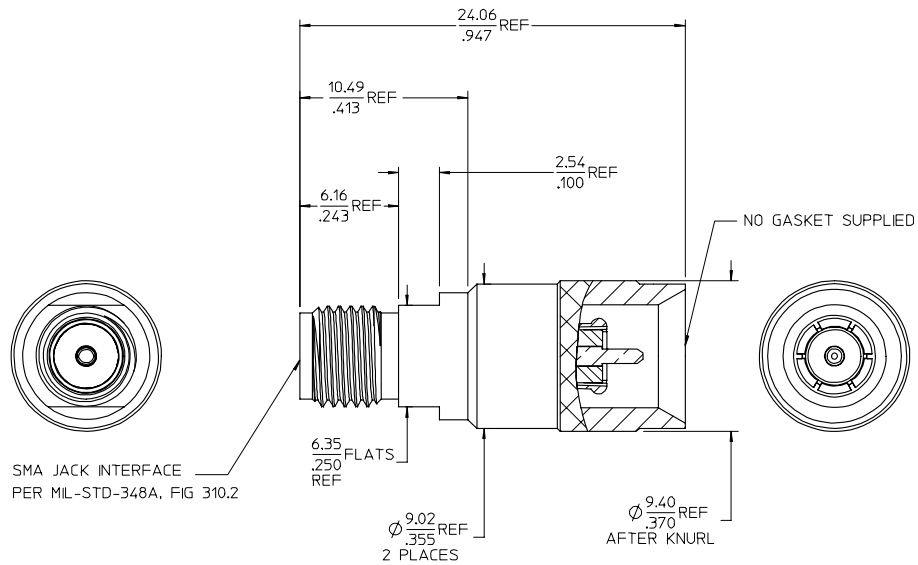
I CENTER CONTACT  
PLATED GOLD

H OUTER CONTACT BERYLLIUM COPPER  
PLATED NICKEL

G INSULATOR TEFLON

ELECTRICAL PERFORMANCE:

F VSWR: 1.30 MAX TO 18 GHZ



PART # 73251-2830

|   |                               |                                       |                        |                                    |                       |  |                        |
|---|-------------------------------|---------------------------------------|------------------------|------------------------------------|-----------------------|--|------------------------|
| CHG: NEW RELEASE<br>EC NO: URF2007-0545<br>DRW: TELAHARY 2007/10/28<br>CHK: KOSHAH 2007/10/28<br>APPR: JMWENER 2007/10/28 | QUALITY SYMBOLS<br>▽=0<br>▽=0 | GENERAL TOLERANCES (UNLESS SPECIFIED) |                        | MM/IN                              | SCALE                 | DESIGN UNITS   | THIRD ANGLE PROJECTION |
|   |                               | 4 PLACES ± .005 ± .005                | 3 PLACES ± .005 ± .005 | 2 PLACES ± .005 ± .005             | 1 PLACE ± .005 ± .005 | MM/IN  | METRIC                 |
| DRAWN BY DATE<br>TEF 2005/12/27   |                               | CHECKED BY DATE<br>SSS 2005/12/27     |                        | APPROVED BY DATE<br>JDW 2005/12/27 |                       | TITLE<br>SMA JACK TO SMA PLUG<br>MODIFIED ADAPTER 50 OHM<br>SMA-P/J/AD |                        |
| DRAFT WHERE APPLICABLE<br>MUST REMAIN<br>WITHIN DIMENSIONS  |                               | MATERIAL NO.<br>732512830             |                        | DOCUMENT NO.<br>SD-73251-283       |                       | MOLEX INCORPORATED<br>SHEET NO.<br>1 OF 1                              |                        |